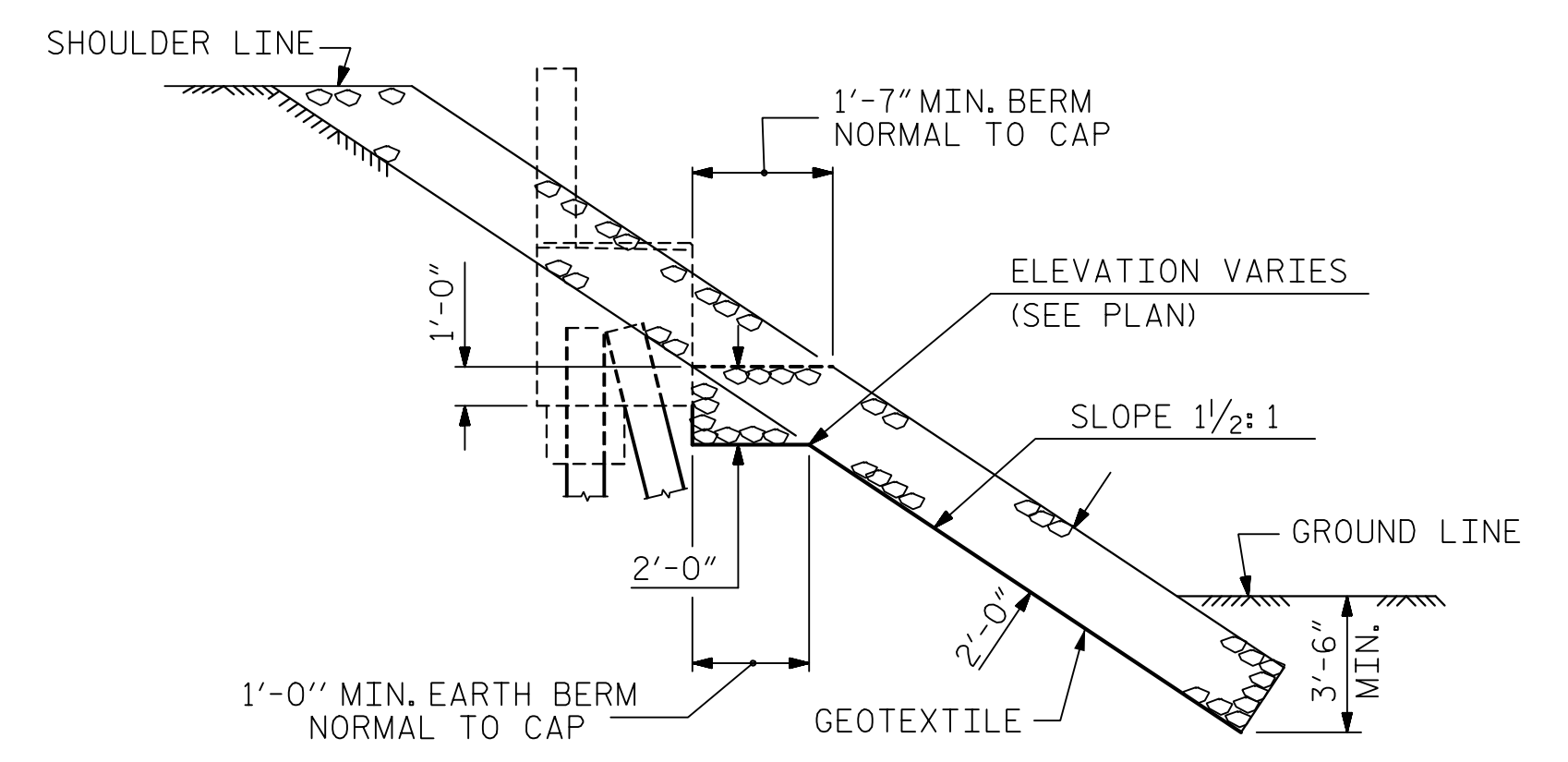
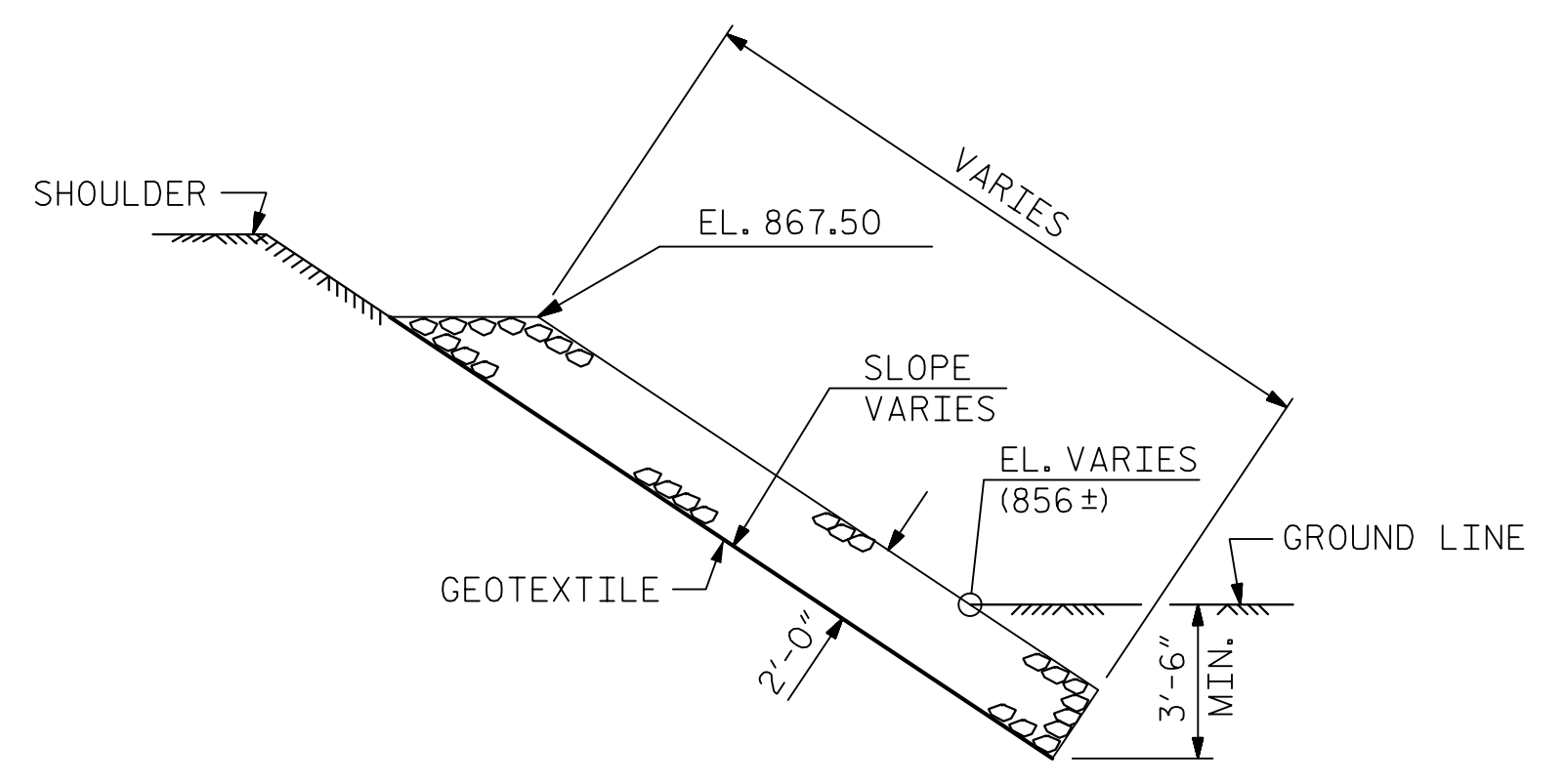


PLAN OF RIP RAP

ESTIMATED QUANTITIES		
BRIDGE @ STA. POC 15+25.00 -L-	RIP RAP CLASS II (2'-0" THICK)	GEOTEXTILE FOR DRAINAGE
	TONS	SQUARE YARDS
END BENT 1	411	456
END BENT 2	608	676



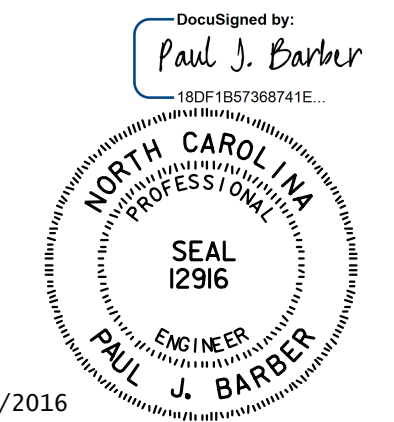
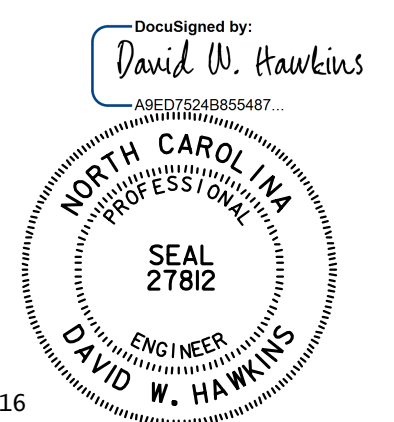
SECTION H-H



SECTION C-C

PROJECT NO. B-4811  
RUTHERFORD COUNTY  
 STATION: POC 15+25.00 -L-  
 SHEET 1 OF 1

STATE OF NORTH CAROLINA  
 DEPARTMENT OF TRANSPORTATION  
 RALEIGH  
 STANDARD  
 = RIP RAP DETAILS =



ASSEMBLED BY : M. WRIGHT	DATE : 1/15
CHECKED BY : P. BARBER	DATE : 3/15
DRAWN BY : REK 1/84	REV. 5/1/06R TLA/GM
CHECKED BY : RDU 1/84	REV. 10/1/11 MAA/GM
	REV. 12/2/11 MAA/GM

**DOCUMENT NOT CONSIDERED FINAL  
 UNLESS ALL SIGNATURES COMPLETED**

<b>HNTB</b>		HNTB NORTH CAROLINA, P.C.	
NC License No. C-1554		343 E. Six Forks Rd., Suite 200, Raleigh, N.C. 27609	
DRAWN BY : M. WRIGHT	DATE : 1/15	DWG. NO. 38	
CHECKED BY : P. BARBER	DATE : 1/2/15		

REVISIONS				SHEET NO.
NO.	BY:	DATE:	NO.	DATE:
1			3	
2			4	

TOTAL SHEETS: 42