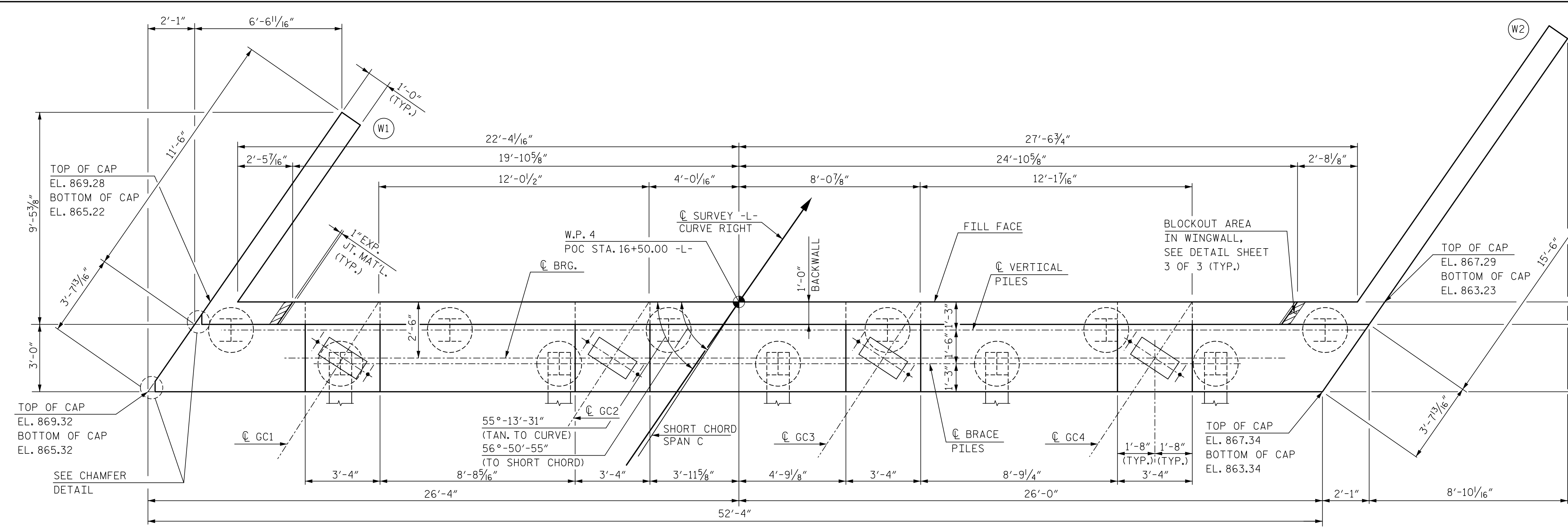
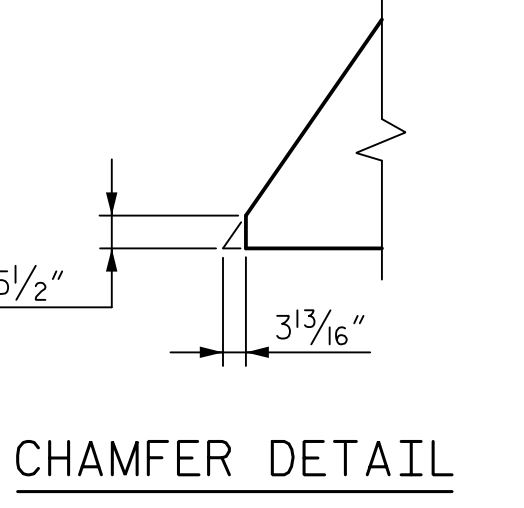


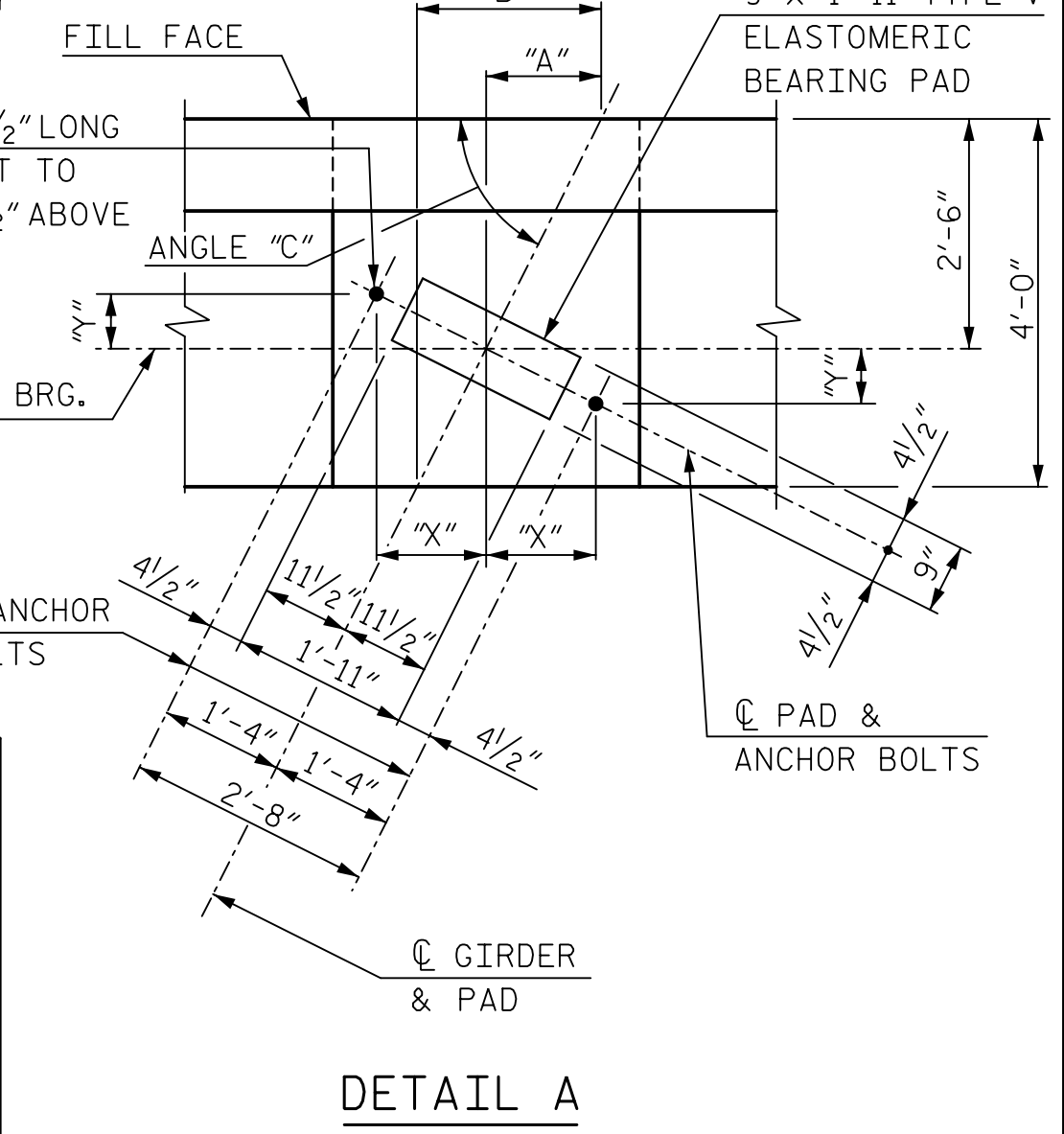
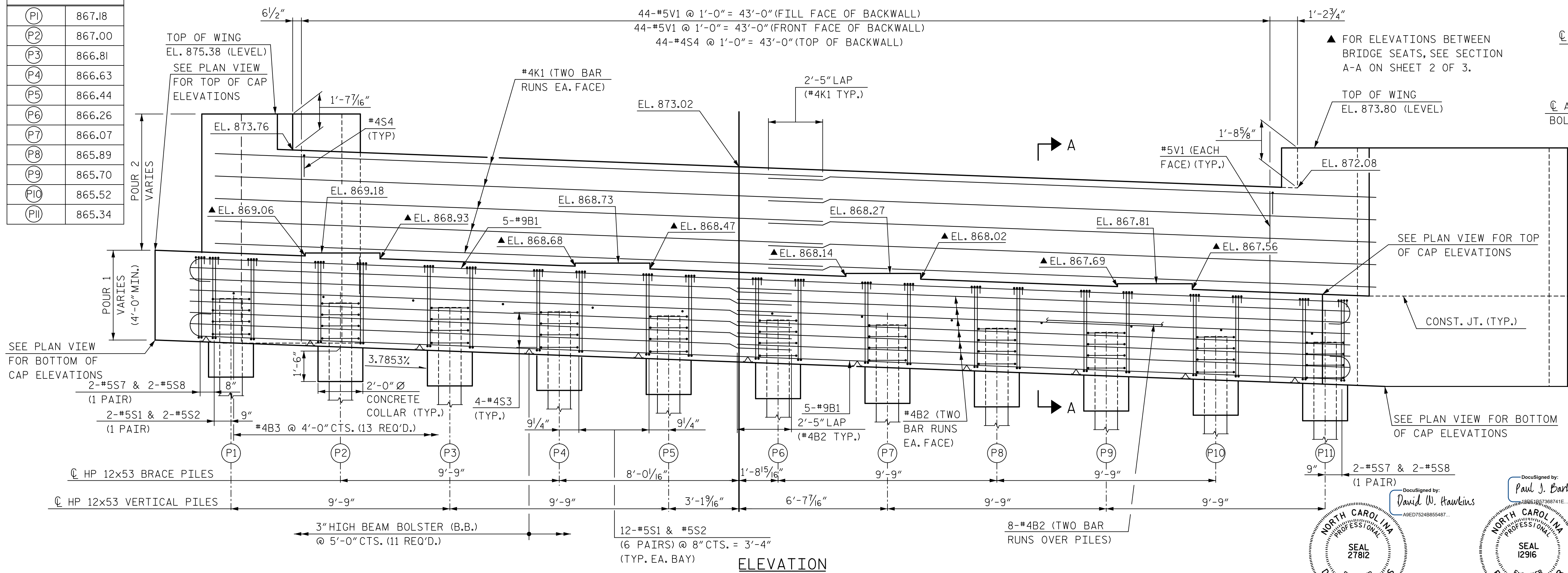
**NOTES:**  
 FOR NOTES AND PILE SPLICE DETAILS, SEE SHEET 3 OF 3.  
 FOR WINGWALL DETAILS AND SECTION A-A, SEE SHEET 2 OF 3.



GIRDER	"A"	"B"	ANGLE "C"	"X"	"Y"
GC1	1'-7 3/8"	2'-6 5/8"	57°-10'-31"	1'-1 1/8"	8 1/8"
GC2	1'-7 7/8"	2'-7 1/4"	56°-55'-51"	1'-1 1/8"	8 3/4"
GC3	1'-7 3/4"	2'-7 1/8"	56°-40'-56"	1'-1 3/8"	8 7/8"
GC4	1'-7 1/8"	2'-7 1/8"	56°-25'-48"	1'-1 5/8"	8 7/8"

**TOP OF PILE ELEVATIONS**

(P1)	867.18
(P2)	867.00
(P3)	866.81
(P4)	866.63
(P5)	866.44
(P6)	866.26
(P7)	866.07
(P8)	865.89
(P9)	865.70
(P10)	865.52
(P11)	865.34



PROJECT NO. B-4811  
 RUTHERFORD COUNTY  
 STATION: POC 15+25.00 -L-

SHEET 1 OF 3

STATE OF NORTH CAROLINA  
 DEPARTMENT OF TRANSPORTATION  
 RALEIGH

**SUBSTRUCTURE**  
**END BENT 2**

DocuSigned by:  
 David W. Hawkins  
 ABED75248B55487

DocuSigned by:  
 Paul J. Barber  
 18B56B7388741E...

**SEAL 27812**  
 ENGINEER  
 DAVID W. HAWKINS  
 1/29/2016

**SEAL 12916**  
 ENGINEER  
 PAUL J. BARBER  
 1/29/2016

**HNTB** HNTB NORTH CAROLINA, P.C.  
 NC License No. C-1554  
 343 E. Six Forks Rd., Suite 200, Raleigh, N.C. 27609

DRAWN BY: M. WRIGHT DATE: 11/14  
 CHECKED BY: D. HAWKINS DATE: 4/15

DWG. NO. 35

**DOCUMENT NOT CONSIDERED FINAL  
 UNLESS ALL SIGNATURES COMPLETED**

REVISIONS						SHEET NO. S01-35
NO.	BY	DATE	NO.	BY	DATE	
1			3			TOTAL SHEETS 42
2			4			