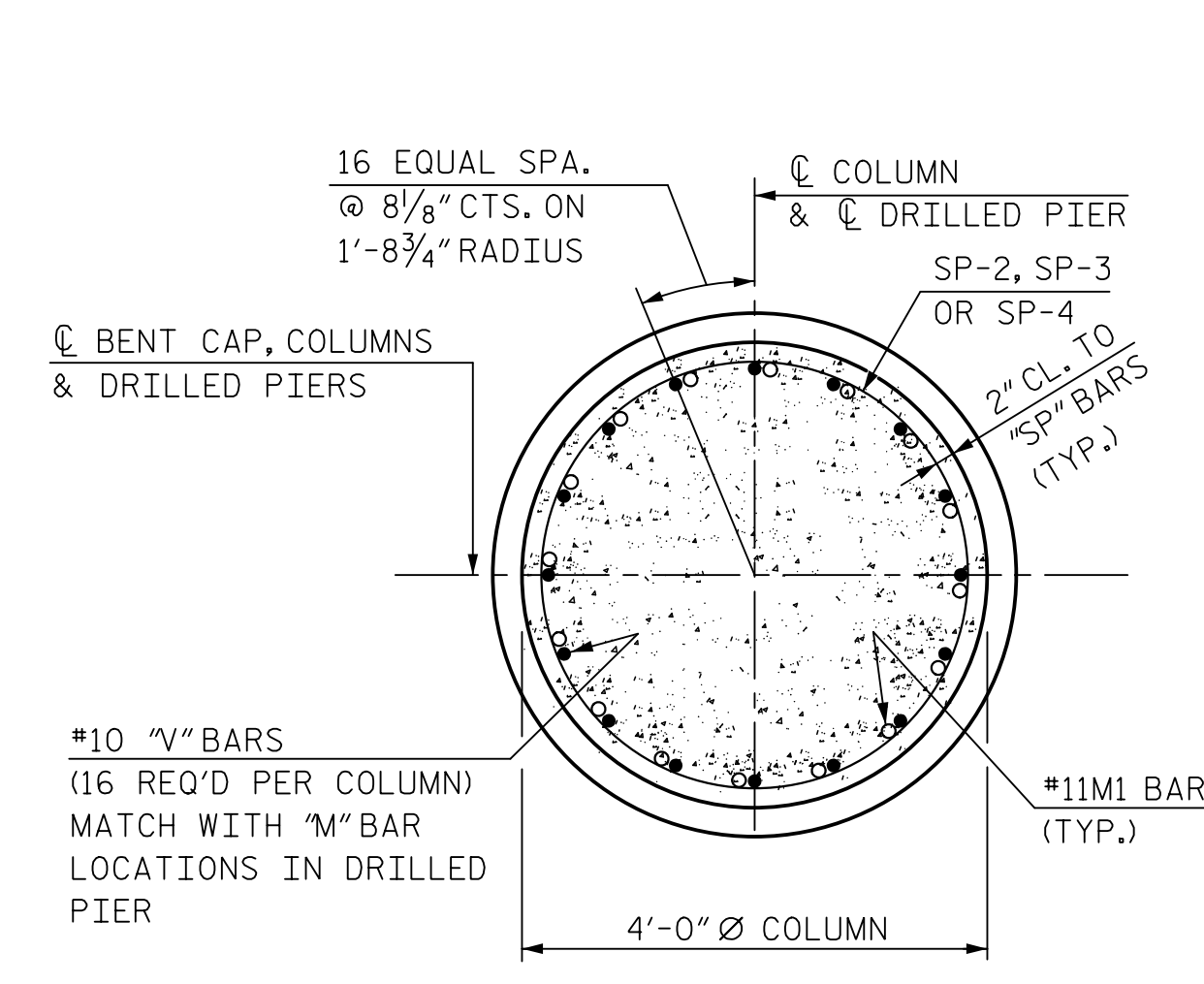


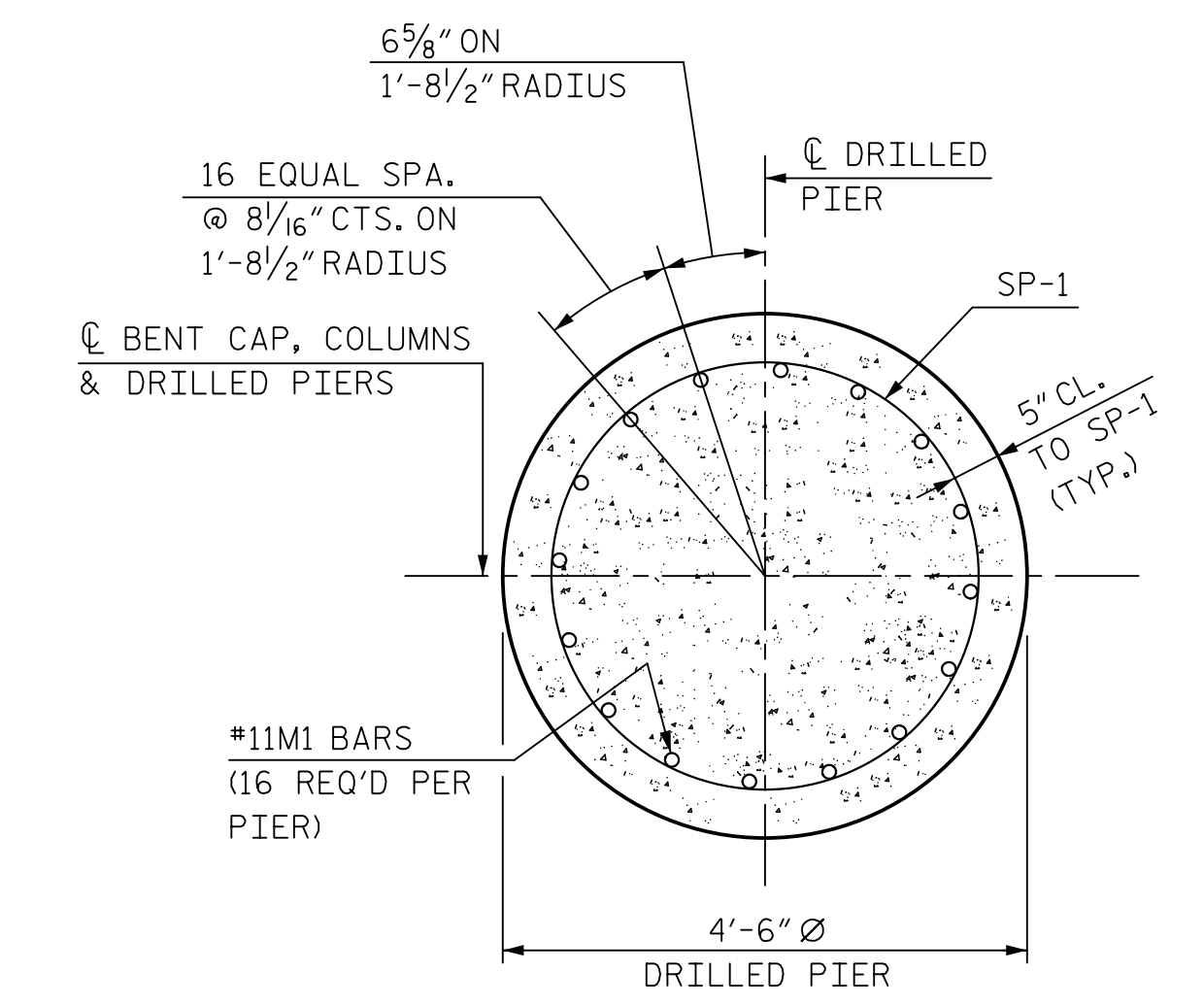
SECTION A-A

VIEW B-B

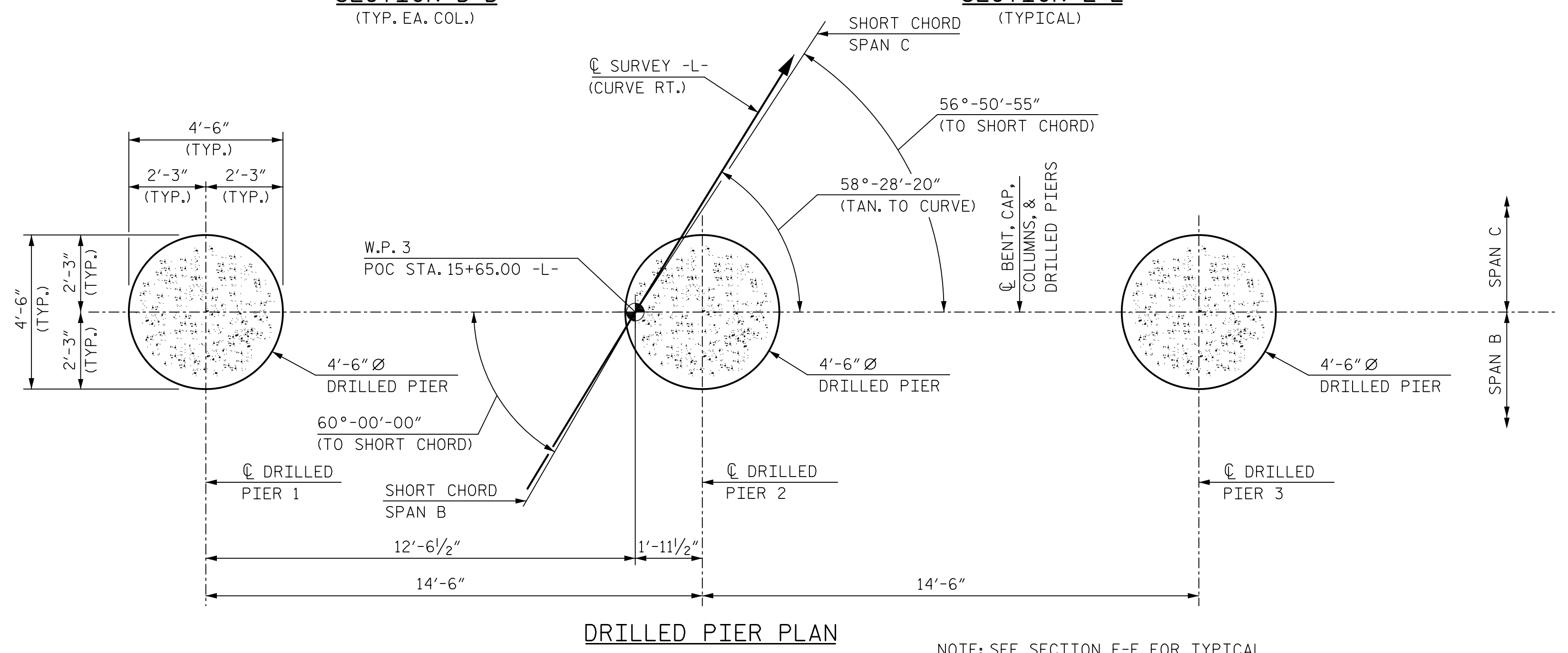
SECTION C-C



SECTION D-D
(TYP. EA. COL.)

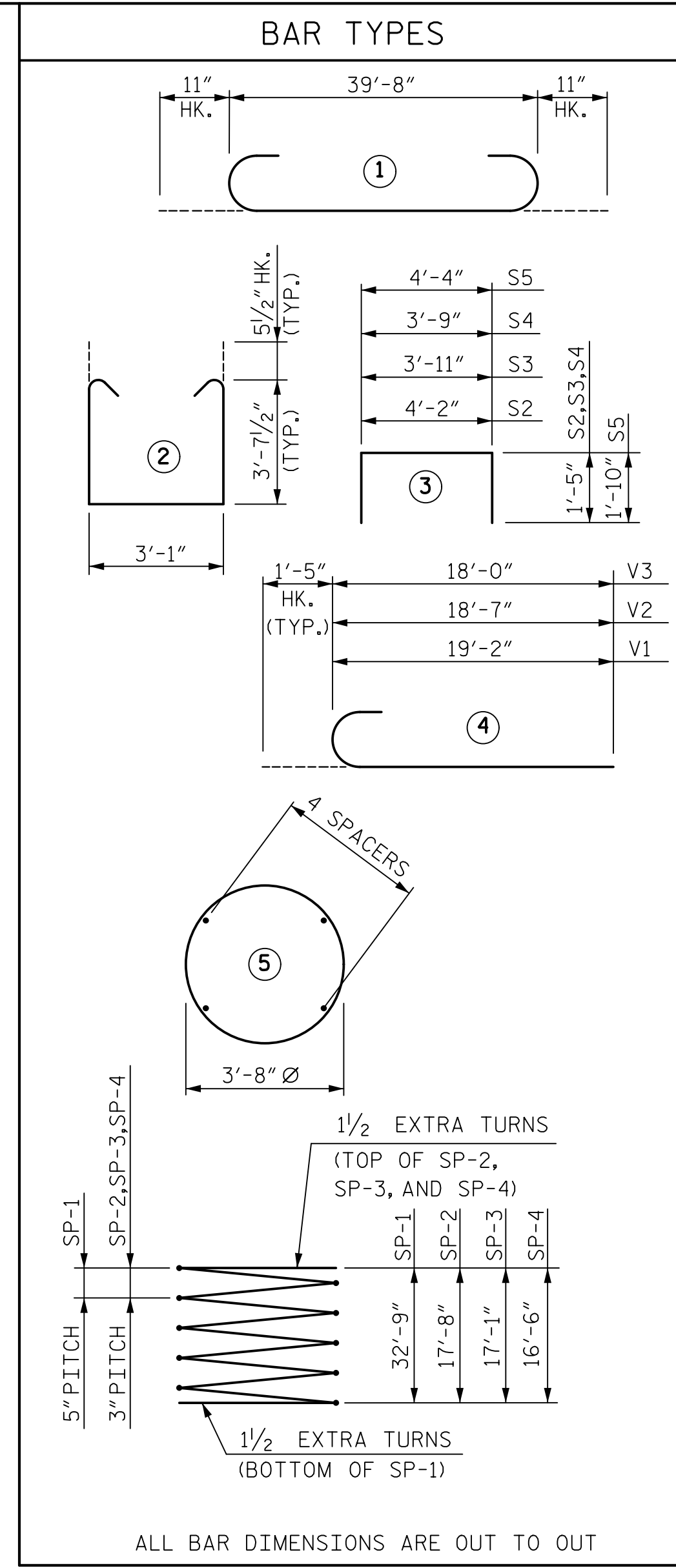


SECTION E-E
(TYPICAL)



DRILLED PIER PLAN

NOTE: SEE SECTION E-E FOR TYPICAL DRILLED PIER REINFORCING.



NOTE: THE CONTRACTOR'S ATTENTION IS CALLED TO THE FACT THAT THE LONGITUDINAL REINFORCEMENT FOR THE DRILLED PIERS IS DETAILED WITH 3 FEET OF EXTRA LENGTH.

BILL OF REINFORCING					
BENT 2					
BAR	NO.	SIZE	TYPE	LENGTH	WEIGHT
B1	10	8	STR.	39'-8"	1,059
B2	20	4	STR.	21'-1"	282
B3	8	8	1	41'-6"	886
B4	32	4	STR.	4'-7"	98
M1	48	11	STR.	41'-9"	10,647
S1	84	5	2	11'-3"	986
S2	8	4	3	7'-0"	37
S3	6	4	3	6'-9"	27
S4	6	4	3	6'-7"	26
S5	36	4	3	8'-0"	192
V1	16	10	4	20'-7"	1,417
V2	16	10	4	20'-0"	1,377
V3	16	10	4	19'-5"	1,337
SP-1	3	*	5	912'-3"	2,854
SP-2	1	**	5	822'-1"	549
SP-3	1	**	5	795'-6"	531
SP-4	1	**	5	768'-11"	514

QUANTITIES		
REINFORCING STEEL	LBS.	18,371
SPIRAL COLUMN REINFORCING STEEL	LBS.	4,448
CLASS A CONCRETE		
COLUMN POUR 2	CU. YDS.	23.5
CAP POUR 3	CU. YDS.	29.1
TOTAL	CU. YDS.	52.6
DRILLED PIER CONCRETE POUR 1	CU. YDS.	58.8
4'-6" Ø DRILLED PIERS, IN SOIL	LIN. FT.	63.8
4'-6" Ø DRILLED PIERS, NOT IN SOIL	LIN. FT.	36.0
PERMANENT STEEL CASING FOR 4'-6" Ø DRILLED PIER	LIN. FT.	54.2
SPT TESTING	EA.	2

* THE SP-1 SPIRAL REINFORCING STEEL SHALL BE W31 OR D31 COLD DRAWN WIRE OR #5 PLAIN OR DEFORMED BAR.
 ** THE SP-2, SP-3, AND SP-4 SPIRAL REINFORCING STEEL SHALL BE W20 OR D20 COLD DRAWN WIRE OR #4 PLAIN OR DEFORMED BAR.

PROJECT NO. B-4811
 RUTHERFORD COUNTY
 STATION: POC 15+25.00 -L-

SHEET 2 OF 2

STATE OF NORTH CAROLINA
 DEPARTMENT OF TRANSPORTATION
 RALEIGH

SUBSTRUCTURE
 BENT 2

DocuSigned by:
 David W. Hawkins
 486275248855487

DocuSigned by:
 Paul J. Barber
 180F1B57368741E...

SEAL 27812
 ENGINEER
 DAVID W. HAWKINS

SEAL 12916
 ENGINEER
 PAUL J. BARBER

1/29/2016 1/29/2016

HNTB HNTB NORTH CAROLINA, P.C.
 NC License No. C-1554
 343 E. Six Forks Rd., Suite 200, Raleigh, N.C. 27609

DRAWN BY: M. WRIGHT DATE: 11/14
 CHECKED BY: D. RAGAN DATE: 2/15

DWG. NO. 34

REVISIONS					
NO.	BY	DATE	NO.	BY	DATE
1			3		
2			4		

SHEET NO. S01-34
 TOTAL SHEETS 42

DOCUMENT NOT CONSIDERED FINAL UNLESS ALL SIGNATURES COMPLETED