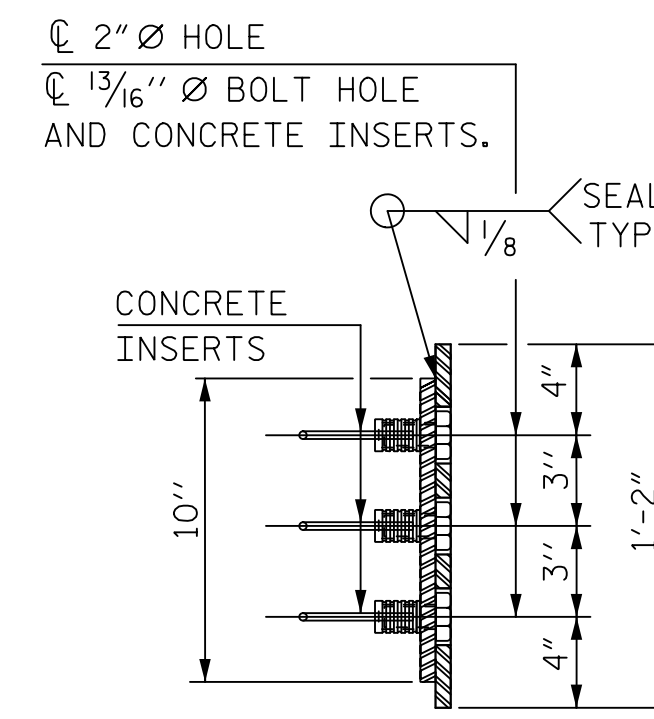
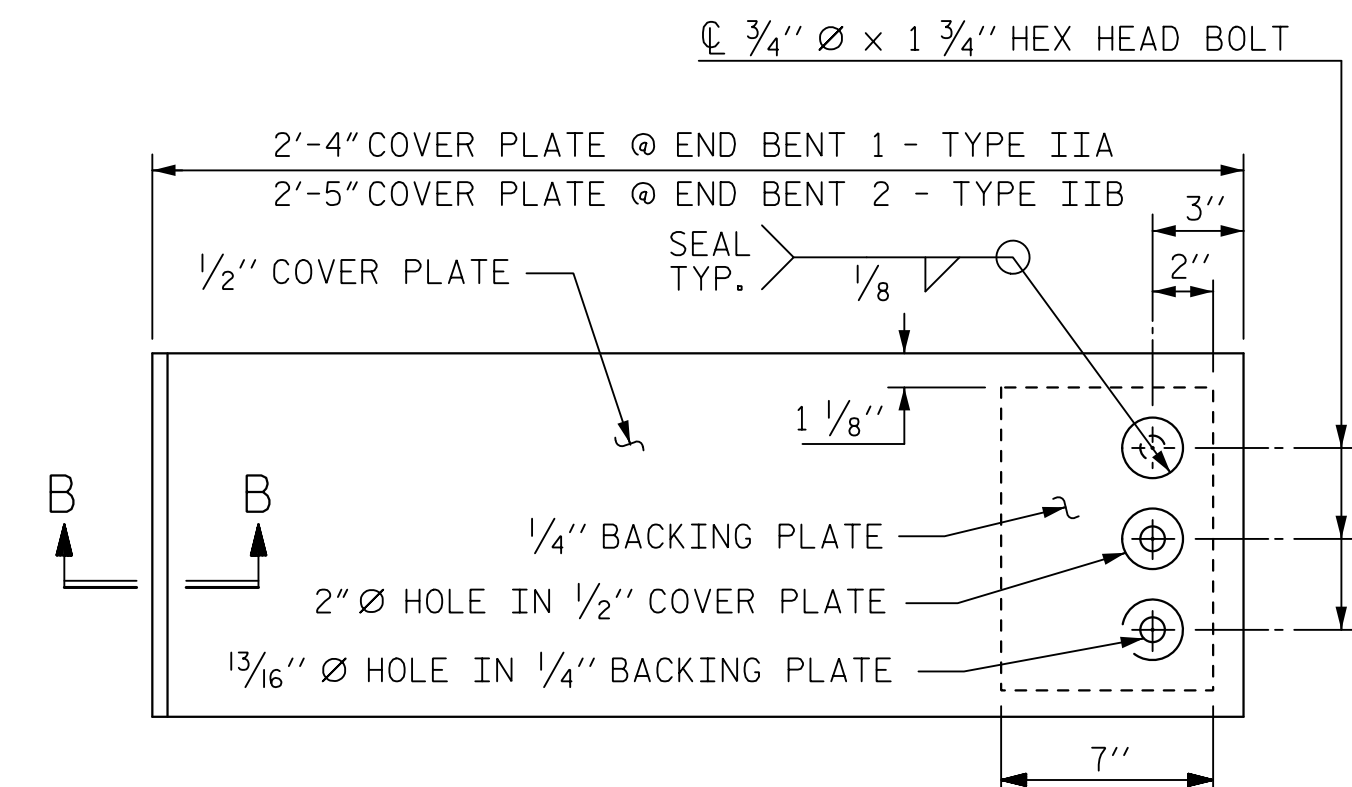


CONCRETE INSERT

* EACH WELDED ATTACHMENT OF WIRE TO FERRULE SHALL DEVELOP THE TENSILE STRENGTH OF THE WIRE.

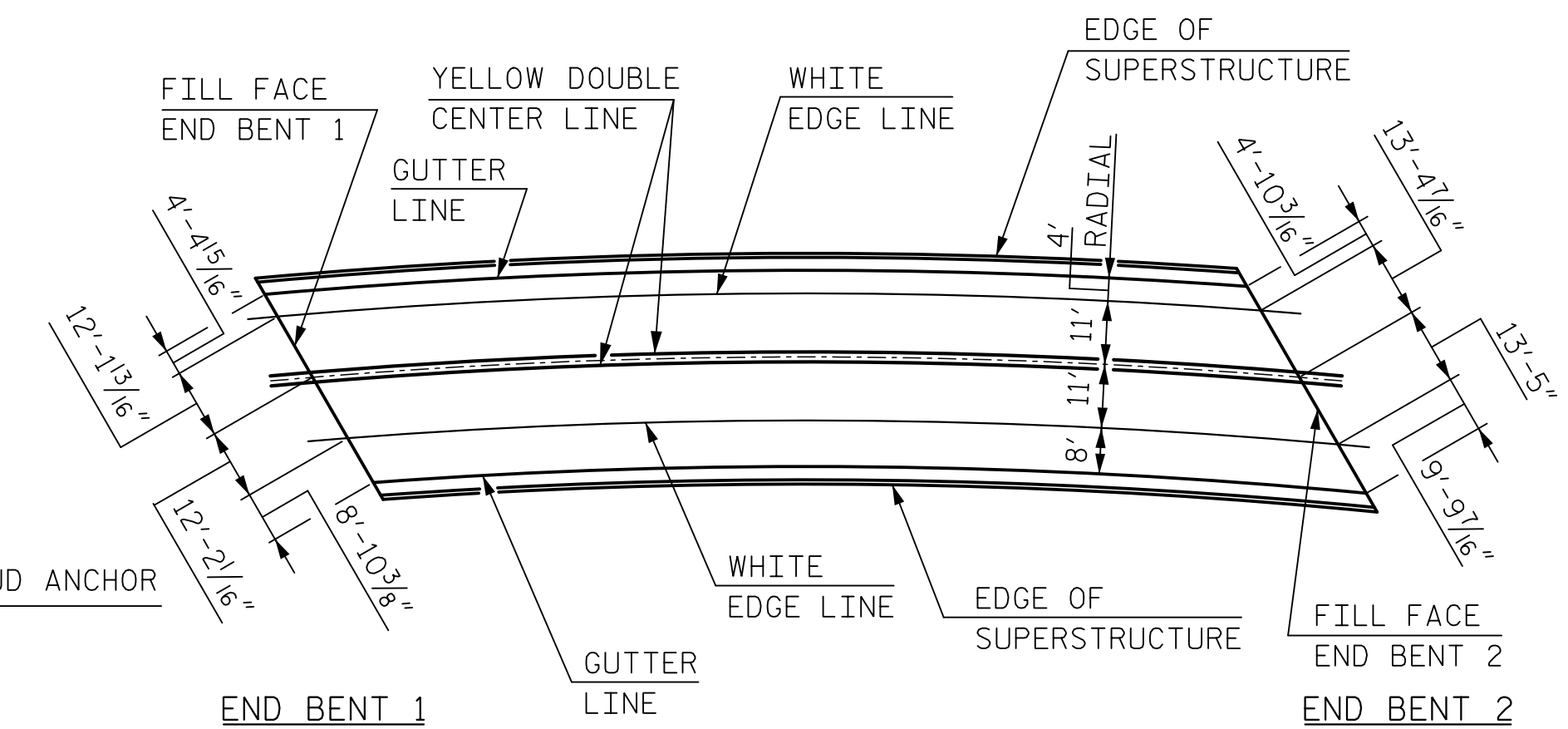


END VIEW

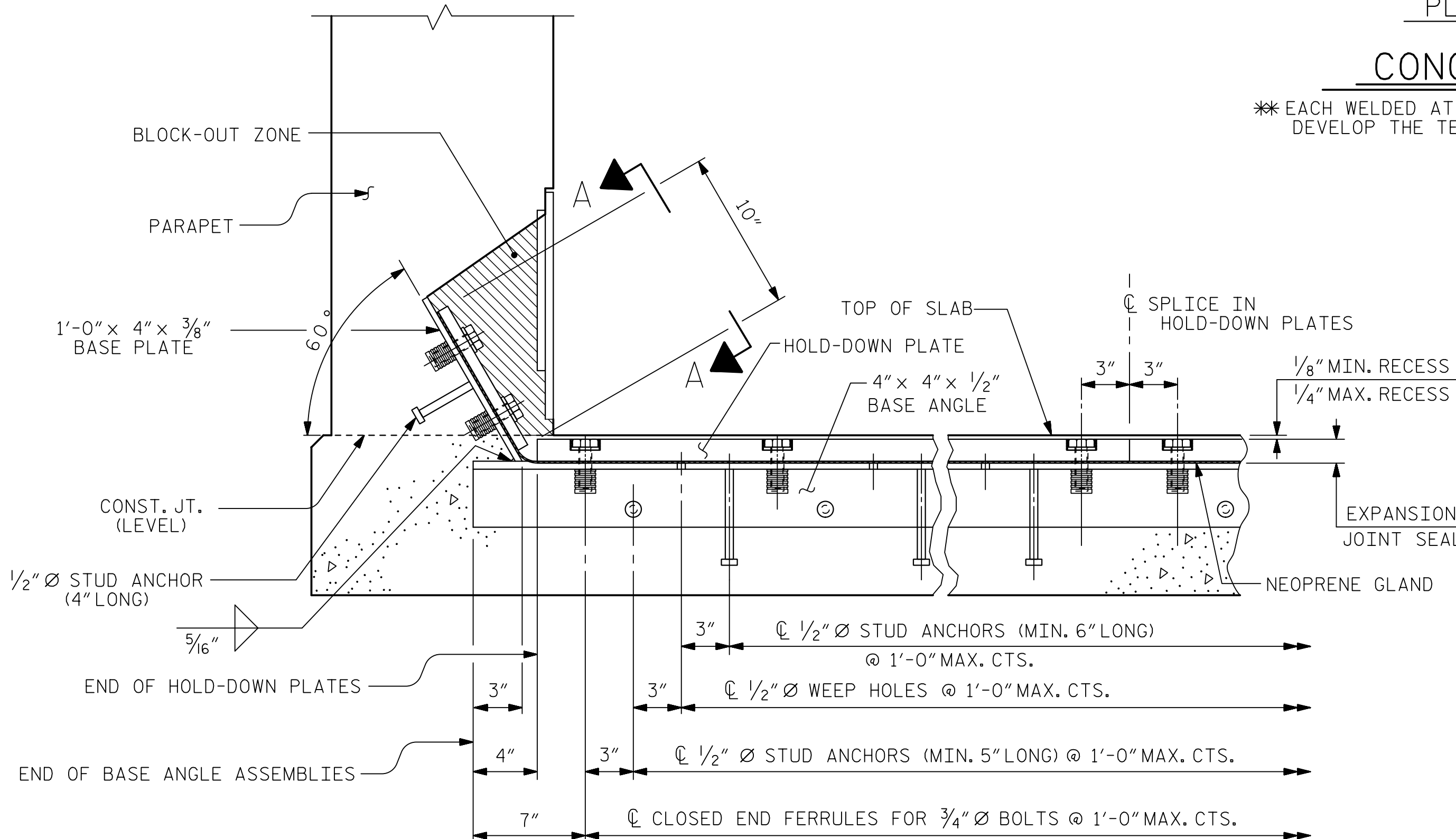


TYPE II - ELEVATION VIEW

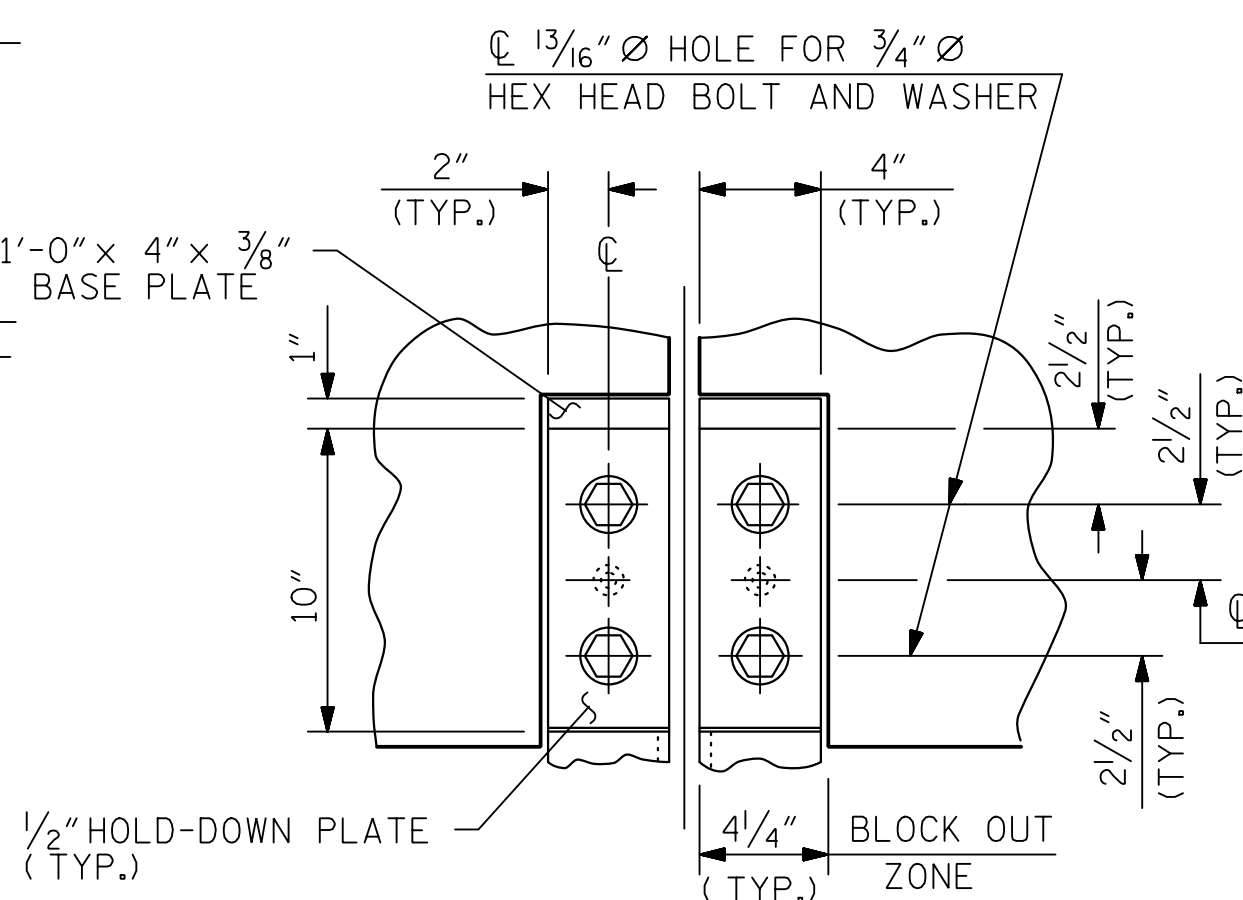
COVER PLATE DETAILS



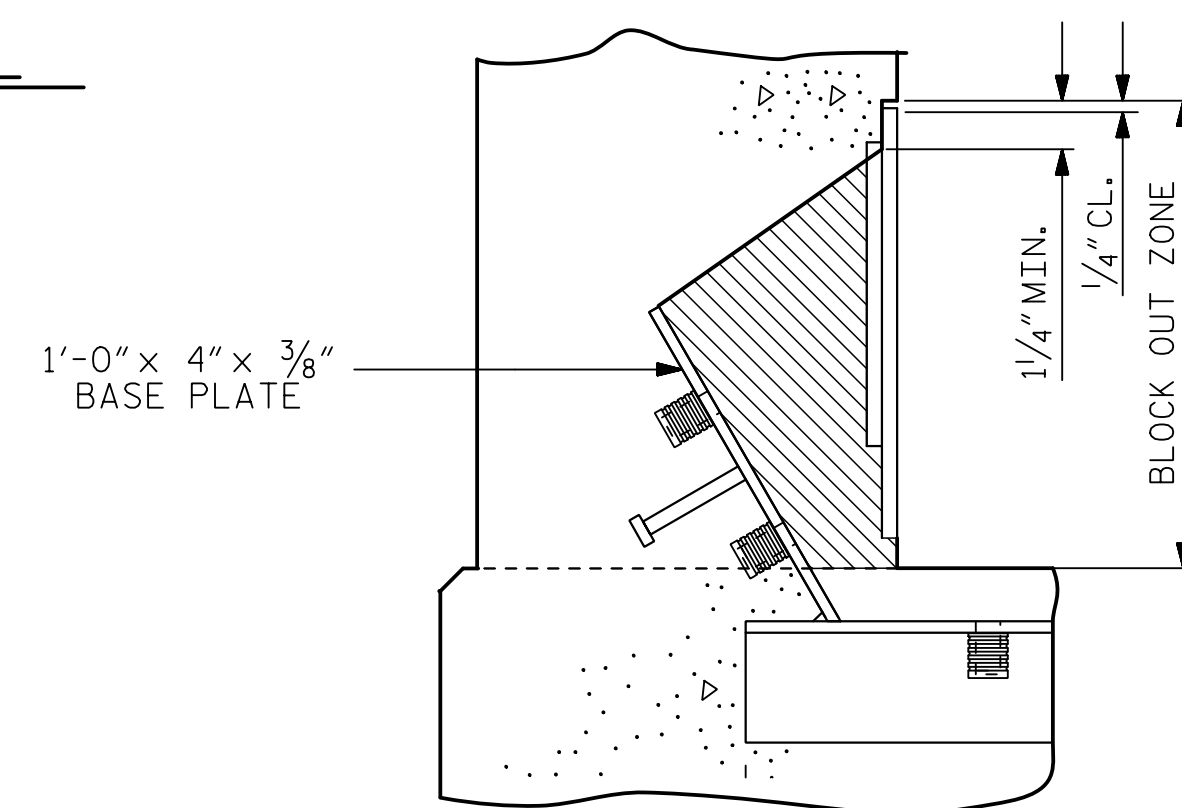
PAVEMENT MARKING ALIGNMENT



SECTION THRU RAIL NORMAL TO JOINT

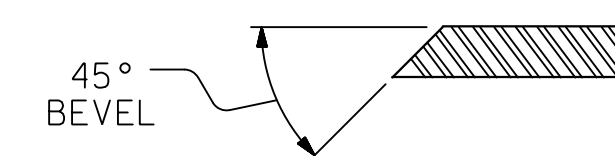


SECTION A - A

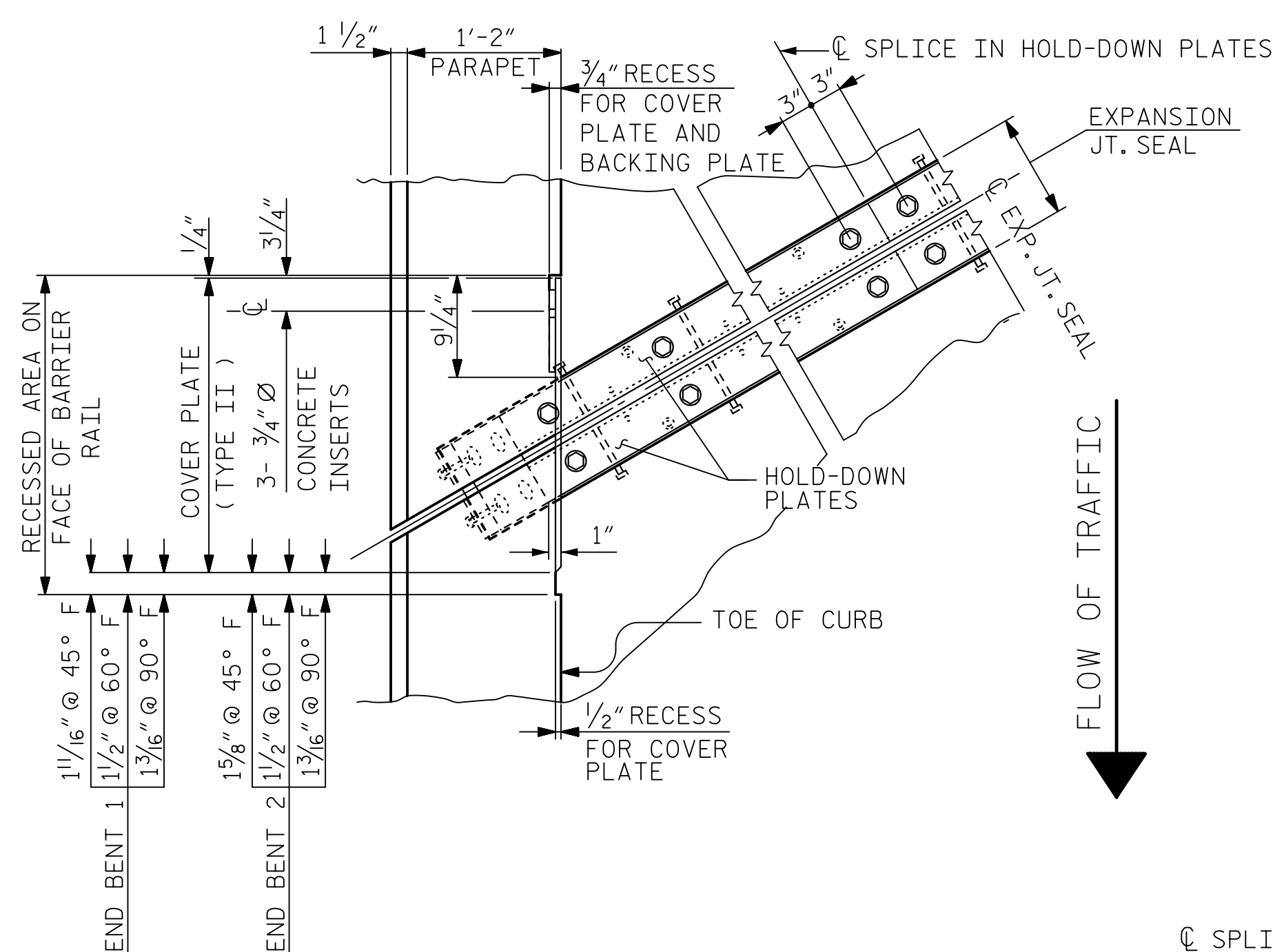


BLOCK OUT DETAIL

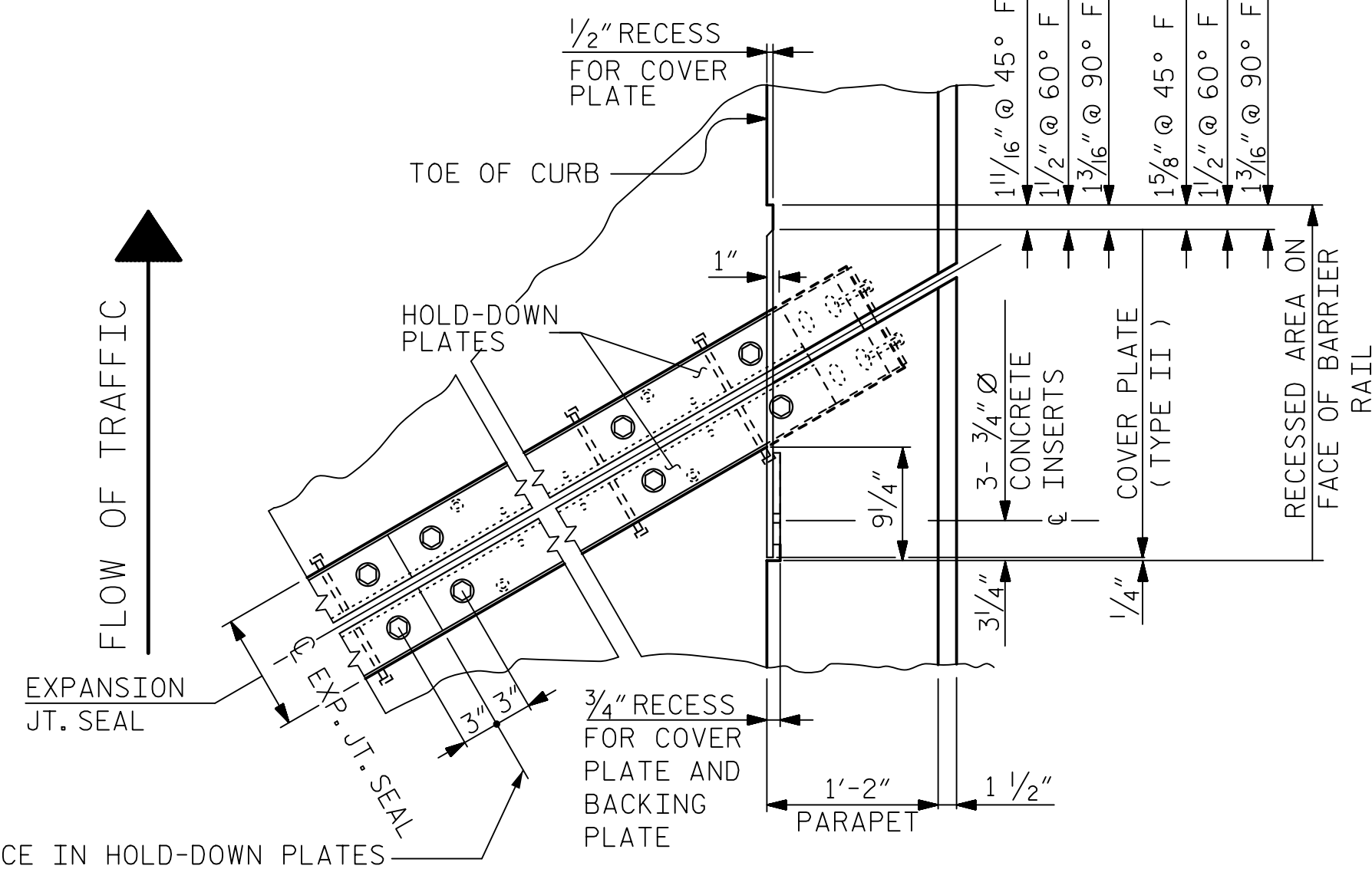
SEE "SECTION A - A" FOR OTHER DETAILS.



SECTION B - B



PLAN OF EXPANSION JOINT SEAL - LEFT SIDE



PLAN OF EXPANSION JOINT SEAL - RIGHT SIDE

PLAN OF EXPANSION JOINT SEAL

ASSEMBLED BY : J. BAYNE	DATE : 10/14
CHECKED BY : D. RAGAN	DATE : 2/15
DRAWN BY : REK 9/87	REV. 10/1/11
CHECKED BY : CRK 10/87	REV. 7/12
	REV. 6/13

MAA/GM
MAA/GM
MAA/GM

DocuSigned by:
David W. Hawkins
18DF1C838989487

SEAL 2782
DAVID W. HAWKINS
ENGINEER
1/29/2016

DocuSigned by:
Paul J. Barber
18DF1087388741E

SEAL 12916
PAUL J. BARBER
ENGINEER
1/29/2016

HNTB

HNTB NORTH CAROLINA, P.C.
NC License No. C-1554
343 E. Six Forks Rd., Suite 200, Raleigh, N.C. 27609

DRAWN BY : J. BAYNE
CHECKED BY : D. RAGAN

DATE : 10/14
DATE : 2/15

DWG. NO. 26

PROJECT NO. B-4811
RUTHERFORD COUNTY
STATION: POC 15+25.00 -L-

SHEET 2 OF 2
STATE OF NORTH CAROLINA
DEPARTMENT OF TRANSPORTATION
RALEIGH
STANDARD
EXPANSION JOINT SEAL DETAILS
FOR BARRIER RAIL

REVISIONS					SHEET NO.
NO.	BY:	DATE:	NO.	DATE:	S01-26
1			3		TOTAL SHEETS 42
2			4		

DOCUMENT NOT CONSIDERED FINAL UNLESS ALL SIGNATURES COMPLETED