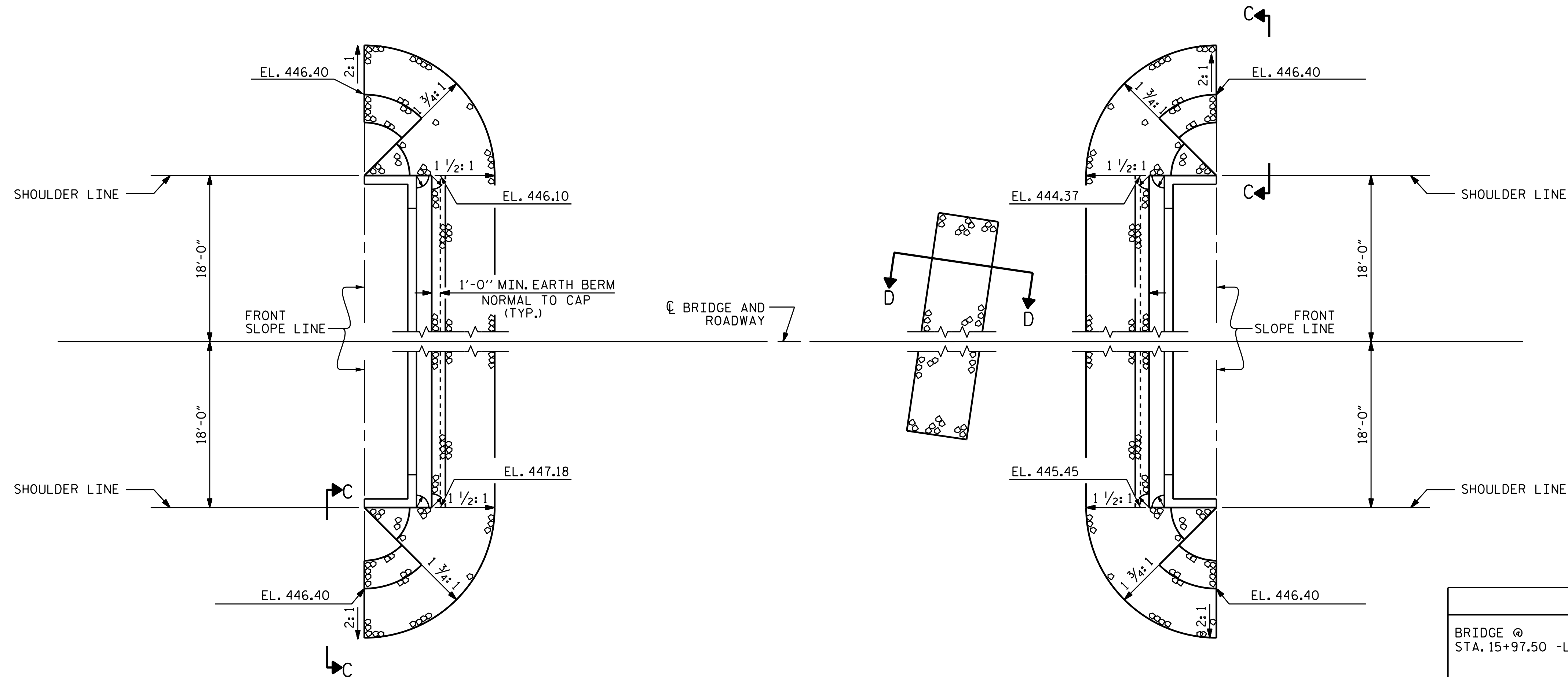
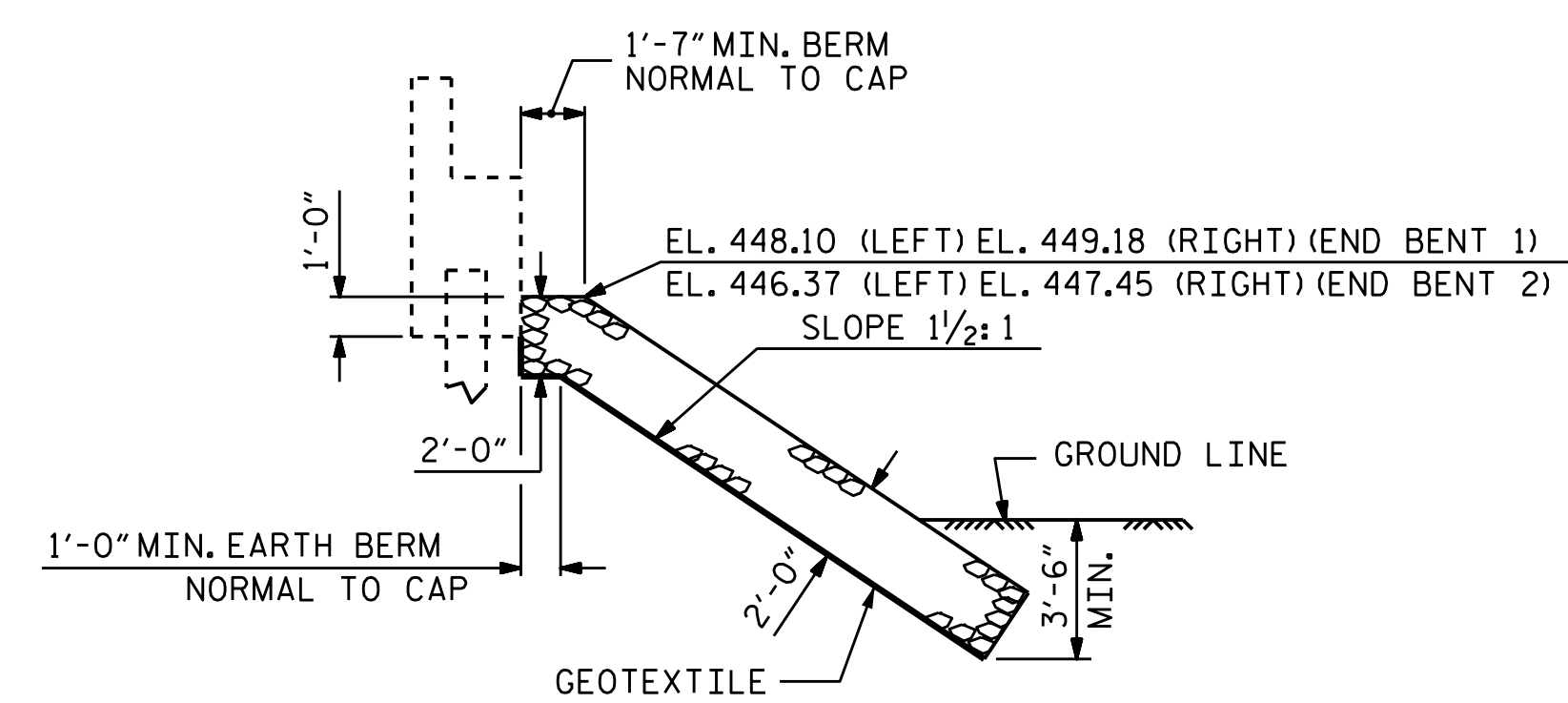


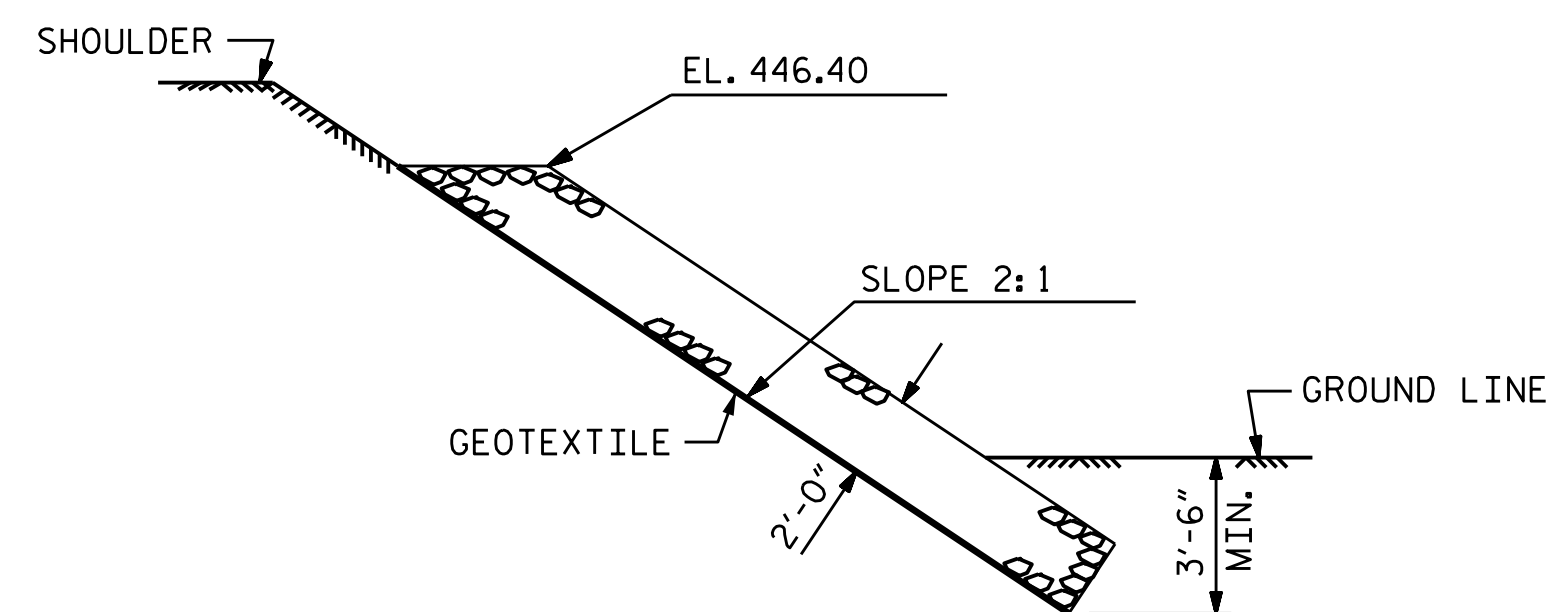
NOTES :
FOR BERM WIDTH DIMENSIONS, SEE GENERAL DRAWING.



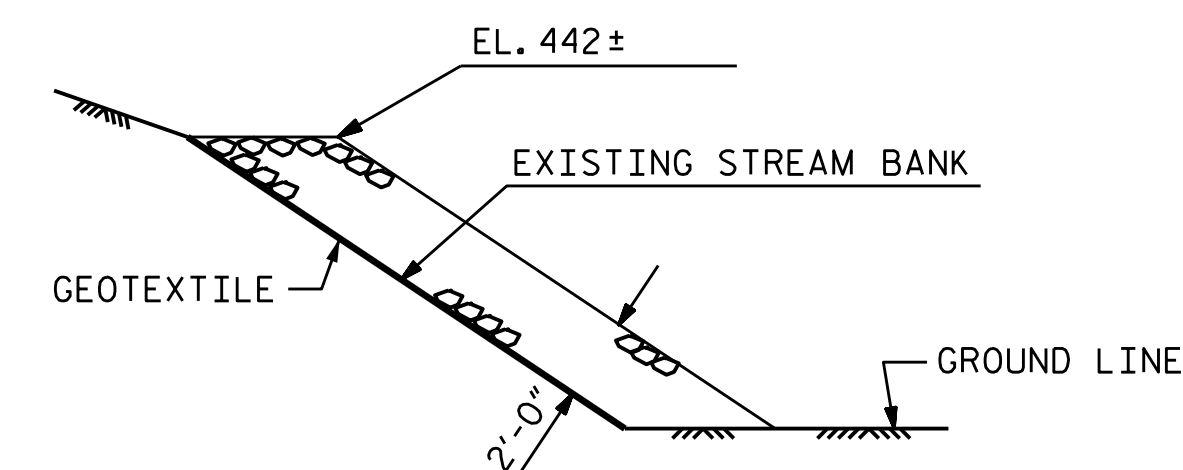
ESTIMATED QUANTITIES		
BRIDGE @ STA. 15+97.50 -L-	RIP RAP CLASS II (2'-0" THICK)	GEOTEXTILE FOR DRAINAGE
	TONS	SQUARE YARDS
END BENT 1	160	180
END BENT 2	160	180



SECTION
BERM RIP RAPPED

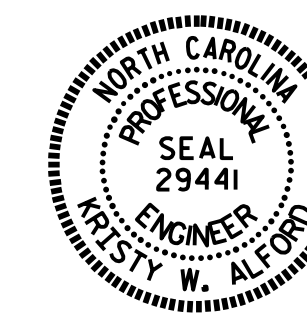


SECTION C-C



SECTION D-D

PROJECT NO. B-5157
GRANVILLE COUNTY
STATION: 15+97.50 -L-



DocuSigned by:
Westy W. Alford
2/23/2016

STATE OF NORTH CAROLINA
DEPARTMENT OF TRANSPORTATION
RALEIGH
STANDARD
= RIP RAP DETAILS =

ASSEMBLED BY : K.W. ALFORD	DATE : 12/2015
CHECKED BY : J.P. ADAMS	DATE : 12/2015
DRAWN BY : REK 1/84	REV. 5/1/06R TLA/GM
CHECKED BY : ROU 1/84	REV. 10/1/11 MAA/GM
	REV. 12/21/11 MAA/GM

DOCUMENT NOT CONSIDERED FINAL
UNLESS ALL SIGNATURES COMPLETED

REVISIONS						SHEET NO. S-14
NO.	BY:	DATE:	NO.	BY:	DATE:	
1			3			TOTAL SHEETS 15
2			4			