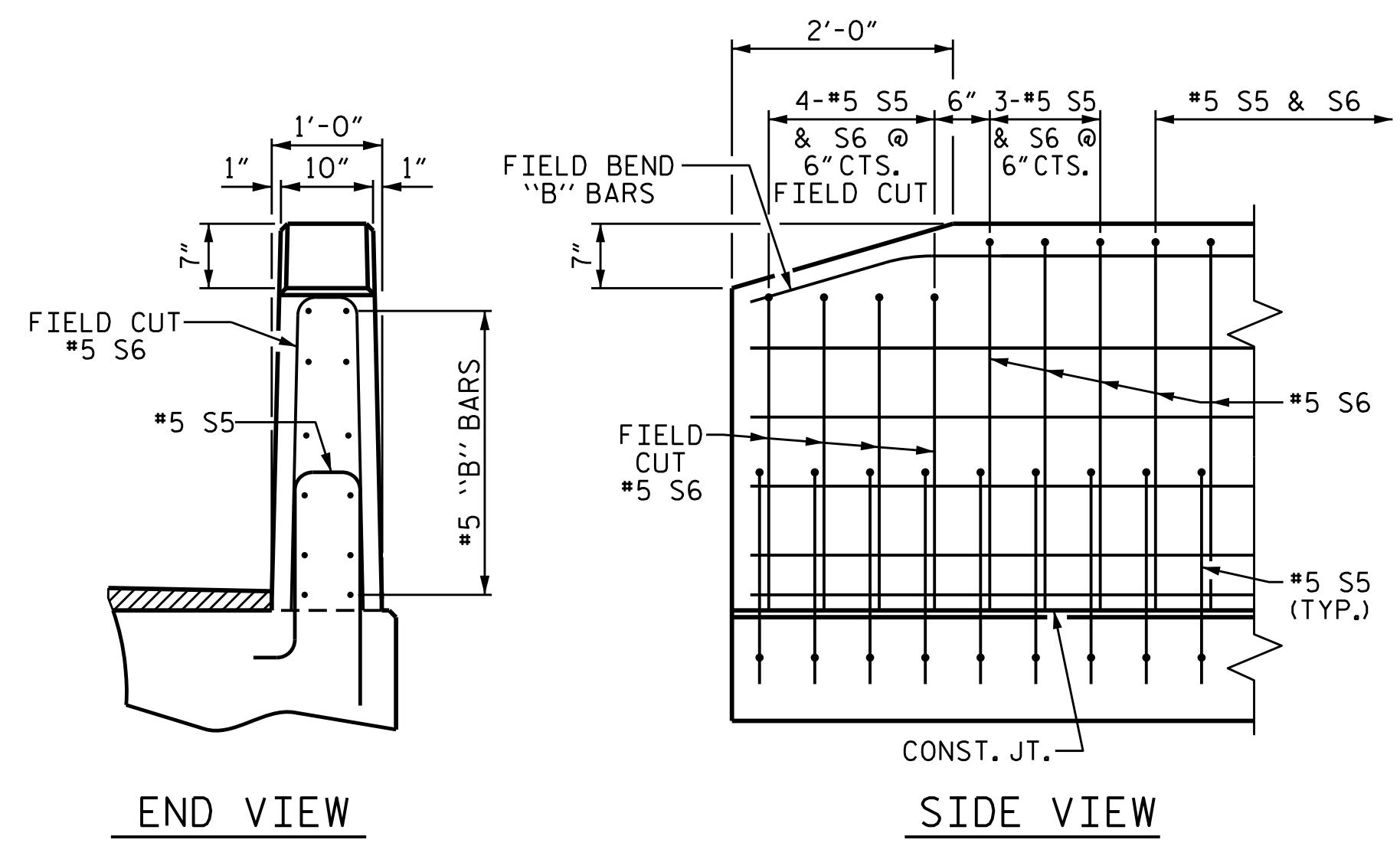
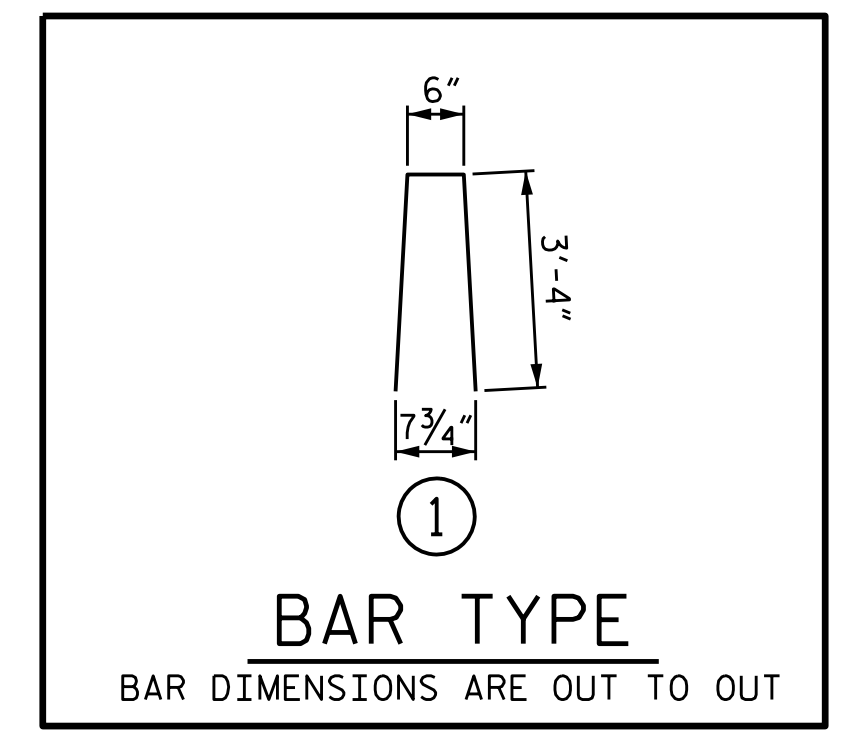


**ELASTOMERIC BEARING DETAILS**

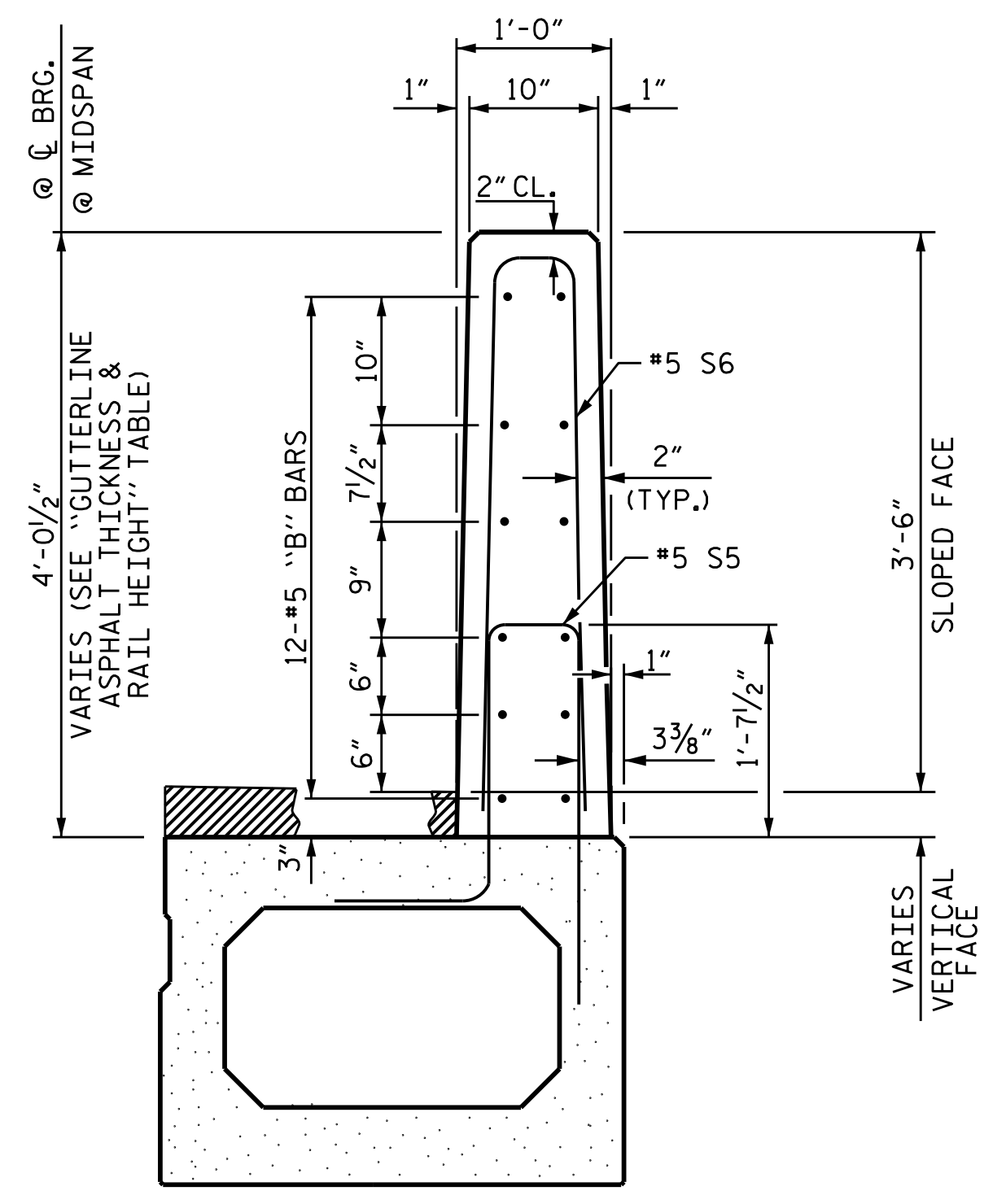
ELASTOMER IN ALL BEARINGS SHALL BE 60 DUROMETER HARDNESS.



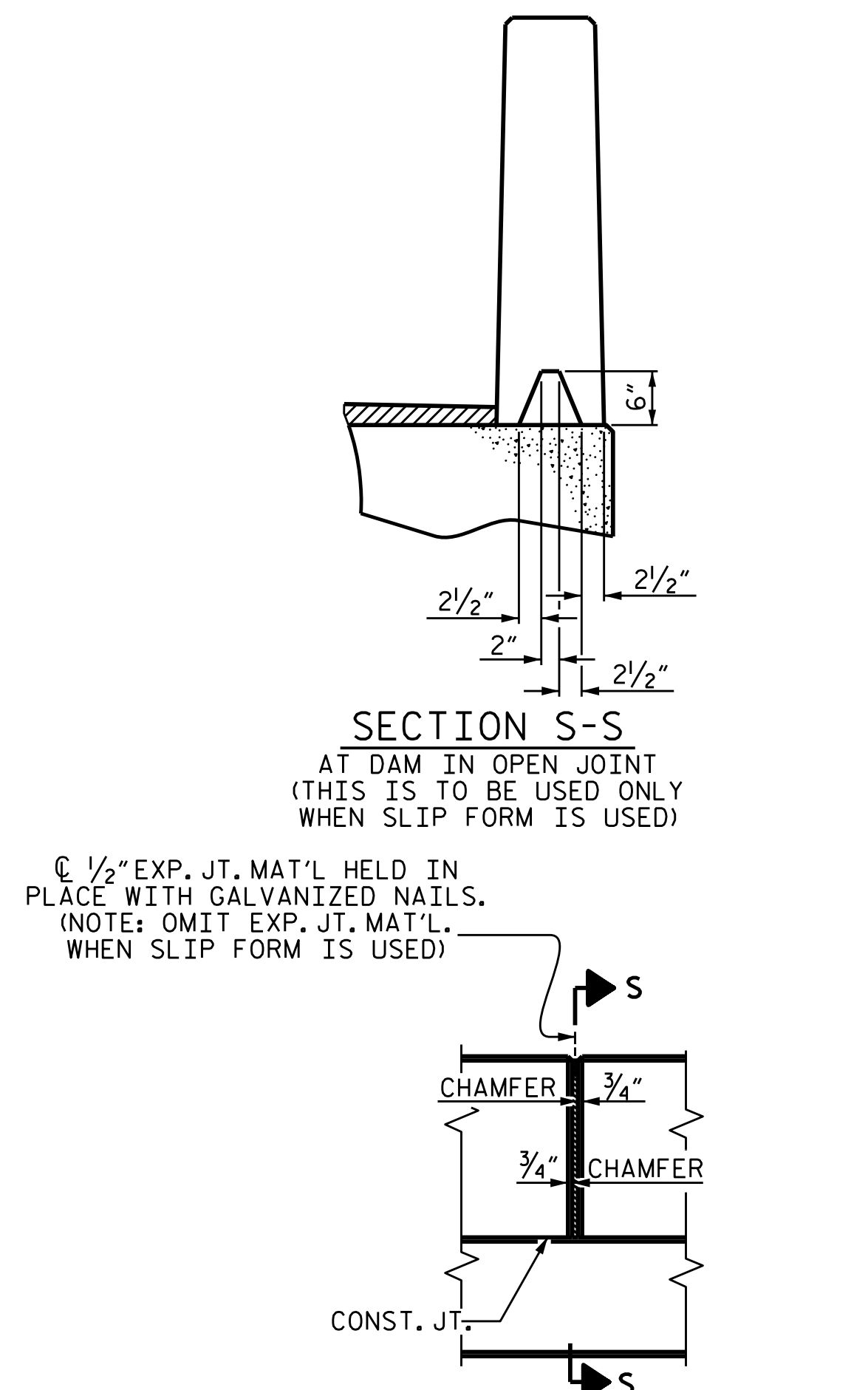
END VIEW SIDE VIEW  
END OF RAIL DETAILS



BILL OF MATERIAL FOR VERTICAL CONCRETE BARRIER RAIL					
BAR	BARS PER PAIR OF EXTERIOR UNITS	SIZE	TYPE	LENGTH	WEIGHT
	95' UNIT				
* B11	96	#5	STR	23'-4"	2336
* S6	264	#5	1	7'-8"	1973
* EPOXY COATED REINFORCING STEEL				LBS.	7309
CLASS AA CONCRETE				CU.YDS.	26.2
TOTAL VERTICAL CONCRETE BARRIER RAIL				LN. FT.	190.0



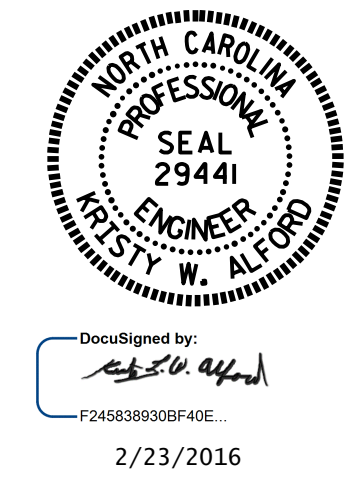
SECTION THRU RAIL



ELEVATION AT EXPANSION JOINTS

GUTTERLINE ASPHALT THICKNESS & RAIL HEIGHT		
	ASPHALT OVERLAY THICKNESS @ MID-SPAN	RAIL HEIGHT @ MID-SPAN
95' UNITS	1 13/16"	3'-7 13/16"

BOX BEAM UNITS REQUIRED			
	NUMBER	LENGTH	TOTAL LENGTH
EXTERIOR B.B.	2	95'-0"	190'-0"
INTERIOR B.B.	8	95'-0"	760'-0"
TOTAL	10		950'-0"



PROJECT NO. B-5157  
GRANVILLE COUNTY  
 STATION: 15+97.50 -L-  
 SHEET 5 OF 5

STATE OF NORTH CAROLINA  
 DEPARTMENT OF TRANSPORTATION  
 RALEIGH  
 STANDARD  
 3'-0" X 3'-3"  
 PRESTRESSED CONCRETE  
 BOX BEAM UNIT

ASSEMBLED BY : <i>William J. Parker</i>	DATE : 08/31/15
CHECKED BY : J.P. ADAMS	DATE : 9/20/15
DRAWN BY : DGE 10/11	REV. 4/15
CHECKED BY : TMG 11/11	MAA/TMG

DOCUMENT NOT CONSIDERED FINAL  
 UNLESS ALL SIGNATURES COMPLETED

REVISIONS						SHEET NO.
NO.	BY:	DATE:	NO.	BY:	DATE:	S-8
1			3			TOTAL SHEETS 15
2			4			