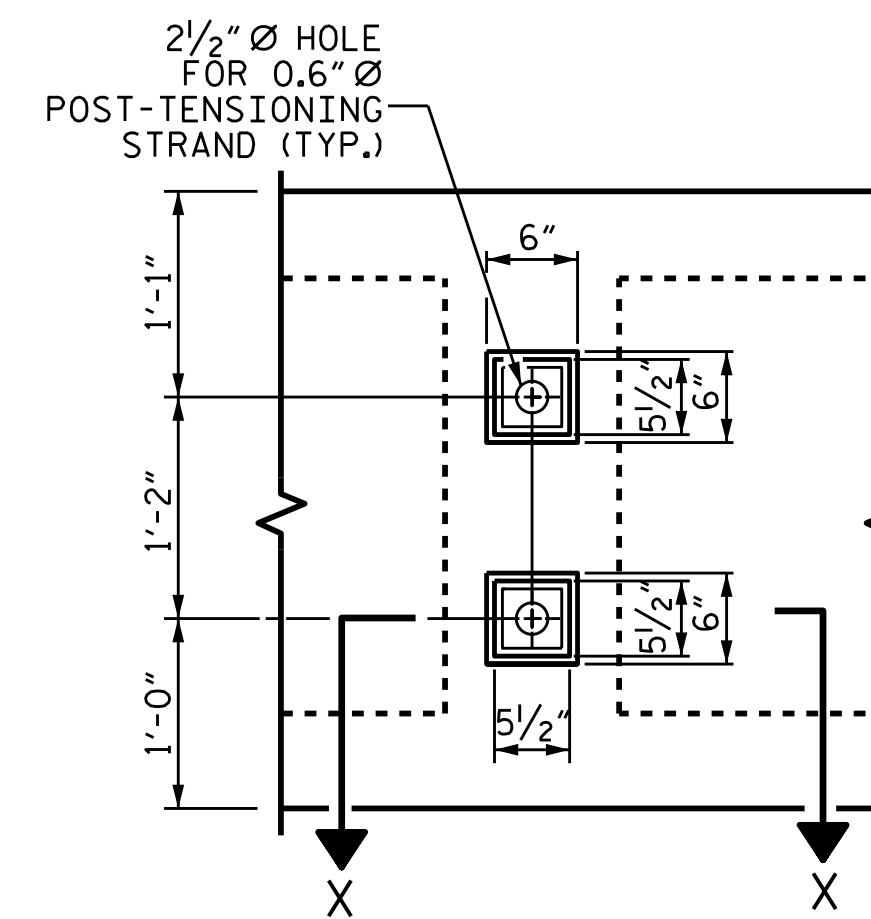
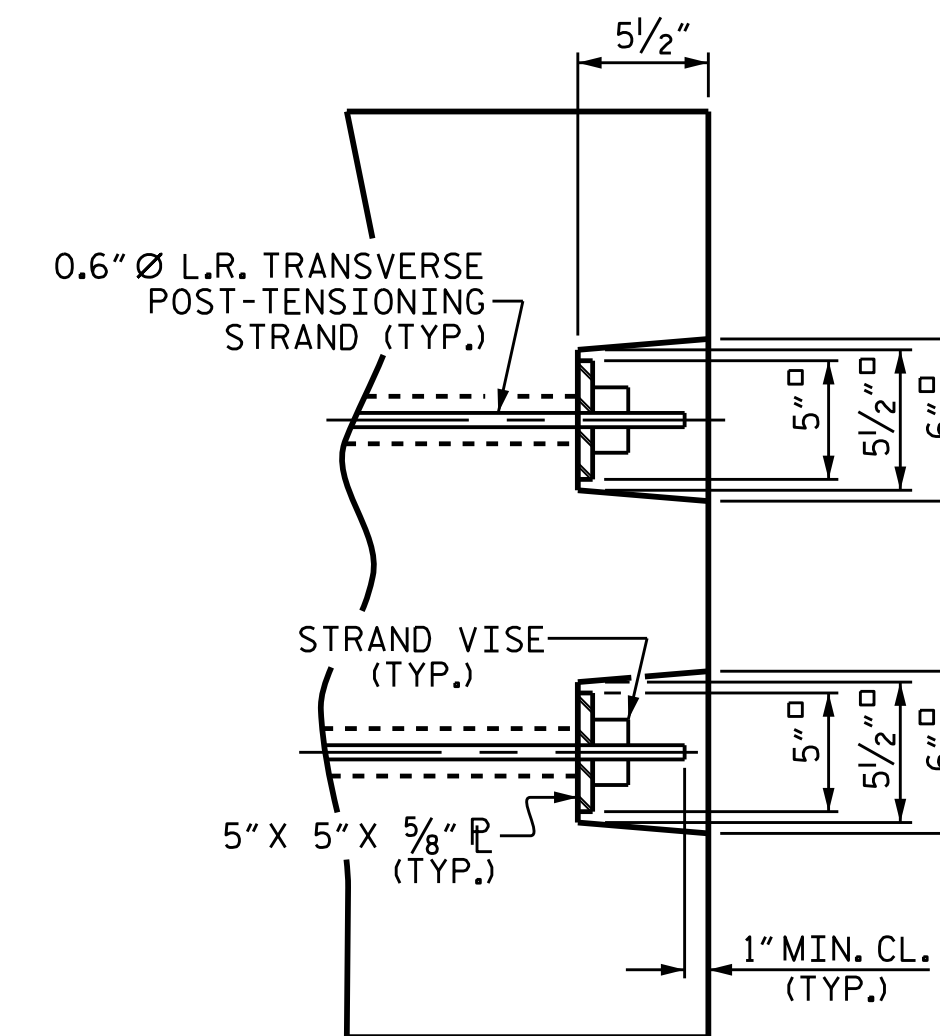


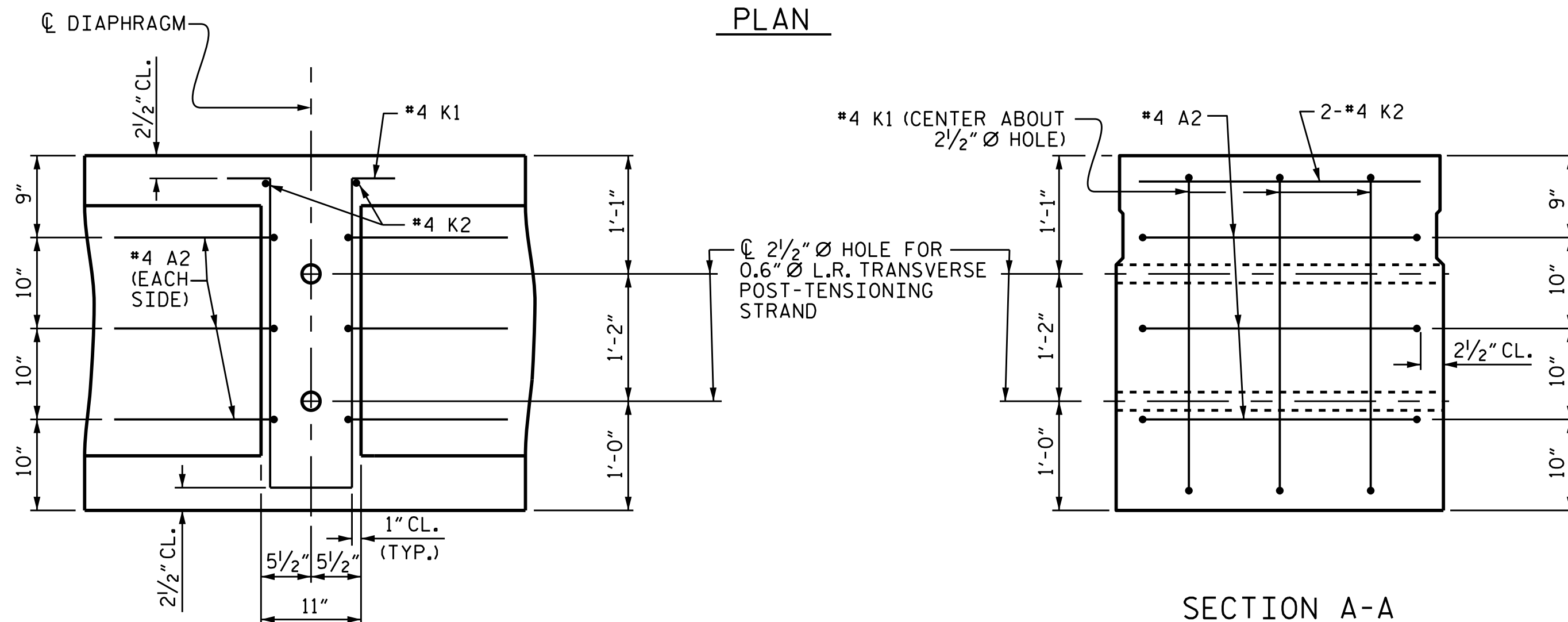
PLAN



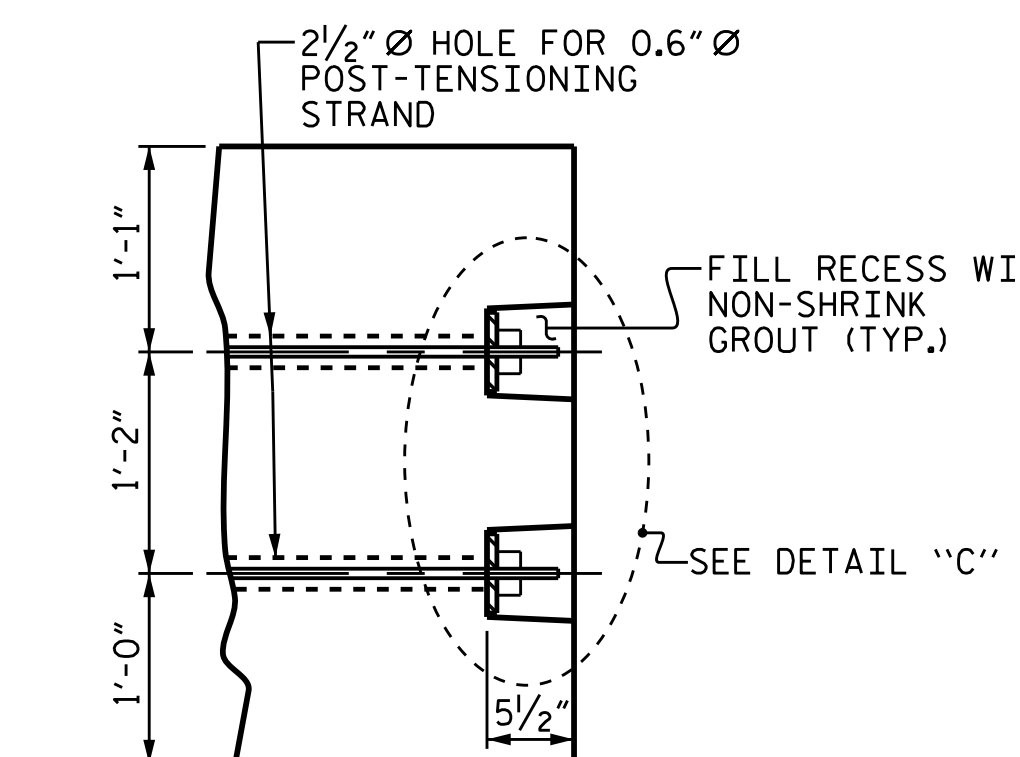
VIEW Y-Y
SHOWING ELEVATION VIEW OF GROUTED RECESS



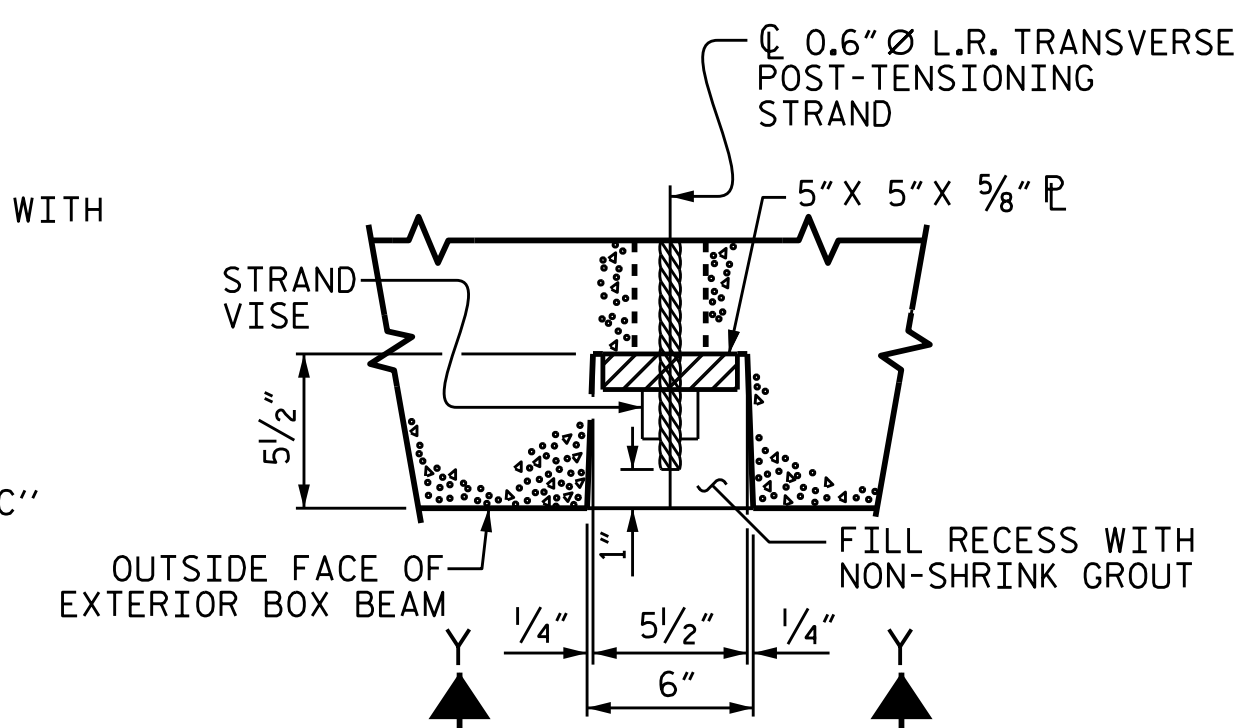
DETAIL "C"



SECTION A-A
VOIDS NOT SHOWN



PART SECTION AT RECESS

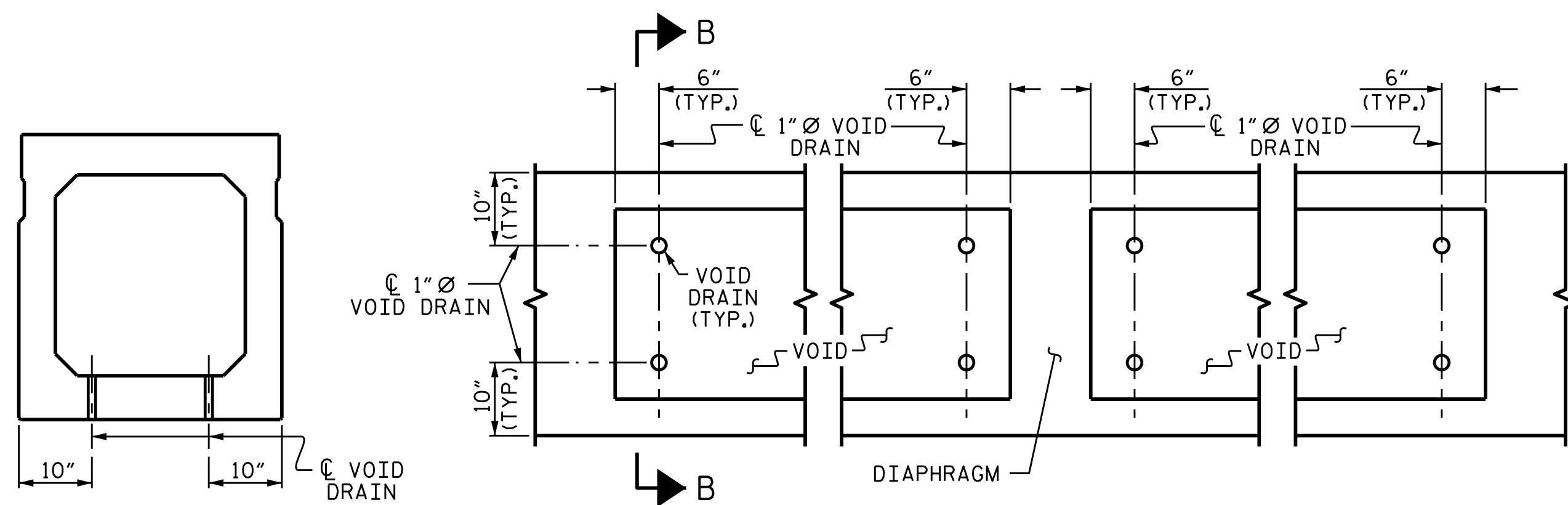


SECTION X-X
SHOWING PLAN VIEW OF GROUTED RECESS

DOUBLE DIAPHRAGM DETAILS

*4 "S" BARS NOT SHOWN. *4 "S" BARS MAY BE SHIFTED SLIGHTLY TO CLEAR 2 1/2" Ø HOLE.

**GROUTED RECESS DETAIL AT
END OF POST-TENSIONED STRANDS
OF EXTERIOR BOX BEAM**



SECTION B-B

PART PLAN

VOID DRAIN DETAILS

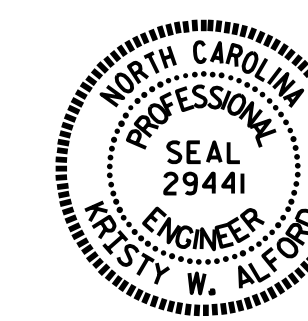
(DIMENSIONS SHOWN ARE TYPICAL FOR EACH VOID)

DEAD LOAD DEFLECTION AND CAMBER	
95' BOX BEAM UNIT (NC & SE)	3'-0" x 3'-3"
CAMBER (SLAB ALONE IN PLACE)	2" ↑
DEFLECTION DUE TO SUPERIMPOSED DEAD LOAD**	7/8" ↓
FINAL CAMBER	1 1/8" ↑

** INCLUDES FUTURE WEARING SURFACE

PROJECT NO. B-5157
GRANVILLE COUNTY
 STATION: 15+97.50 -L-

SHEET 4 OF 5



DocuSigned by:
 2/23/2016

STATE OF NORTH CAROLINA
 DEPARTMENT OF TRANSPORTATION
 RALEIGH
 STANDARD
 3'-0" X 3'-3"
 PRESTRESSED CONCRETE
 BOX BEAM UNIT

REVISIONS						SHEET NO.
NO.	BY:	DATE:	NO.	BY:	DATE:	S-7
1			3			TOTAL SHEETS 15
2			4			

DOCUMENT NOT CONSIDERED FINAL
 UNLESS ALL SIGNATURES COMPLETED

ASSEMBLED BY: <i>William J. Parker</i>	DATE: 08/31/15
CHECKED BY: J.P. ADAMS	DATE: 9/20/15
DRAWN BY: DGE 11/11	ADDED 7/11/05
CHECKED BY: TMG 11/11	REV. 5/1/06 TLA/GM
	REV. 10/1/11 MAA/GM