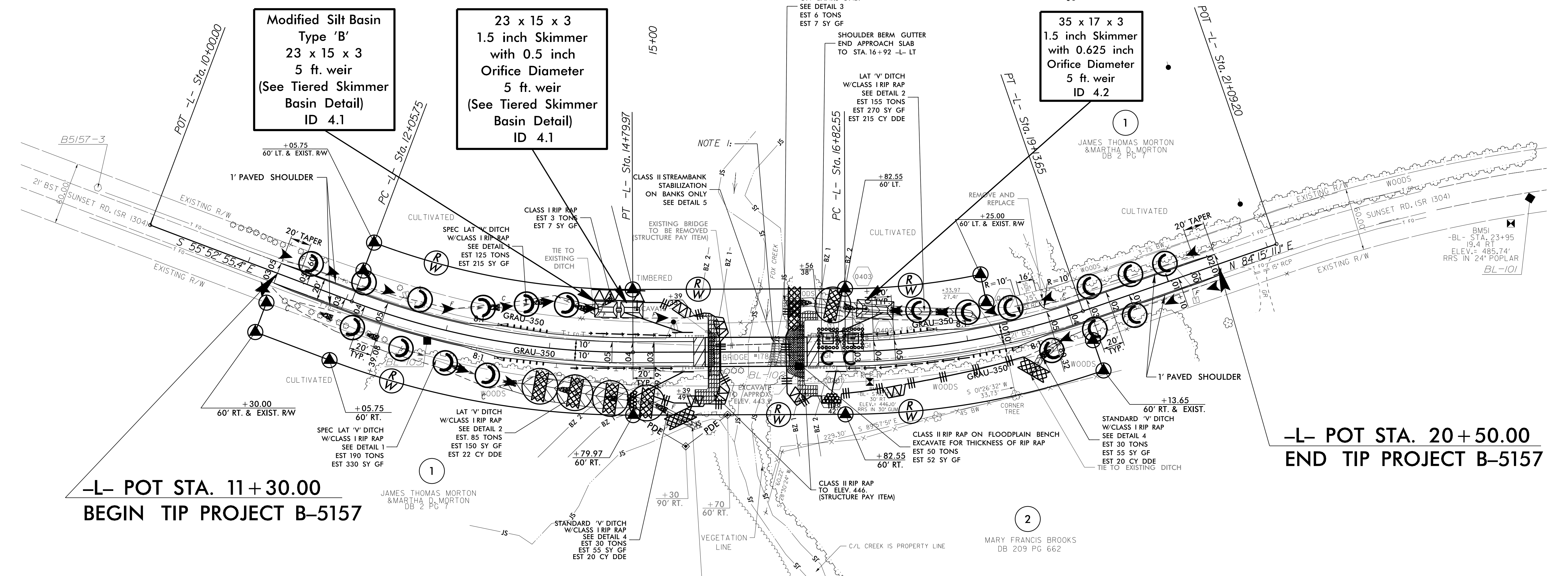
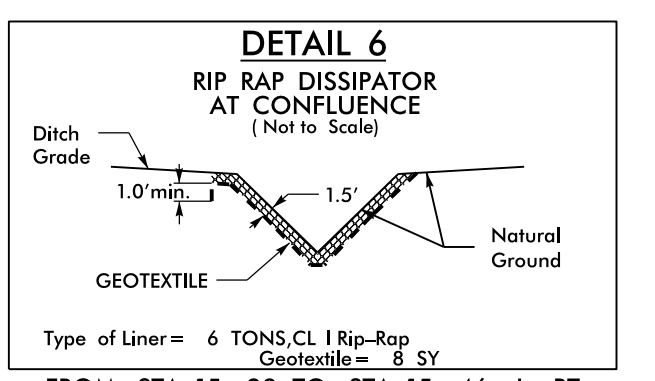
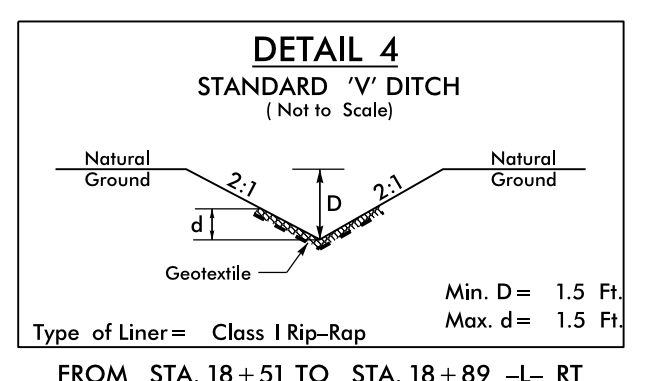
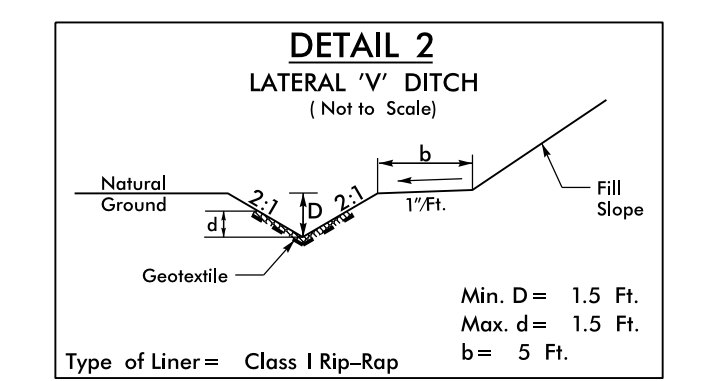
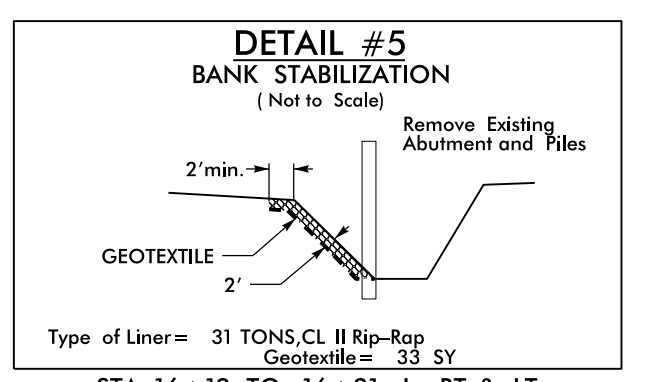
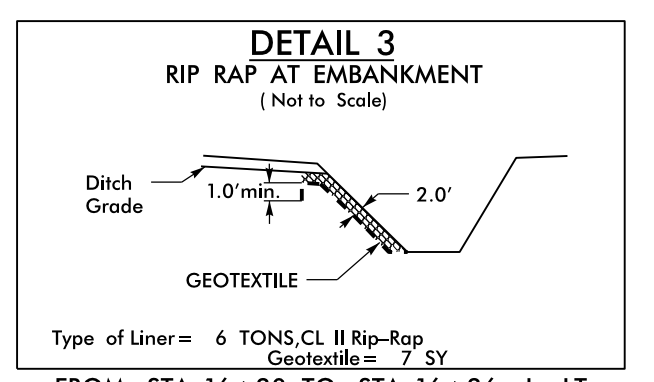
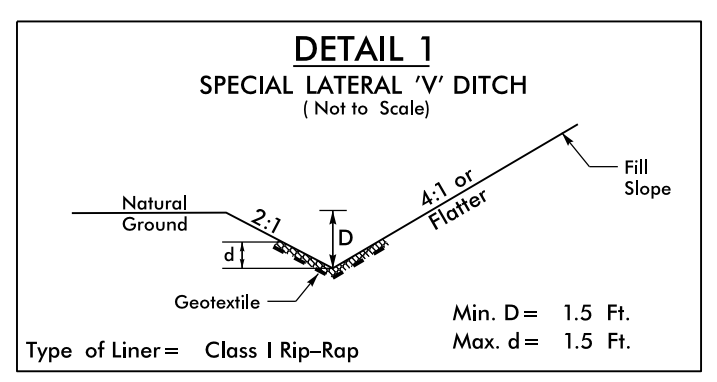


PROJECT REFERENCE NO.	SHEET NO.
B-5157	EC-05/CONST.04
RW SHEET NO.	
ROADWAY DESIGN ENGINEER	HYDRAULICS ENGINEER



-L- POT STA. 11+30.00  
BEGIN TIP PROJECT B-5157

-L- POT STA. 20+50.00  
END TIP PROJECT B-5157

Place Matting for Erosion Control  
on Slope as Work Allows.  
Sta. 14+50 to Sta. 15+50 LT AND RT  
16+50 TO 18+50 RT AND  
16+50 TO 18+00 LT

NOTE:  
UTILIZE TEMPORARY SEDIMENT BASIN OR SPECIAL STILLING  
BASIN(S) AS STILLING BASIN WHERE APPLICABLE.

5/14/99  
29-DEC-2015 15:42  
RA\_Enviro\p01\B5157.dgn  
B5157-EC-05-CONST.04.dgn