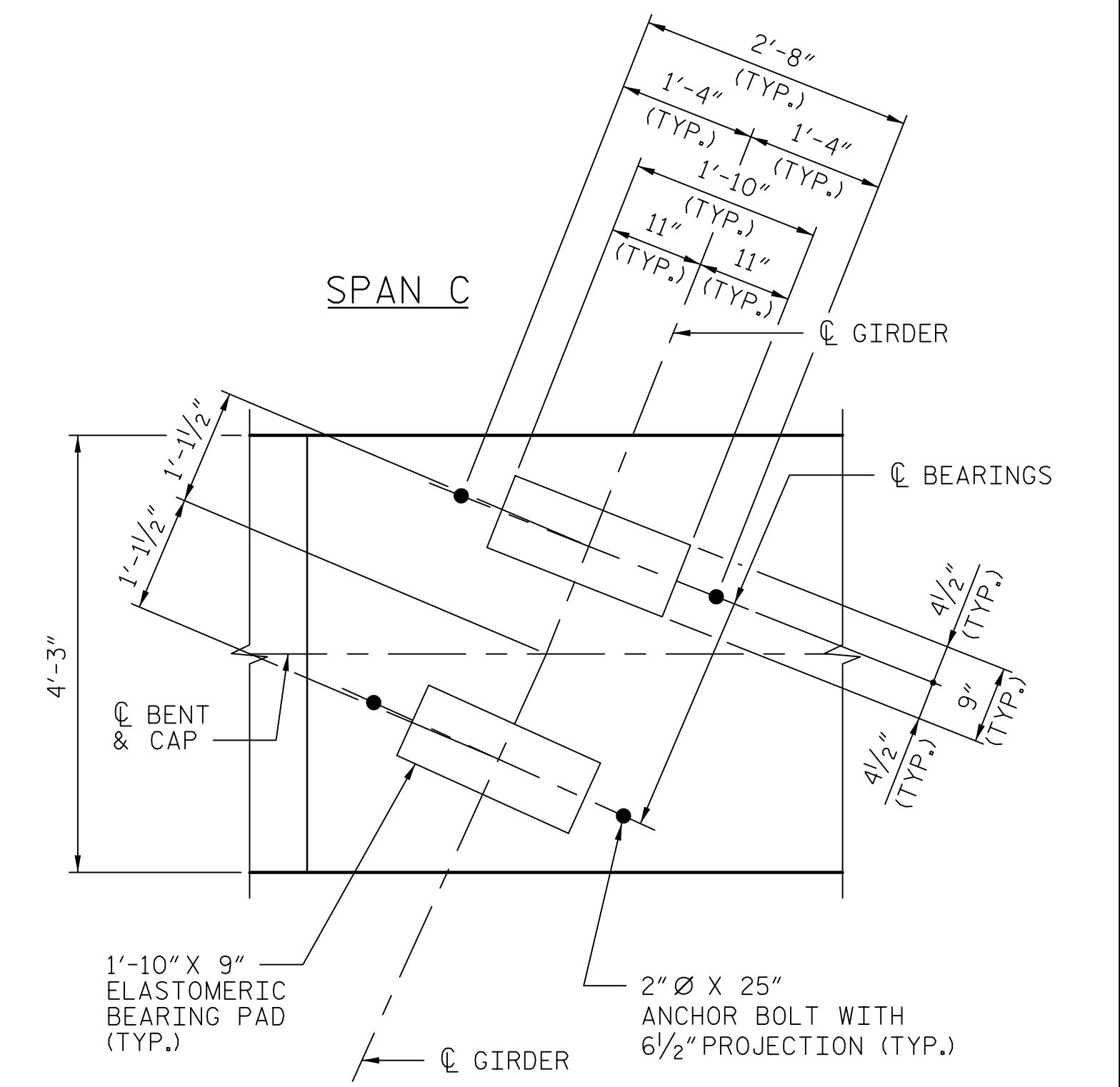
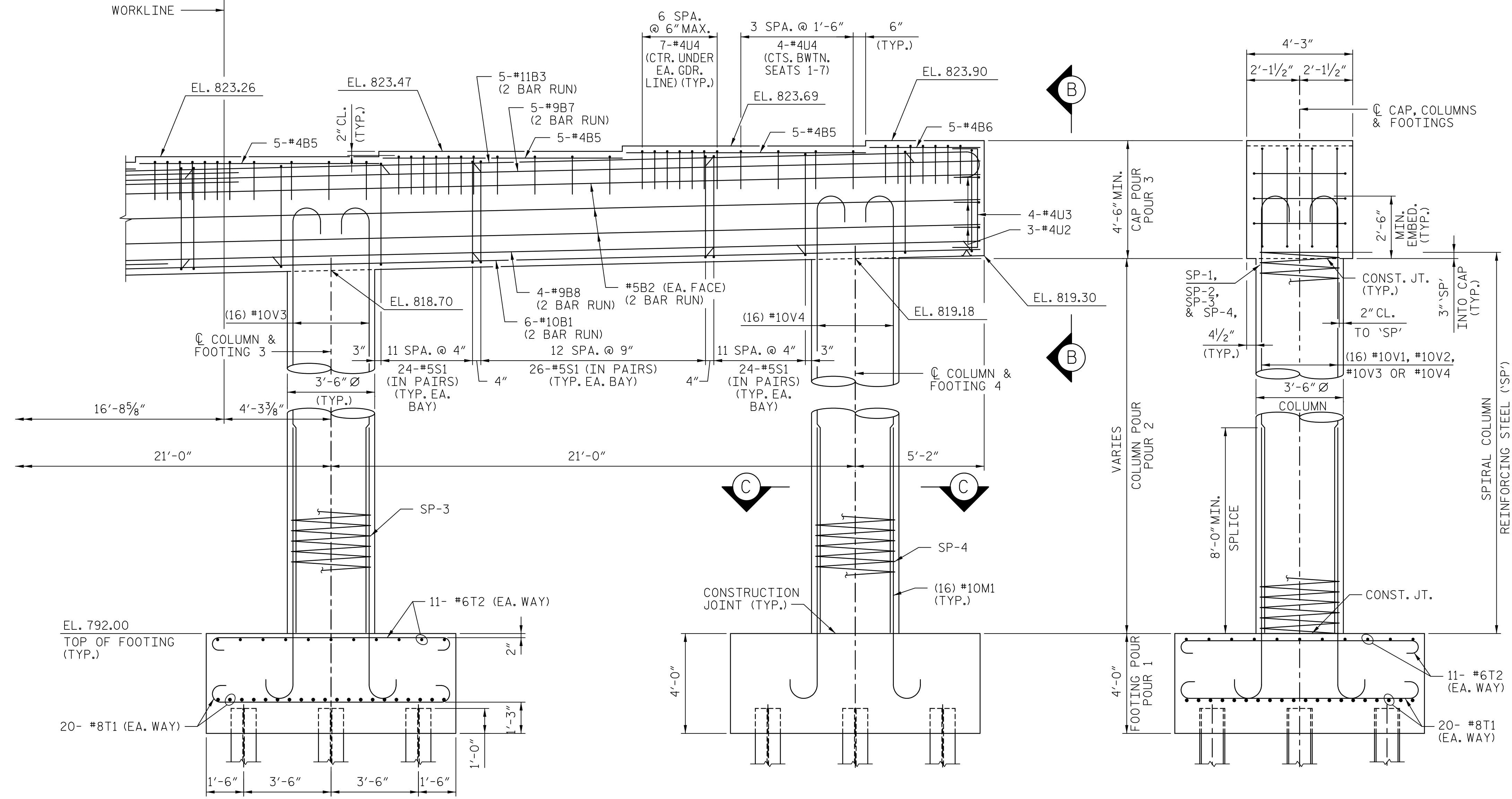


PLAN



BEARING DETAIL



ELEVATION

END VIEW

PROJECT NO. U-2707
 FORSYTH COUNTY
 STATION: 17+34.88 -Y-
 SHEET 2 OF 3 BRIDGE NO. 109

AECOM
AECOM TECHNICAL SERVICES, INC.
 701 CORPORATE CENTER DRIVE, SUITE 475
 RALEIGH, NC 27607
 (919) 854-6200 www.aecom.com
 AECOM License No. F-0342

North Carolina Professional Seal
 SEAL
 No. 1330474
 John C. Morris
 REGISTERED PROFESSIONAL ENGINEER
 JOHN C. MORRIS

1/12/2016

STATE OF NORTH CAROLINA					
DEPARTMENT OF TRANSPORTATION					
RALEIGH					
SUPERSTRUCTURE					
BENT 2					
PLAN AND ELEVATION					
REVISIONS					
NO.	BY:	DATE:	NO.	BY:	DATE:
SHEET NO.					S-76
TOTAL SHEETS					86

DRAWN BY: DDL DATE: 11/2015
 CHECKED BY: JCM DATE: 11/2015

DOCUMENT NOT CONSIDERED
 FINAL UNLESS ALL
 SIGNATURES COMPLETED

DATE: 1/12/2016
 TIME: 8:55:46 AM

USER: jls@acomp.com
 DGN: R:\EIT\103\10304\1030402_007_112707_SML_S76_B2_02.dgn