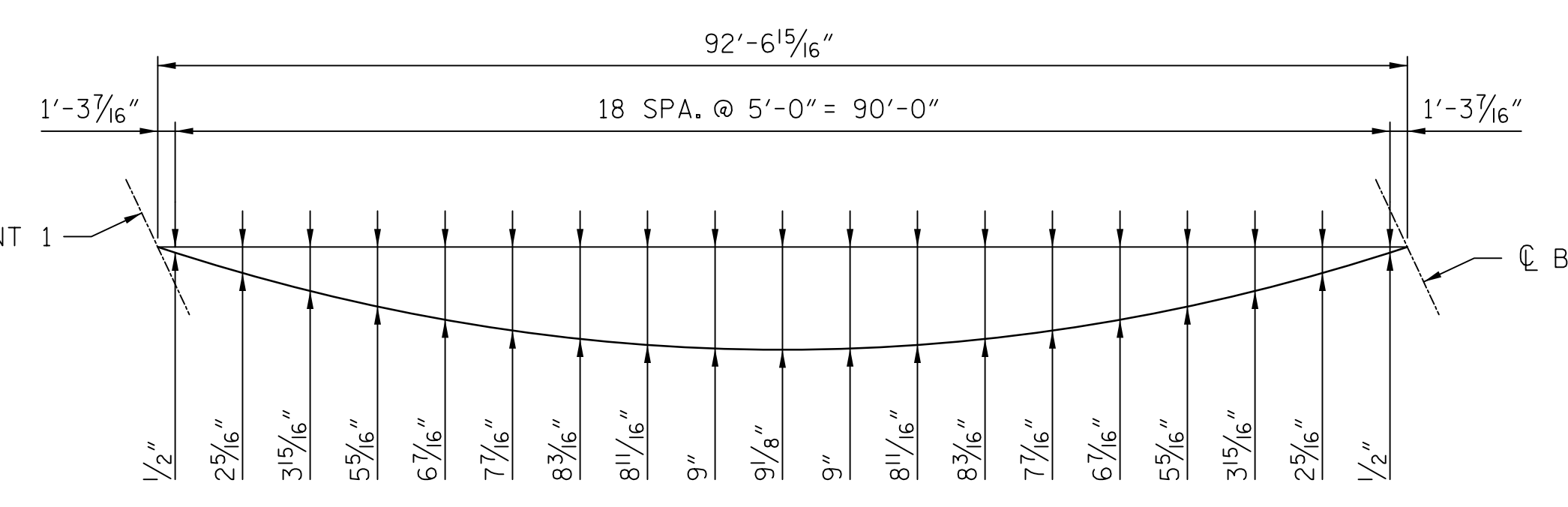
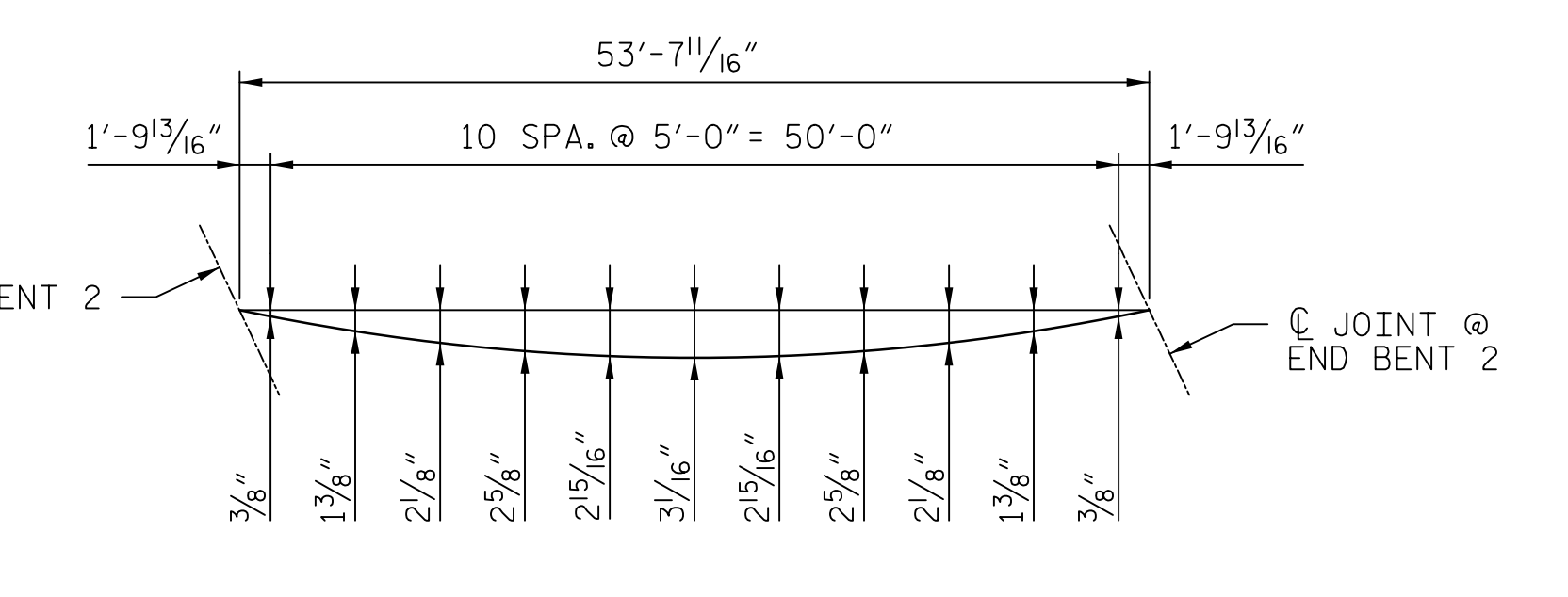


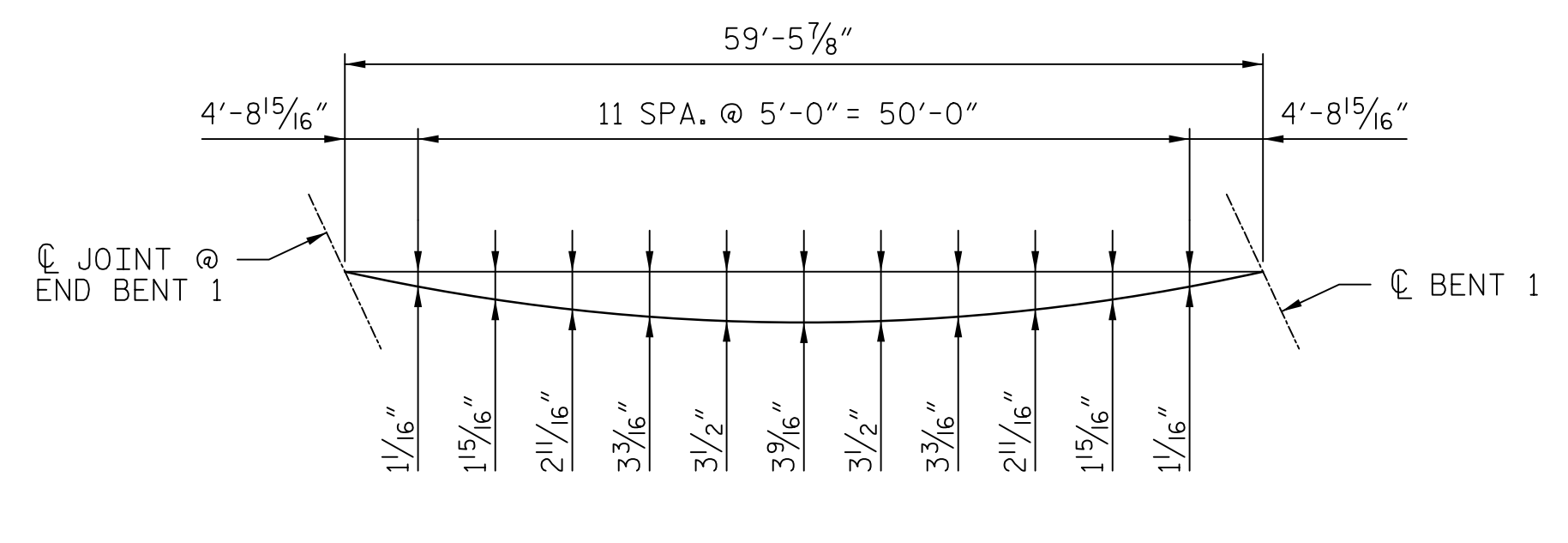
LEFT SIDE - EDGE OF SLAB



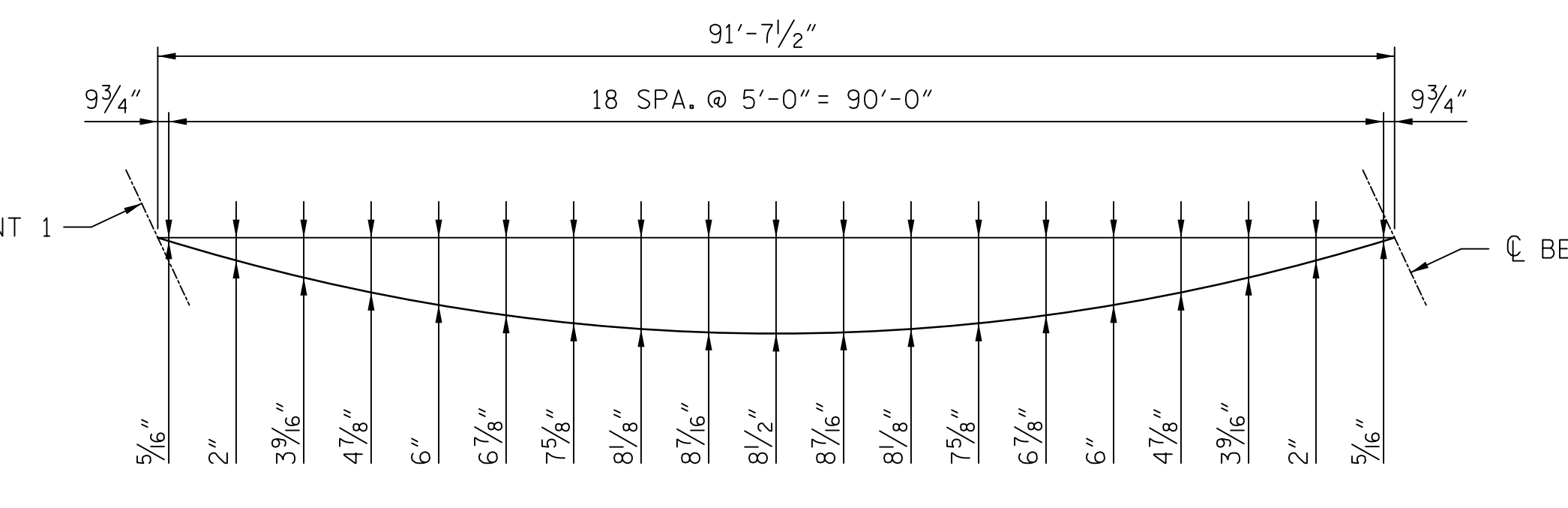
LEFT SIDE - EDGE OF SLAB



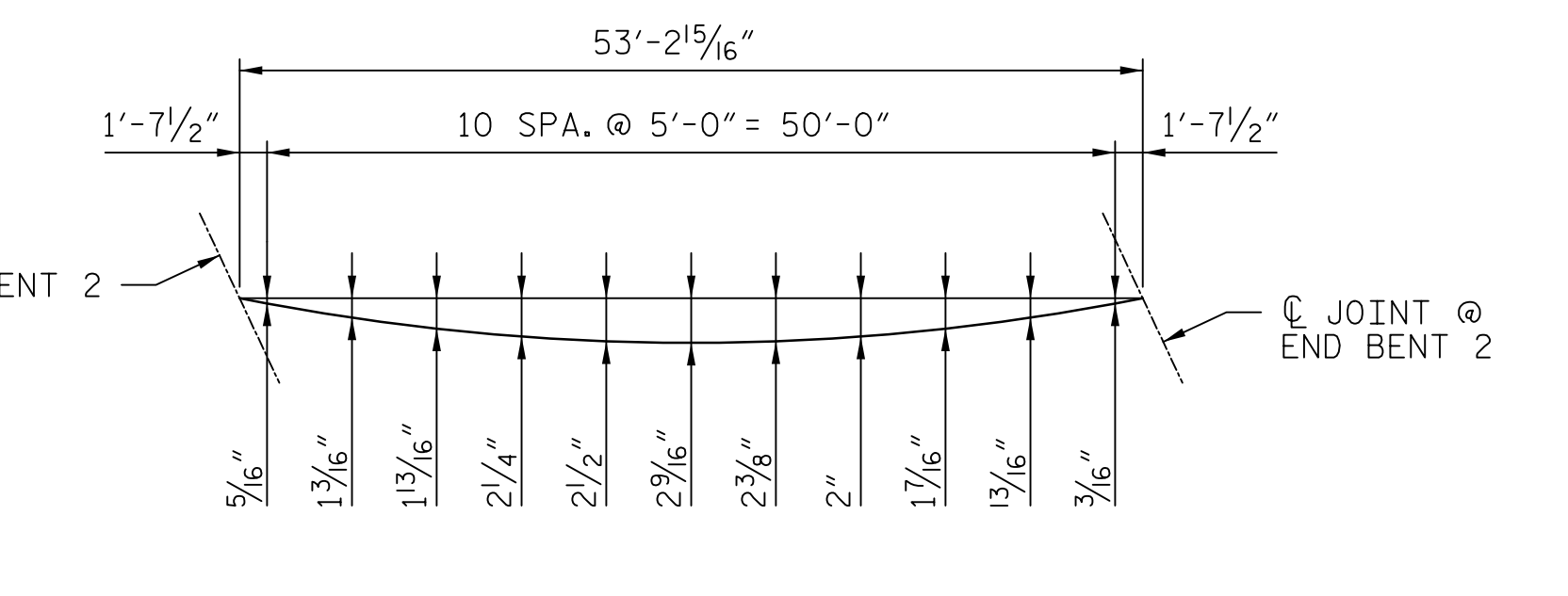
LEFT SIDE - EDGE OF SLAB



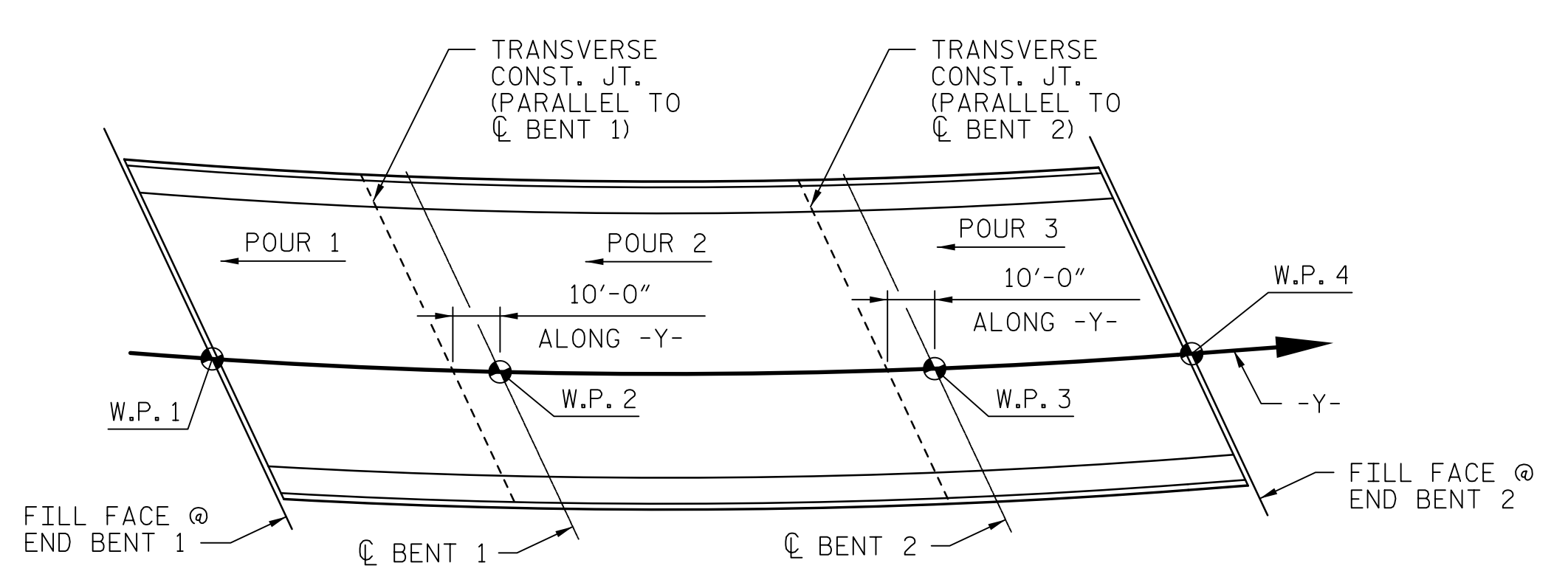
RIGHT SIDE - EDGE OF SLAB
ARC OFFSETS - SPAN A



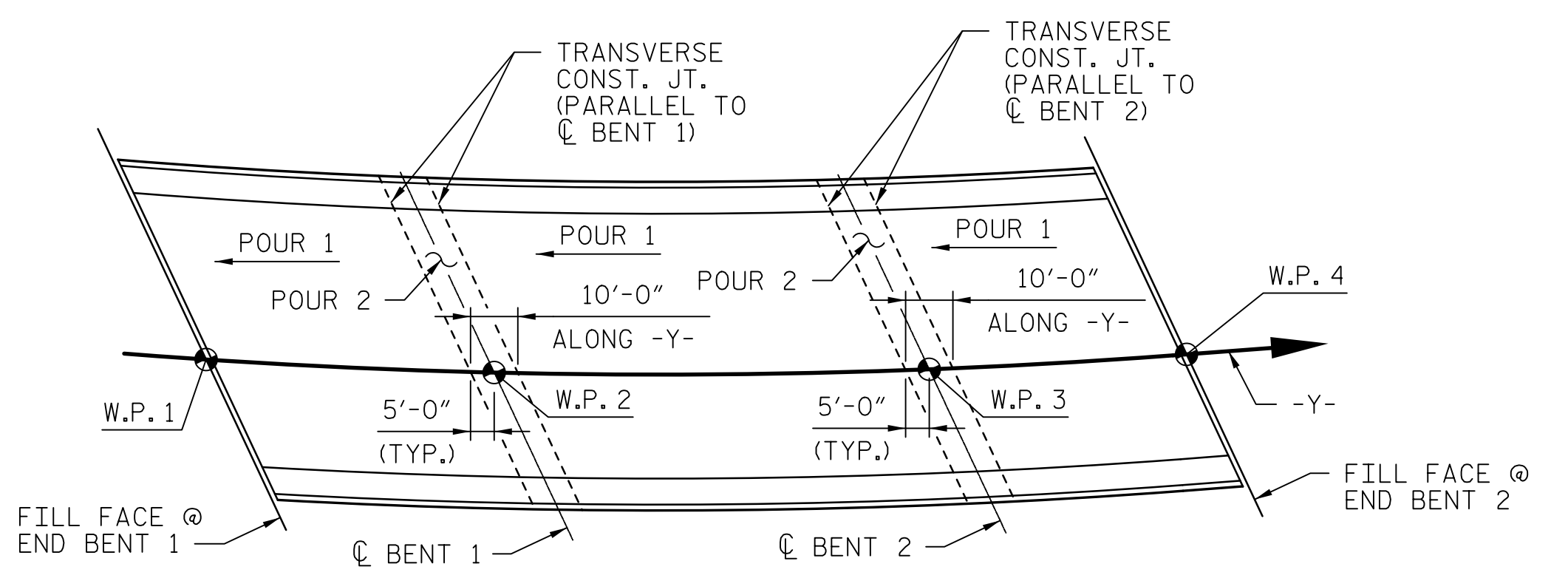
RIGHT SIDE - EDGE OF SLAB
ARC OFFSETS - SPAN B



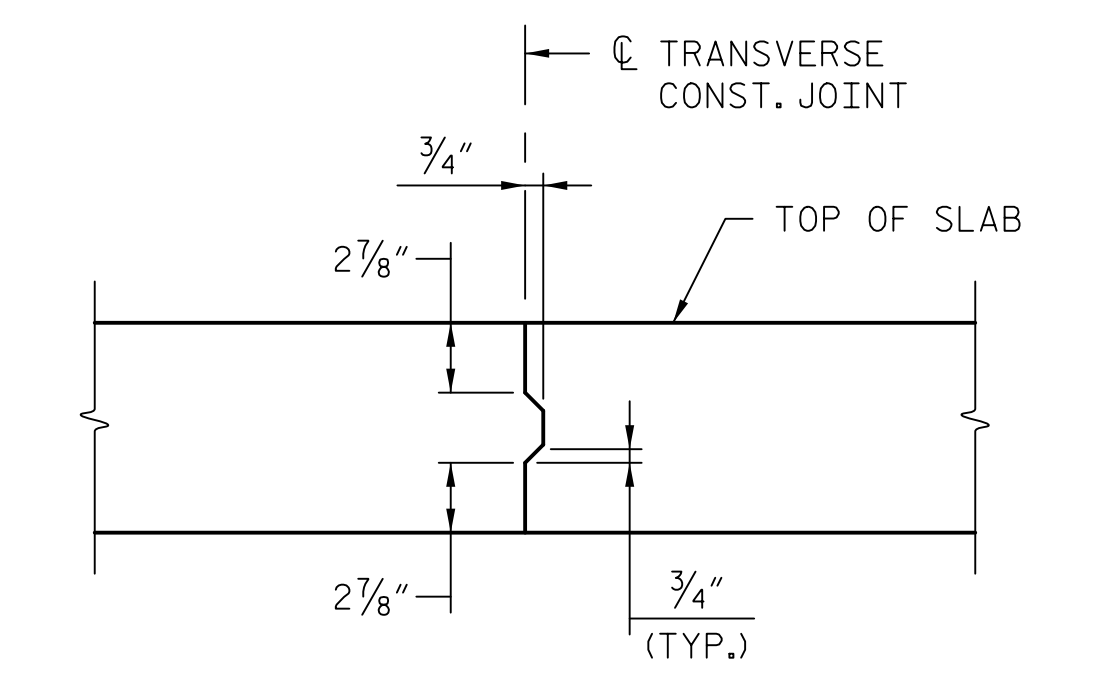
RIGHT SIDE - EDGE OF SLAB
ARC OFFSETS - SPAN C



POURING DIAGRAM

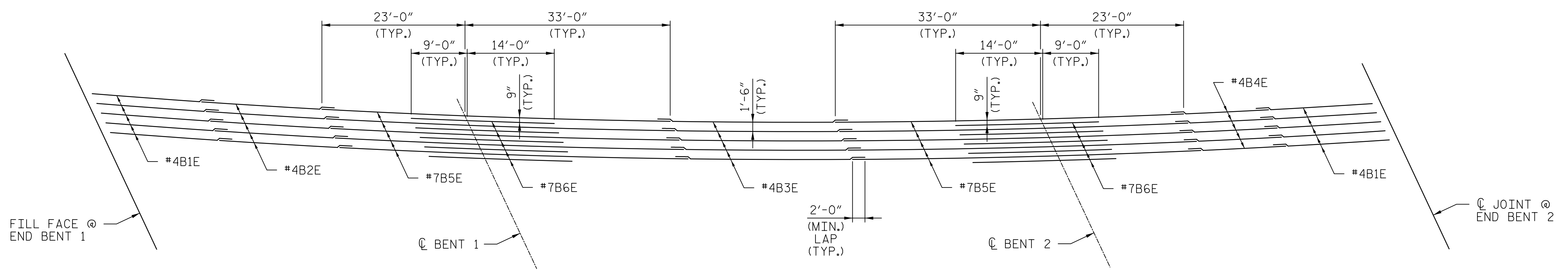


OPTIONAL POURING DIAGRAM



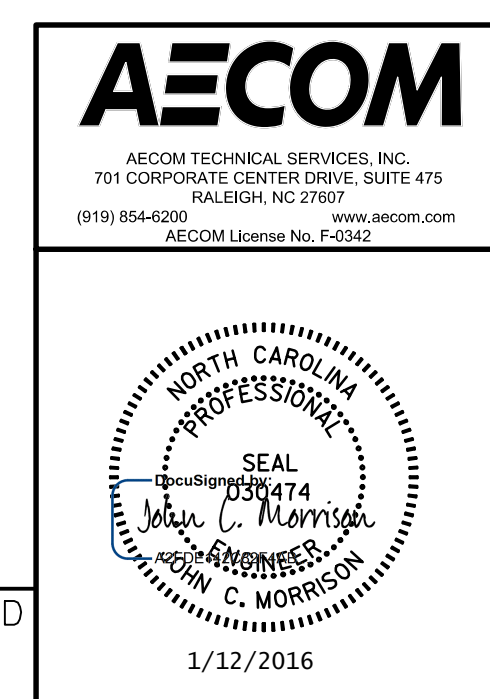
TRANSVERSE CONSTRUCTION JOINT DETAIL

REINFORCING STEEL IN SLAB NOT SHOWN.
LONGITUDINAL REINFORCING STEEL SHALL BE CONTINUOUS THRU JOINT.



TOP "B" BAR REINFORCING LAYOUT

PROJECT NO. U-2707
FORSYTH COUNTY
 STATION: 17+34.88 -Y-
 SHEET 3 OF 3 BRIDGE NO. 109



STATE OF NORTH CAROLINA DEPARTMENT OF TRANSPORTATION RALEIGH					
SUPERSTRUCTURE PLAN OF SPAN DETAILS					
REVISIONS					
NO.	BY:	DATE:	NO.	BY:	DATE:
1			3		
2			4		
SHEET NO. S-52					TOTAL SHEETS 86

DOCUMENT NOT CONSIDERED
FINAL UNLESS ALL
SIGNATURES COMPLETED

DRAWN BY: DBL DATE: 1/2/2015
 CHECKED BY: J&M DATE: 1/2/2015

DATE: 1/12/2016 TIME: 8:45:53 AM
 USER: jmc@acorn.com DON: R:\Bridges\09\04\02_09_11\2707_SML_552_P303.dgn