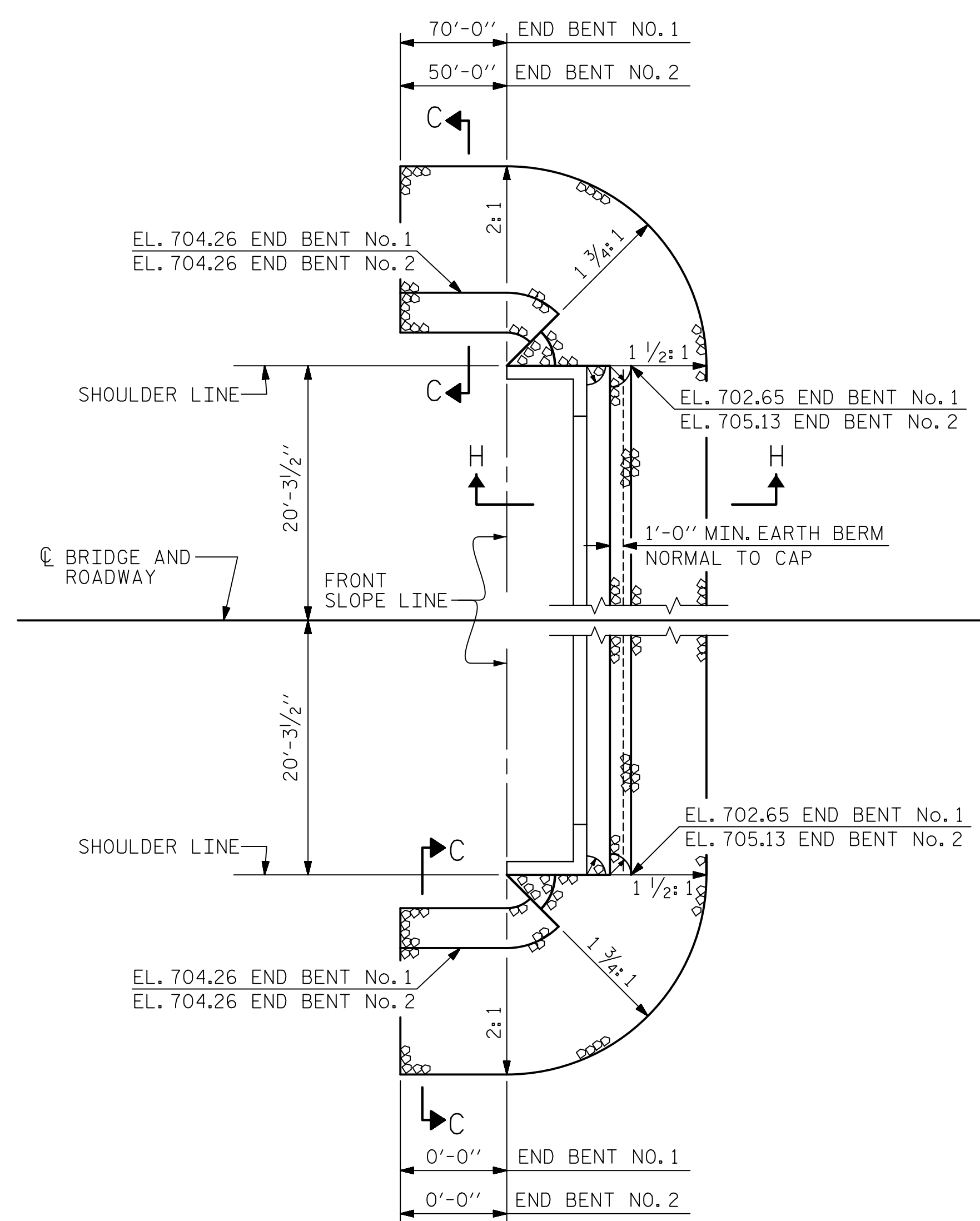
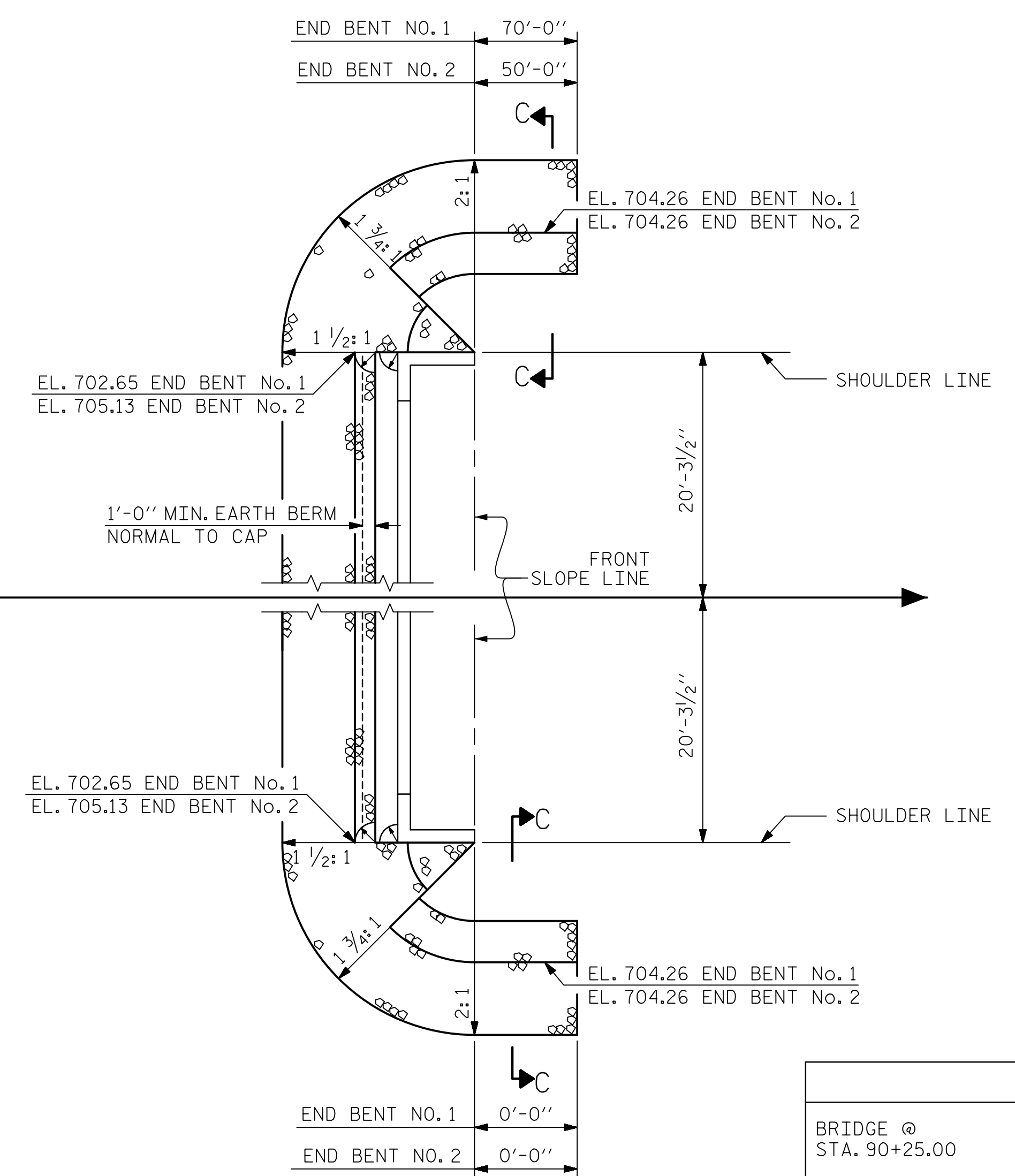


DATE: 1/12/2016
TIME: 9:25:05 AM

USER: R:\a\compton
DIR: R:\a\bridge\656\cond\401_079_12707_SML_S40_RR.dgn



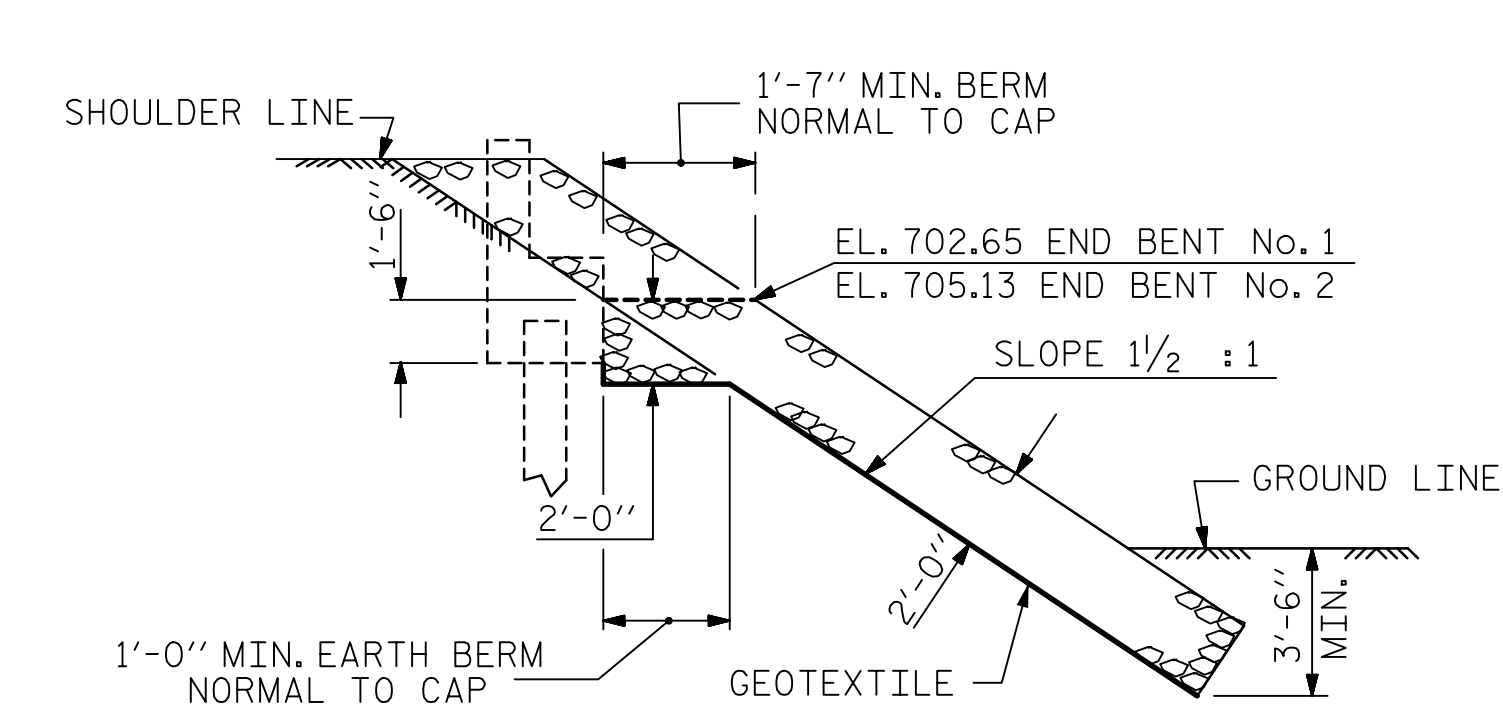
SHOULDER RIP RAP IS HIGHER THAN BERM RIP RAP



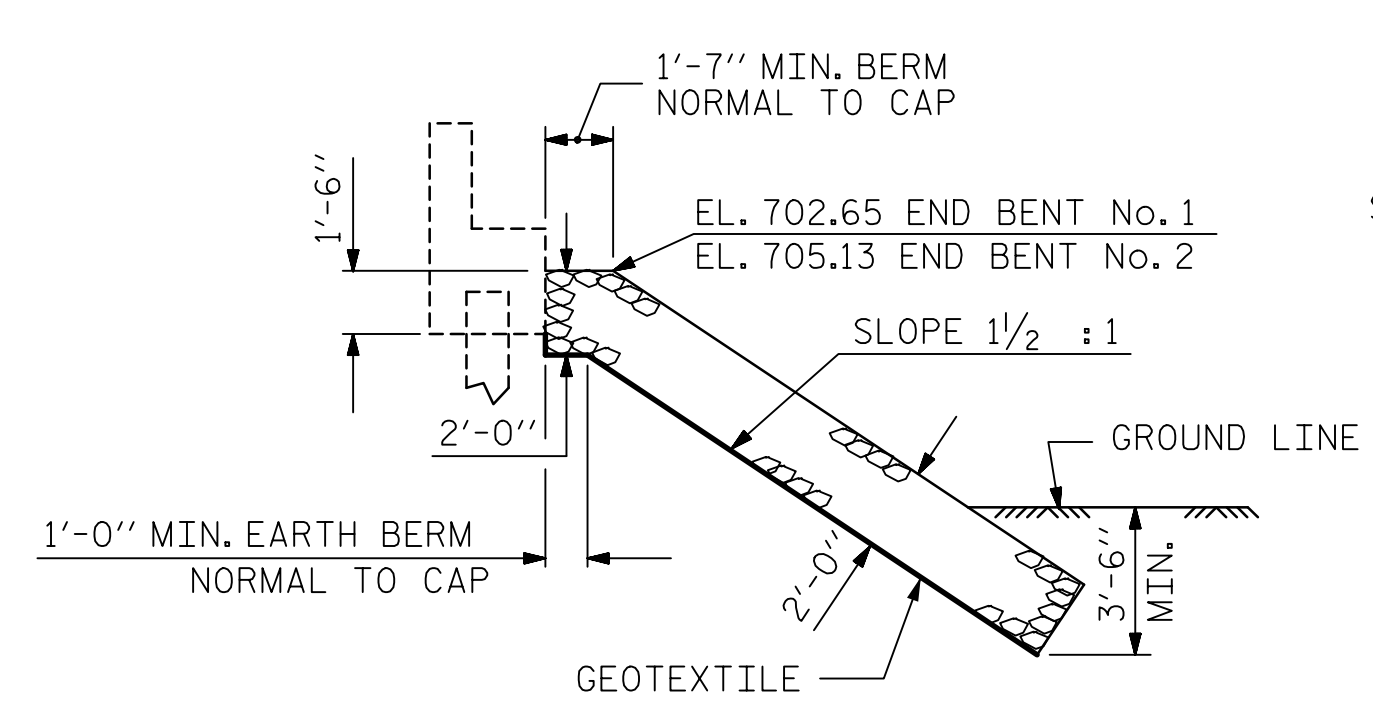
BERM RIP RAPPED

NOTES :
FOR BERM WIDTH DIMENSIONS, SEE GENERAL DRAWING.

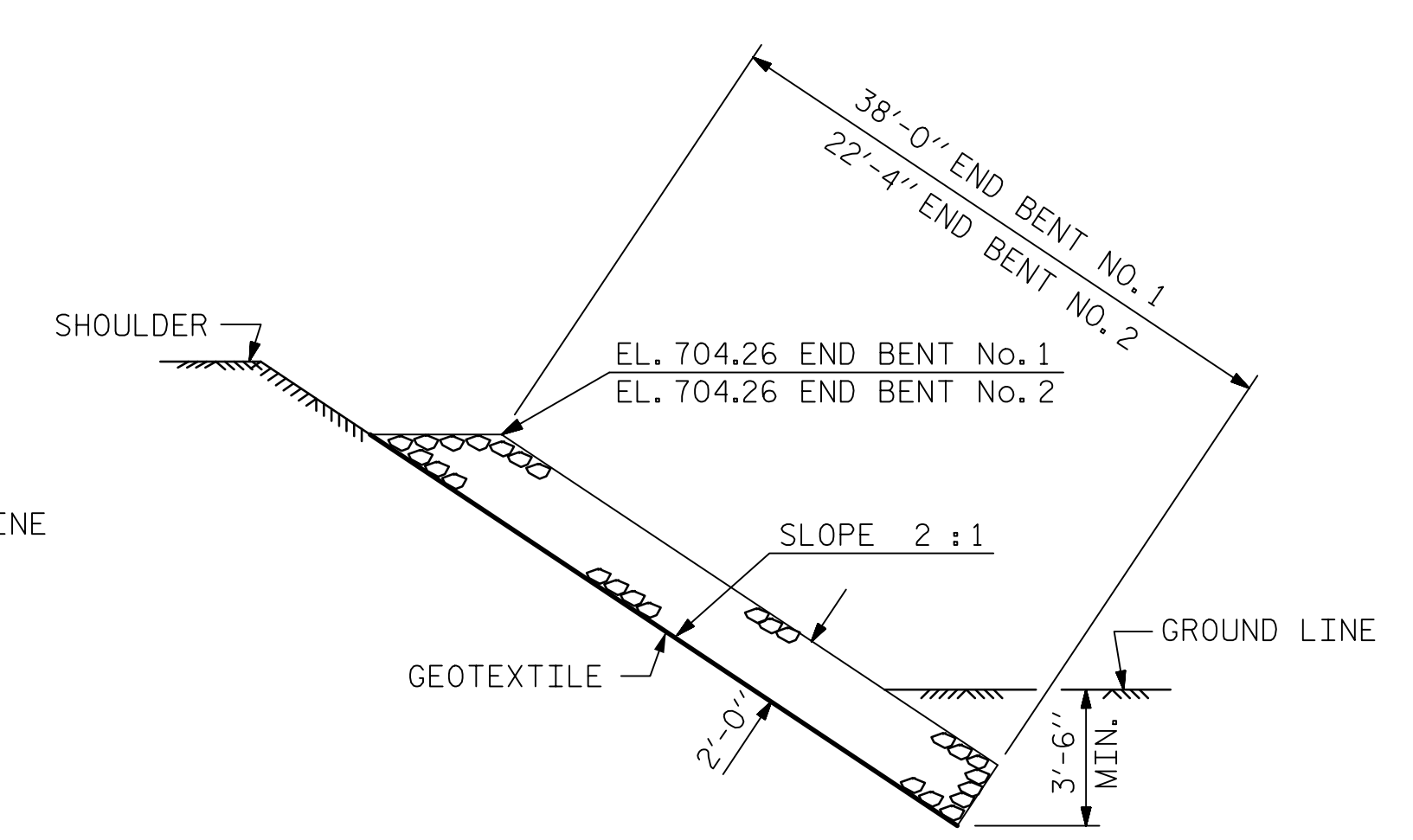
ESTIMATED QUANTITIES		
BRIDGE @ STA. 90+25.00	RIP RAP CLASS II (2'-0" THICK)	GEOTEXTILE FOR DRAINAGE
	TONS	SQUARE YARDS
END BENT 1	952	1058
END BENT 2	565	627



SECTION H-H



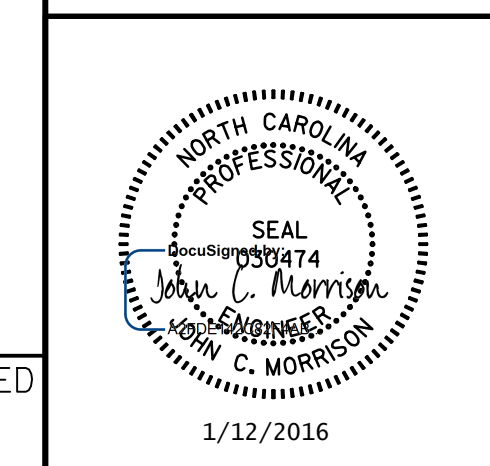
SECTION C-C
BERM RIP RAPPED



SECTION C-C

PROJECT NO. U-2707
FORSYTH COUNTY
STATION: 90+25.00 -L-

BRIDGE NO. 656



STATE OF NORTH CAROLINA DEPARTMENT OF TRANSPORTATION RALEIGH STANDARD RIP RAP DETAILS					
REVISIONS					
NO.	BY:	DATE:	NO.	BY:	DATE:
1			3		
2			4		
SHEET NO. S-40					TOTAL SHEETS 86

ASSEMBLED BY : KHC	DATE : 11/2015
CHECKED BY : JCM	DATE : 11/2015
DRAWN BY : REK 1/84	REV. 5/1/06R TLA/GM
CHECKED BY : RDU 1/84	REV. 10/1/11 MAA/GM
	REV. 12/21/11 MAA/GM

DOCUMENT NOT CONSIDERED
FINAL UNLESS ALL
SIGNATURES COMPLETED

1/12/2016