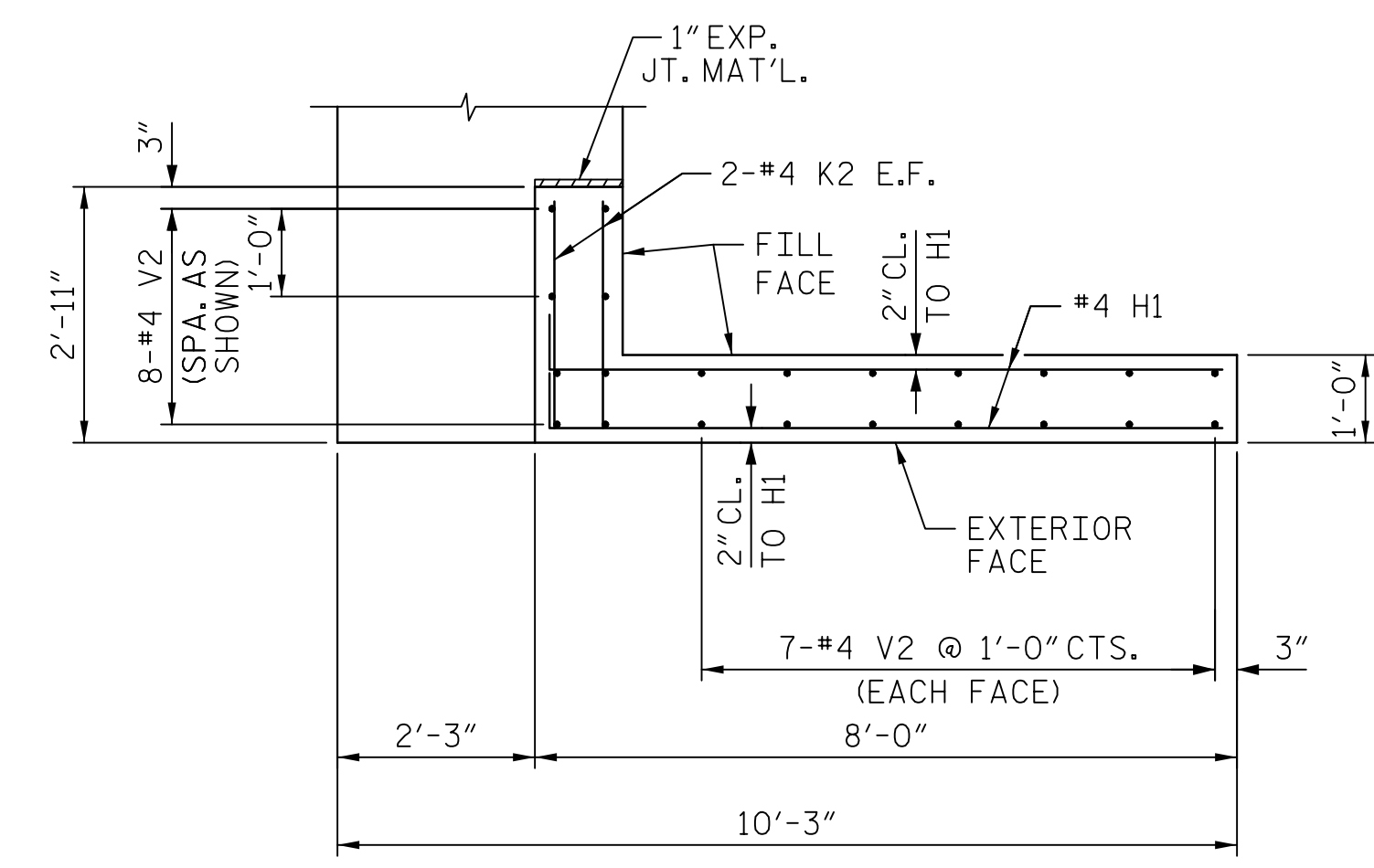
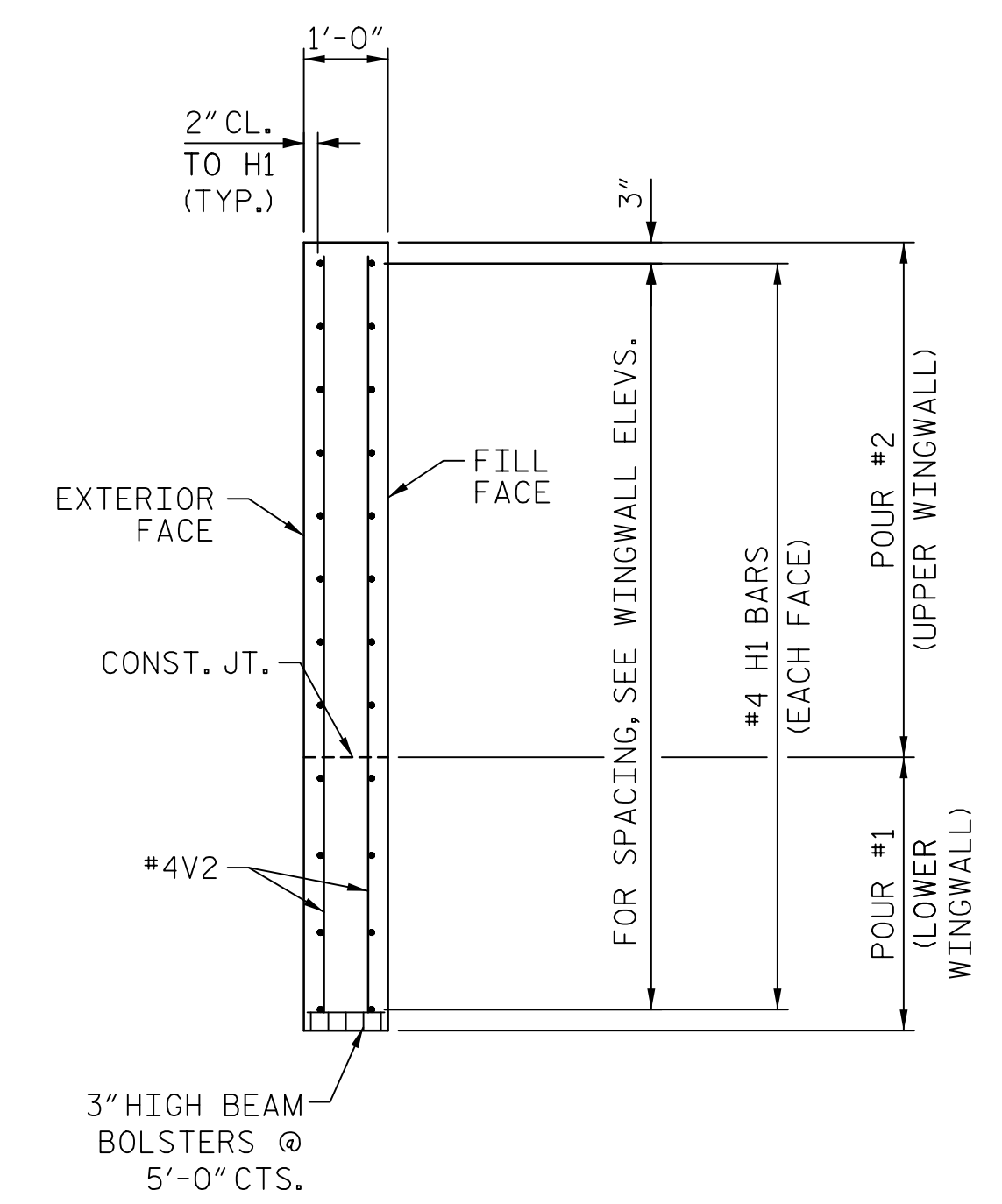


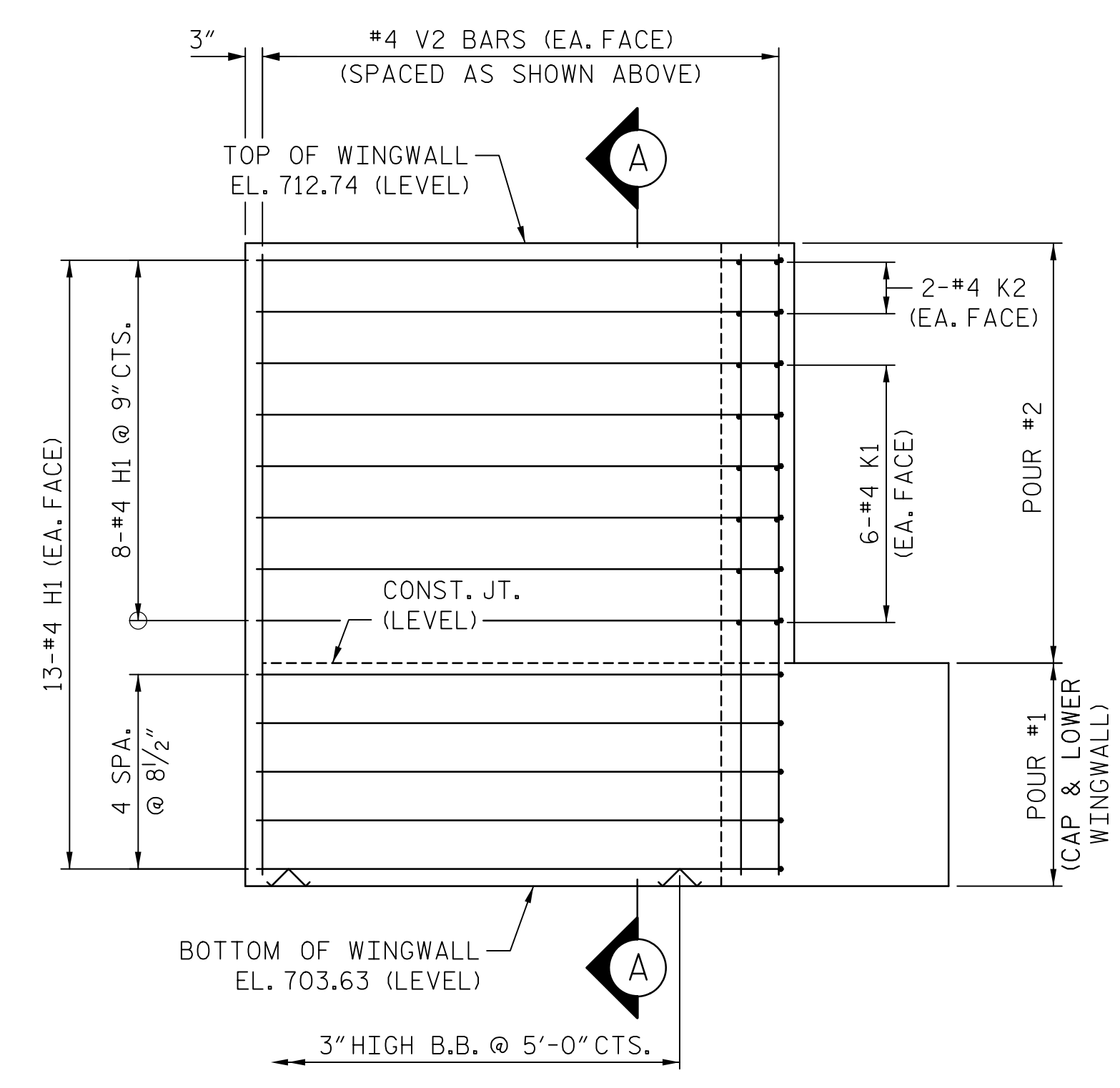
PLAN - WINGWALL 1



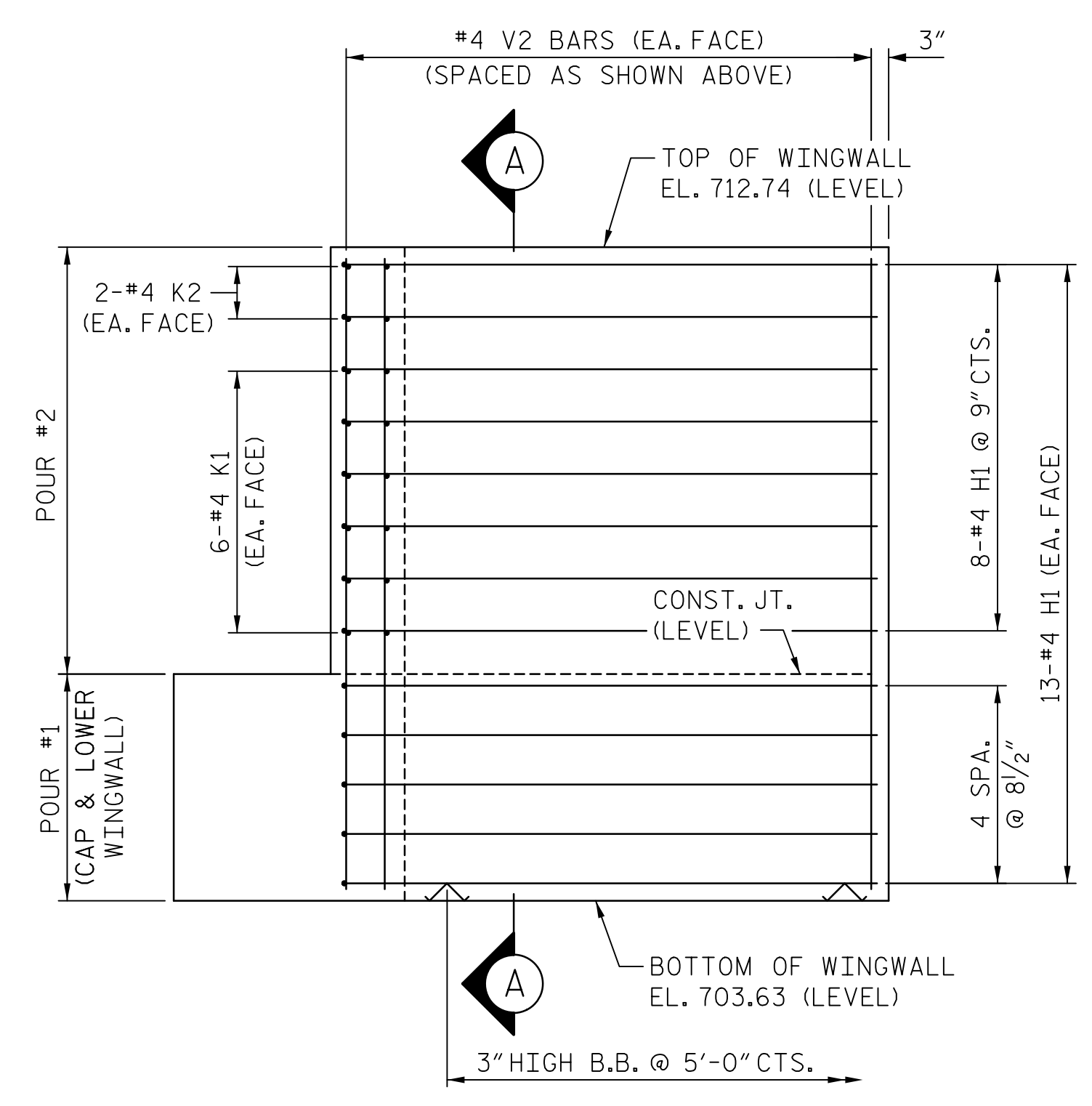
PLAN - WINGWALL 2



SECTION "A-A"



ELEVATION - WINGWALL 1



ELEVATION - WINGWALL 2

PROJECT NO. U-2707
FORSYTH COUNTY
 STATION: 90+25.00 -L-
 SHEET 2 OF 3 BRIDGE NO. 656

AECOM
AECOM TECHNICAL SERVICES, INC.
 701 CORPORATE CENTER DRIVE, SUITE 475
 RALEIGH, NC 27607
 (919) 854-6200 www.aecom.com
 AECOM License No. F-0342

SEAL
 NORTH CAROLINA PROFESSIONAL ENGINEER
 JOHN C. MORRISON
 1/12/2016

STATE OF NORTH CAROLINA DEPARTMENT OF TRANSPORTATION RALEIGH					
SUBSTRUCTURE END BENT 2 DETAILS					
SHEET NO. S-38					
TOTAL SHEETS 86					
REVISIONS					
NO.	BY:	DATE:	NO.	BY:	DATE:

DOCUMENT NOT CONSIDERED FINAL UNLESS ALL SIGNATURES COMPLETED

USER: A:\w\corruption DON: A:\ET\pdp\656\Corr\401_075_U2707_SML_538_EB2_02.dgn DATE: 1/12/2016 TIME: 9:25:09 AM

DRAWN BY: MKT DATE: 11/2015
 CHECKED BY: JCM DATE: 11/2015