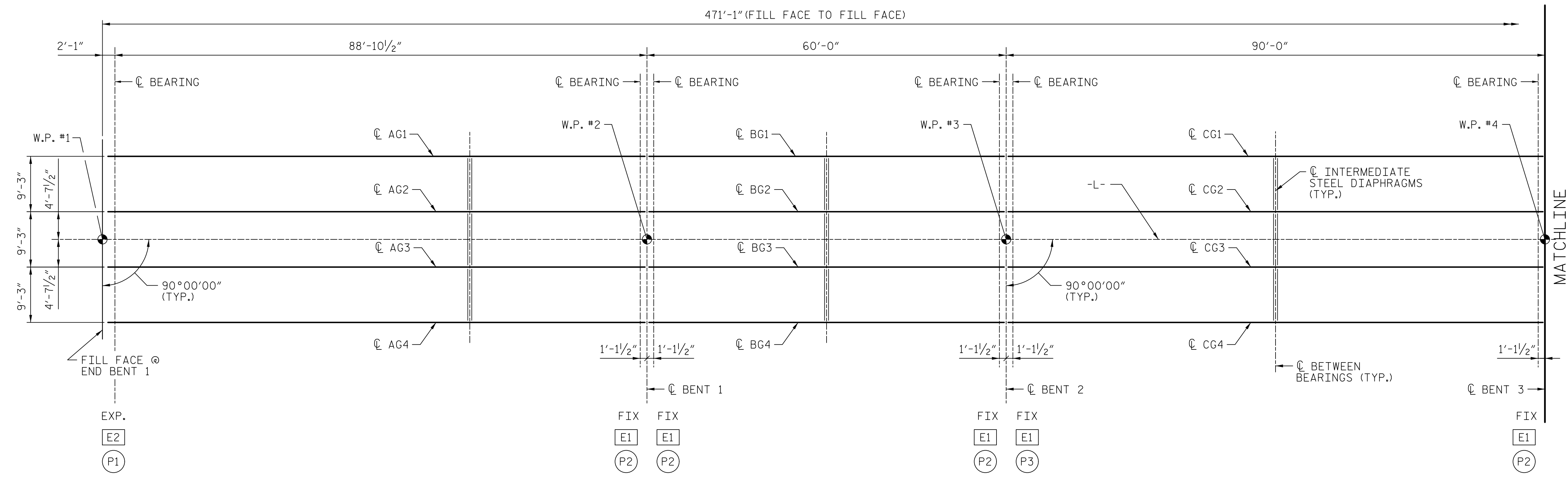
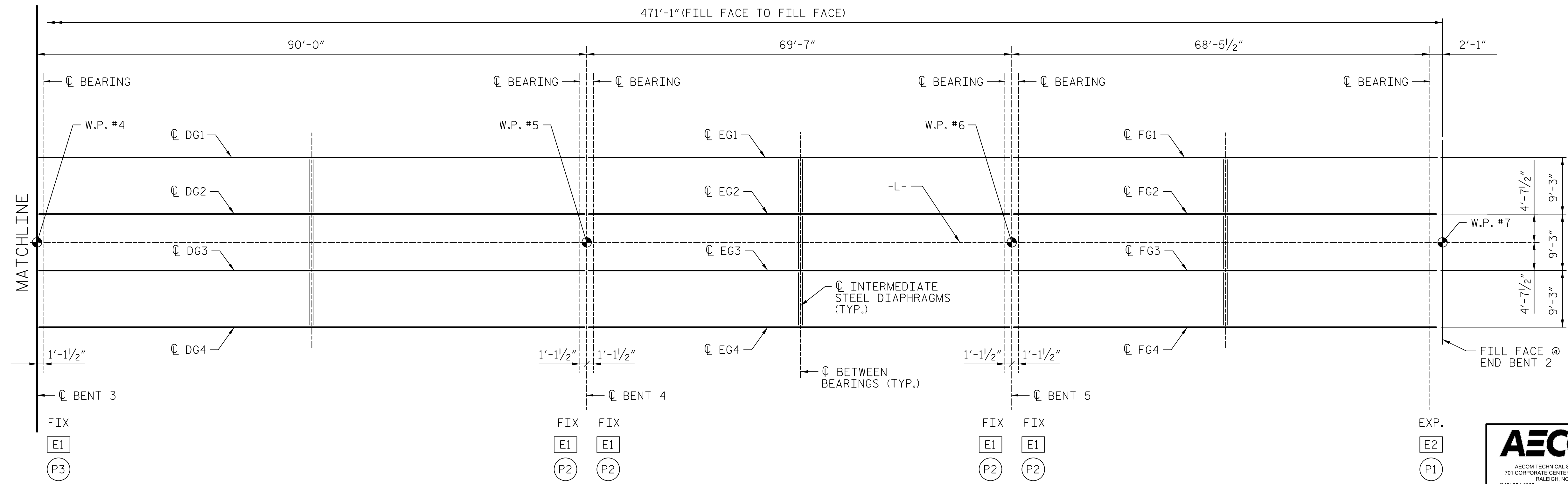


NOTES:
 ELASTOMERIC BEARINGS INDICATED THUS: (EN) (N= NUMBER).
 SOLE PLATES INDICATED THUS: (PN) (N= NUMBER).

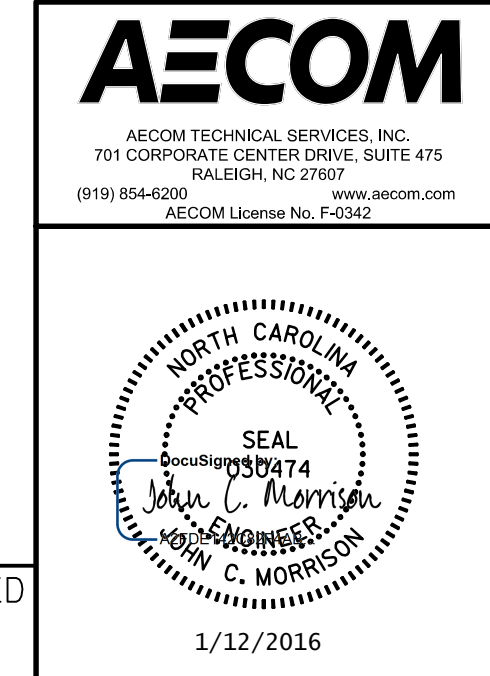


FRAMING PLAN



FRAMING PLAN

PROJECT NO. U-2707
 FORSYTH COUNTY
 STATION: 90+25.00 -L-
 BRIDGE NO. 656



STATE OF NORTH CAROLINA
 DEPARTMENT OF TRANSPORTATION
 RALEIGH

SUPERSTRUCTURE FRAMING PLAN

REVISIONS					
NO.	BY:	DATE:	NO.	BY:	DATE:
1			3		
2			4		

SHEET NO. **S-13**
 TOTAL SHEETS **86**

DOCUMENT NOT CONSIDERED
 FINAL UNLESS ALL
 SIGNATURES COMPLETED

DATE: 1/12/2016 TIME: 9:54:53 AM
 USER: jcm\jcm.dgn FILE: E:\Projects\656\656.dwg\40_UG5_UG2707_SML_S13.FP.dgn

DRAWN BY : KHC DATE : 11/2015
 CHECKED BY : JCM DATE : 11/2015