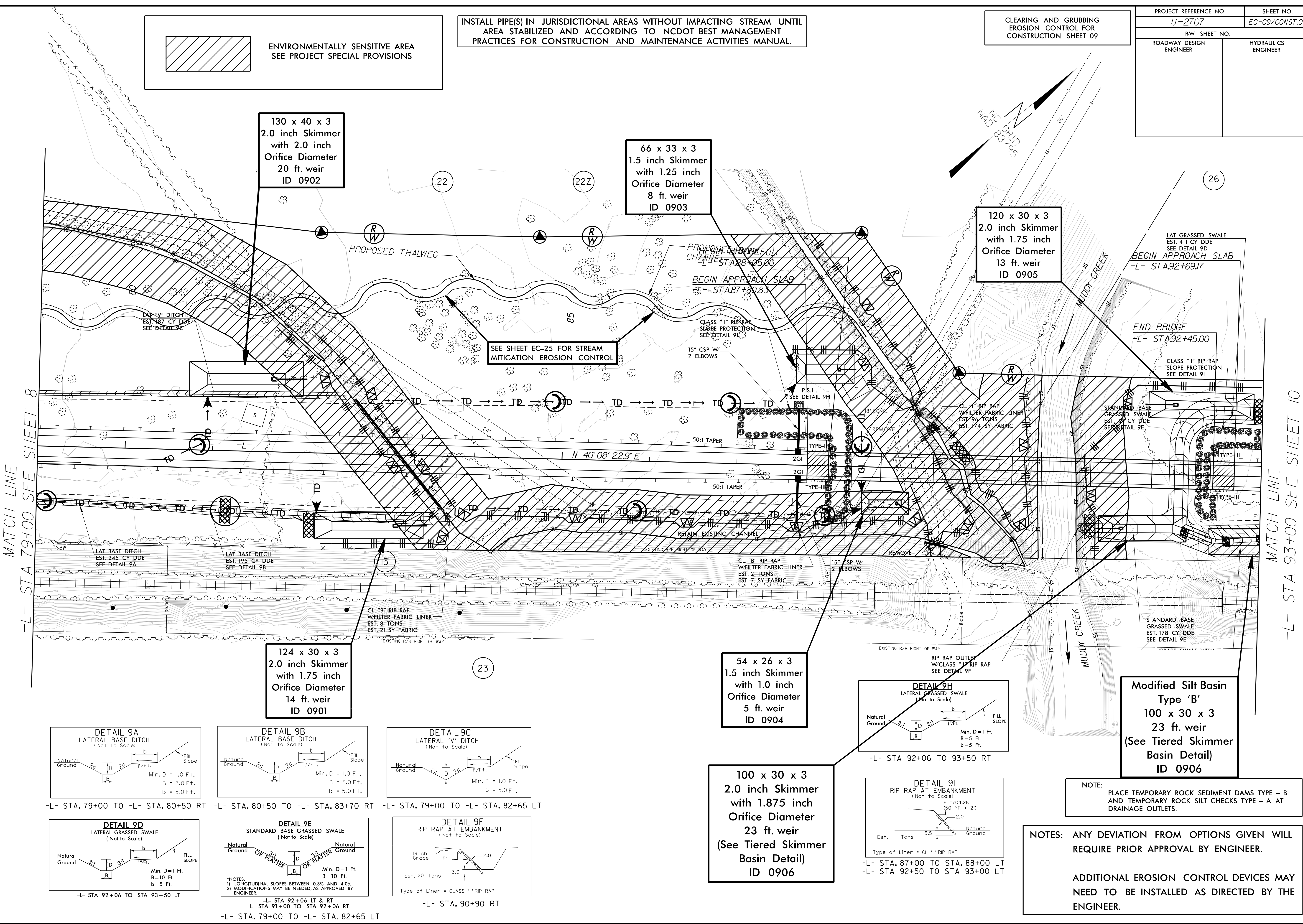


ENVIRONMENTALLY SENSITIVE AREA  
SEE PROJECT SPECIAL PROVISIONS

INSTALL PIPE(S) IN JURISDICTIONAL AREAS WITHOUT IMPACTING STREAM UNTIL AREA STABILIZED AND ACCORDING TO NCDOT BEST MANAGEMENT PRACTICES FOR CONSTRUCTION AND MAINTENANCE ACTIVITIES MANUAL.

CLEARING AND GRUBBING  
EROSION CONTROL FOR  
CONSTRUCTION SHEET 09



130 x 40 x 3  
2.0 inch Skimmer  
with 2.0 inch  
Orifice Diameter  
20 ft. weir  
ID 0902

66 x 33 x 3  
1.5 inch Skimmer  
with 1.25 inch  
Orifice Diameter  
8 ft. weir  
ID 0903

120 x 30 x 3  
2.0 inch Skimmer  
with 1.75 inch  
Orifice Diameter  
13 ft. weir  
ID 0905

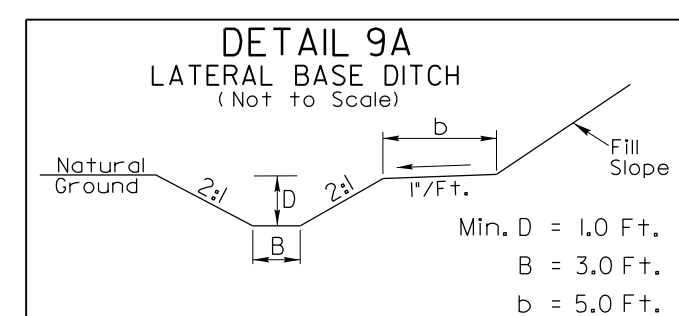
SEE SHEET EC-25 FOR STREAM  
MITIGATION EROSION CONTROL

124 x 30 x 3  
2.0 inch Skimmer  
with 1.75 inch  
Orifice Diameter  
14 ft. weir  
ID 0901

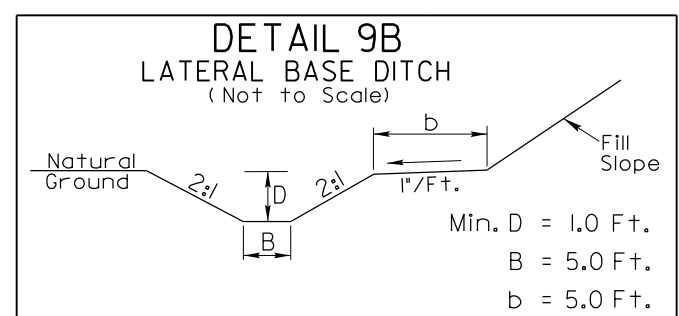
54 x 26 x 3  
1.5 inch Skimmer  
with 1.0 inch  
Orifice Diameter  
5 ft. weir  
ID 0904

100 x 30 x 3  
2.0 inch Skimmer  
with 1.875 inch  
Orifice Diameter  
23 ft. weir  
(See Tiered Skimmer  
Basin Detail)  
ID 0906

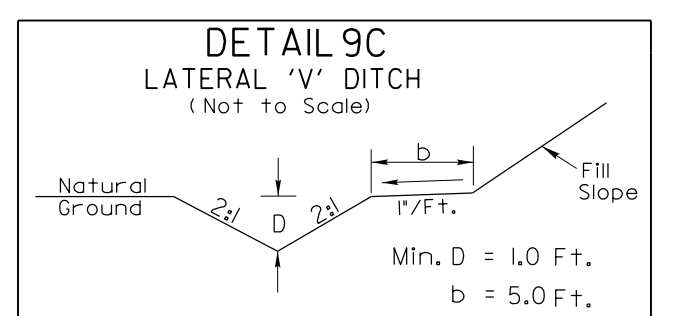
Modified Silt Basin  
Type 'B'  
100 x 30 x 3  
23 ft. weir  
(See Tiered Skimmer  
Basin Detail)  
ID 0906



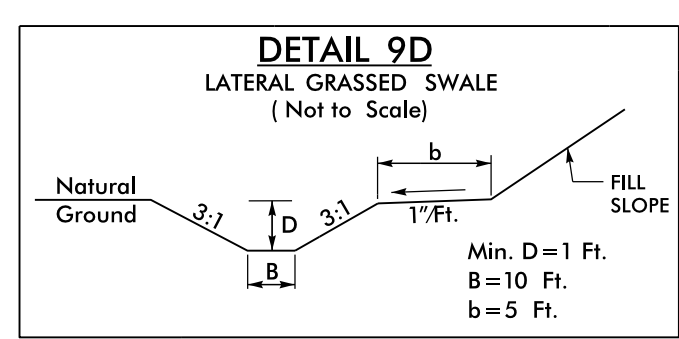
-L- STA. 79+00 TO -L- STA. 80+50 RT



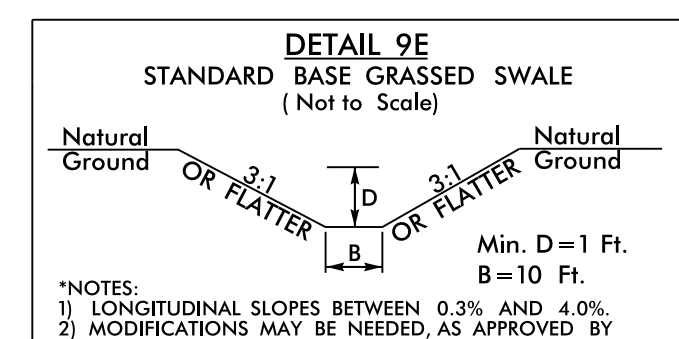
-L- STA. 80+50 TO -L- STA. 83+70 RT



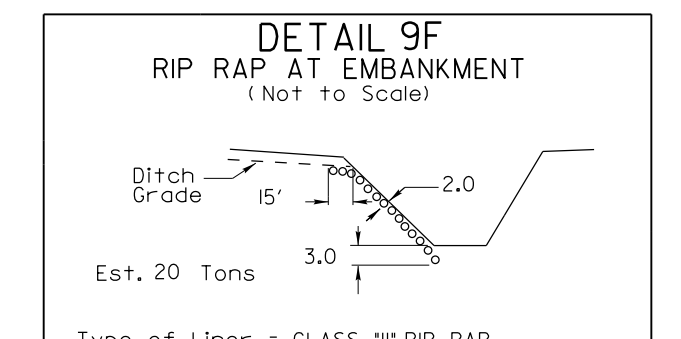
-L- STA. 79+00 TO -L- STA. 82+65 LT



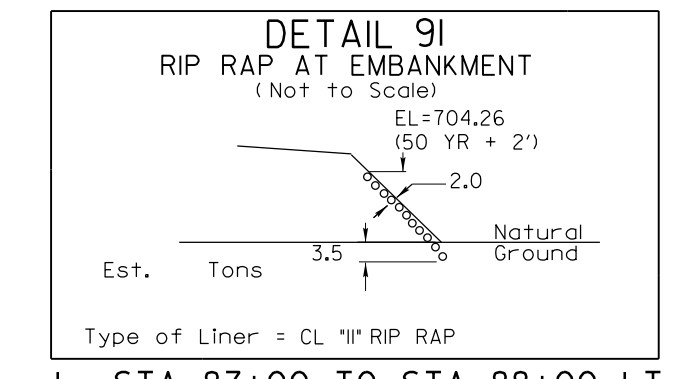
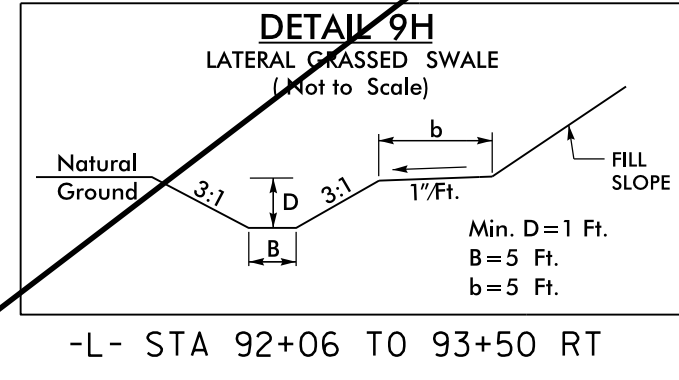
-L- STA. 92+06 TO STA. 93+50 LT



-L- STA. 92+06 LT & RT  
-L- STA. 91+00 TO STA. 92+06 RT  
-L- STA. 79+00 TO -L- STA. 82+65 LT



-L- STA. 90+90 RT



NOTE:  
PLACE TEMPORARY ROCK SEDIMENT DAMS TYPE - B AND TEMPORARY ROCK SILT CHECKS TYPE - A AT DRAINAGE OUTLETS.

NOTES: ANY DEVIATION FROM OPTIONS GIVEN WILL REQUIRE PRIOR APPROVAL BY ENGINEER.

ADDITIONAL EROSION CONTROL DEVICES MAY NEED TO BE INSTALLED AS DIRECTED BY THE ENGINEER.

MATCH LINE  
-L- STA 79+00 SEE SHEET 8

MATCH LINE  
-L- STA 93+00 SEE SHEET 10