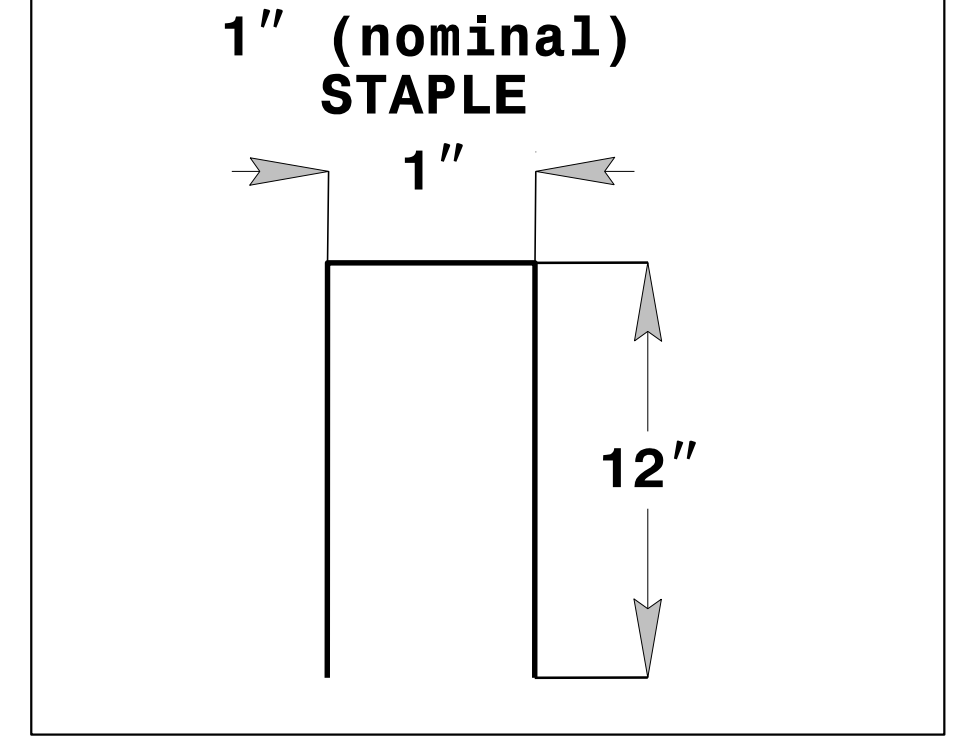
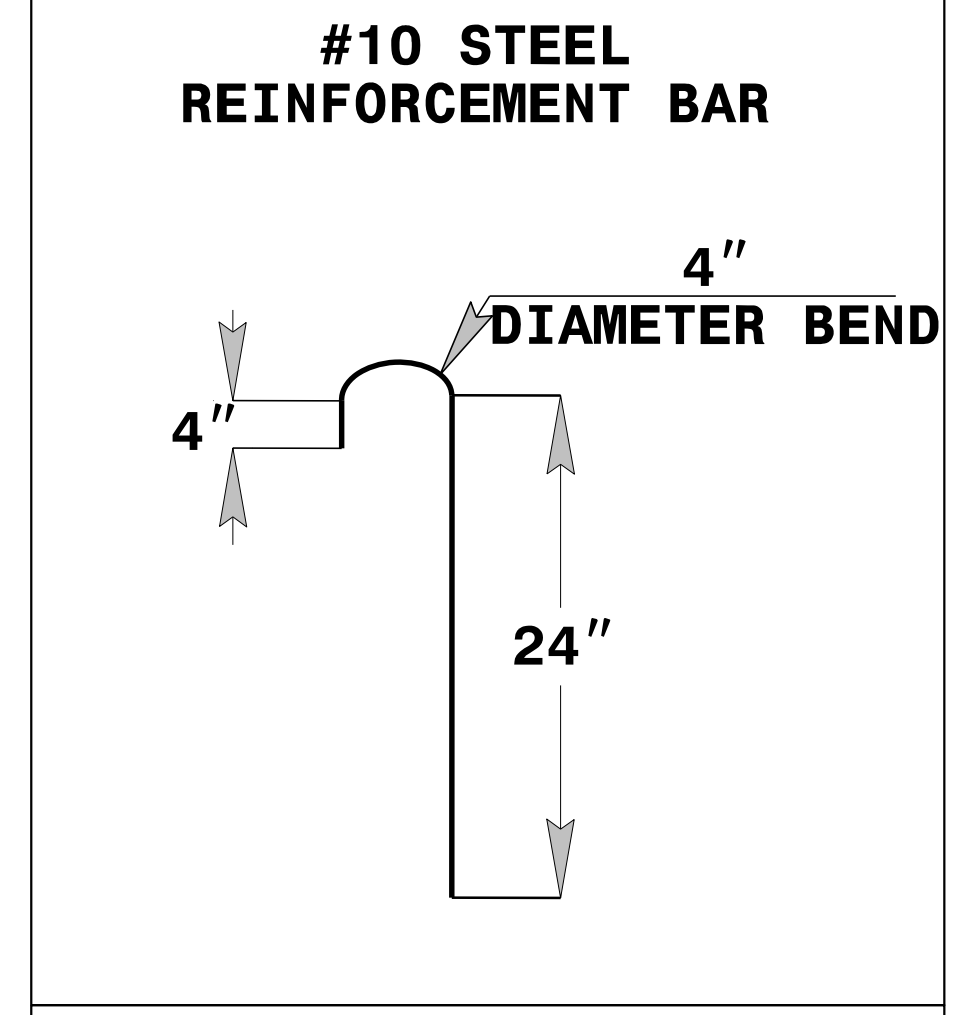
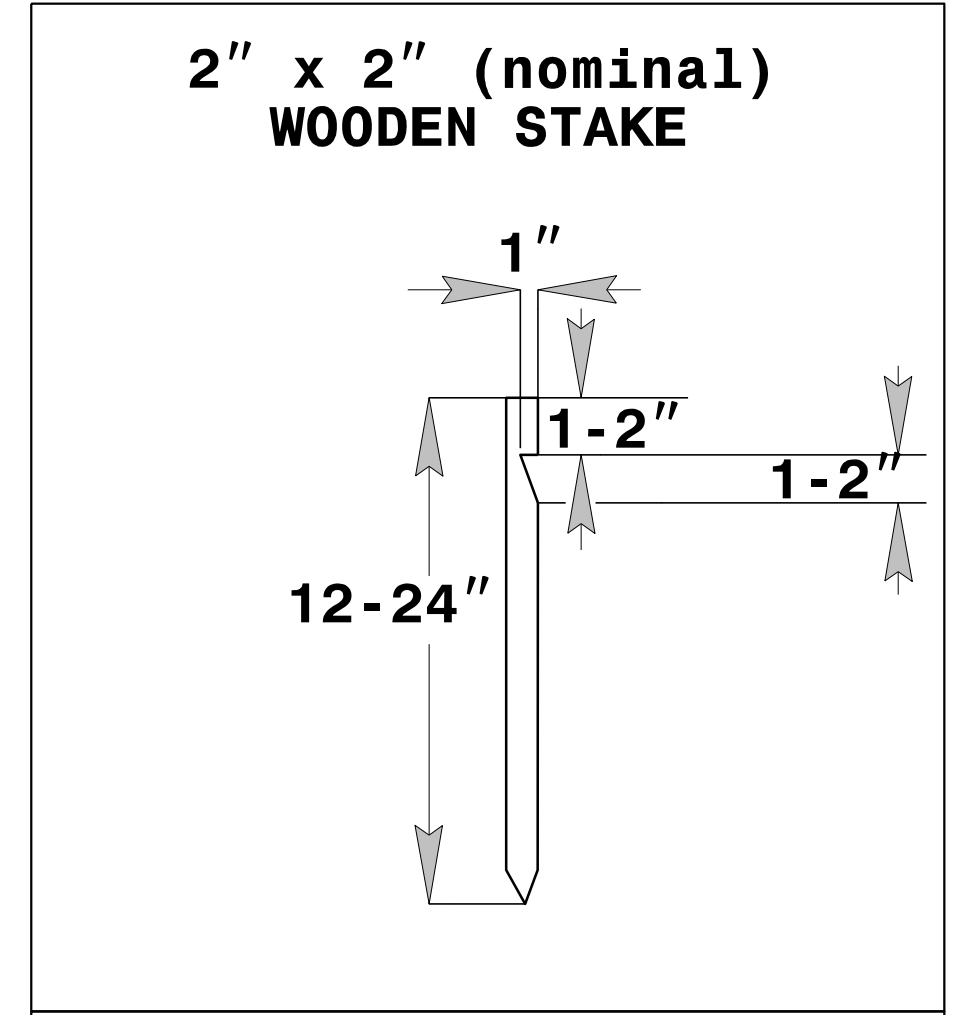
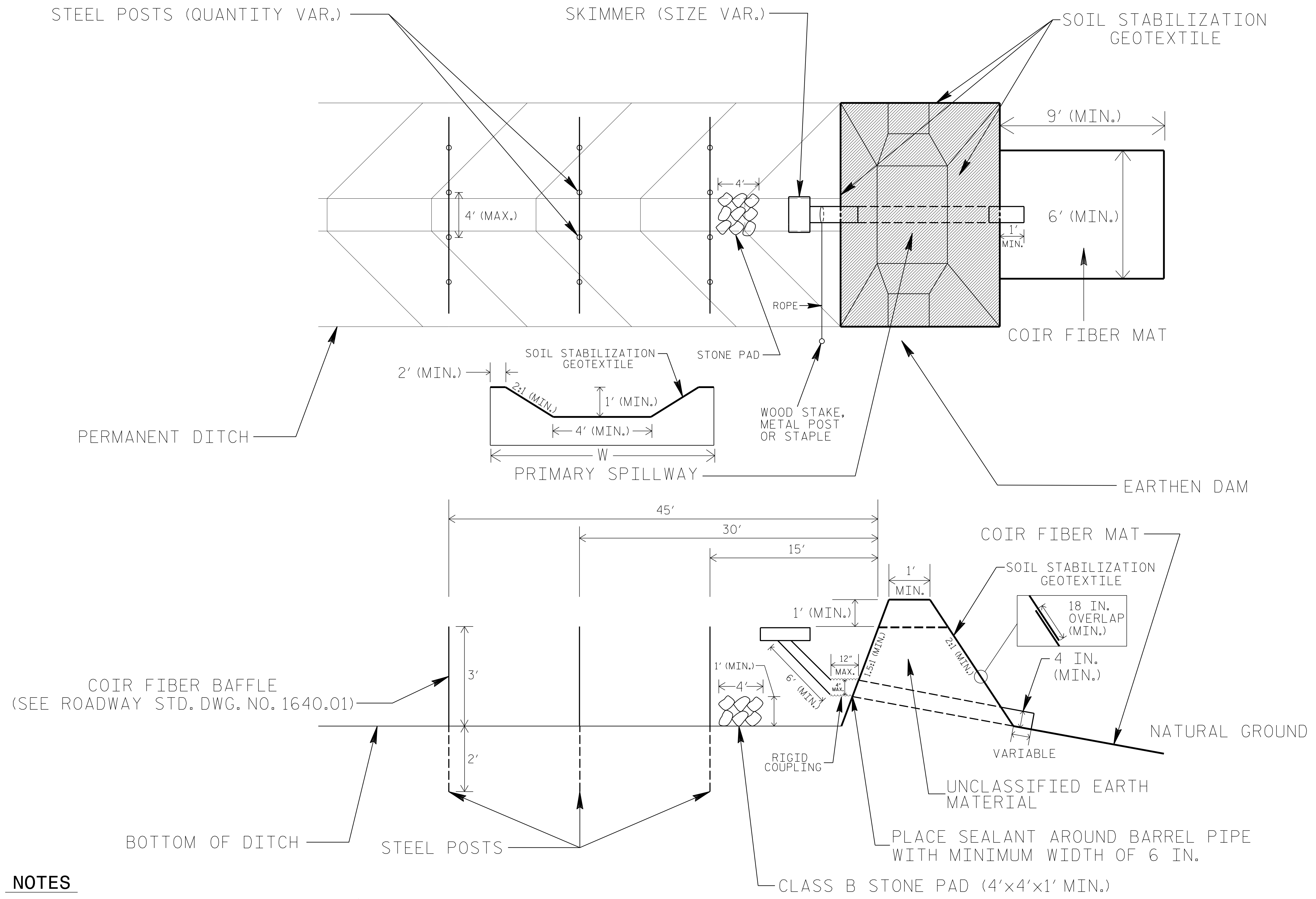


PROJECT REFERENCE NO. U-2707	SHEET NO. EC-2B
RW SHEET NO.	
ROADWAY DESIGN ENGINEER	HYDRAULICS ENGINEER

# EARTHEN DAM WITH SKIMMER



**COIR FIBER MAT ANCHOR OPTIONS**

- NOTES**
1. LIMIT EARTHEN DAM HEIGHT TO 5 FT.
  2. DETERMINE PRIMARY SPILLWAY LENGTH (FT.) USING  $Q/0.8$ , WHERE Q IS FLOW RATE (CFS) INTO BASIN.
  3. SOIL STABILIZATION GEOTEXTILE FOR PRIMARY SPILLWAY SHALL BE ONE CONTINUOUS PIECE OF MATERIAL OR OVERLAPPED 18 IN. (MIN.).

NOT TO SCALE