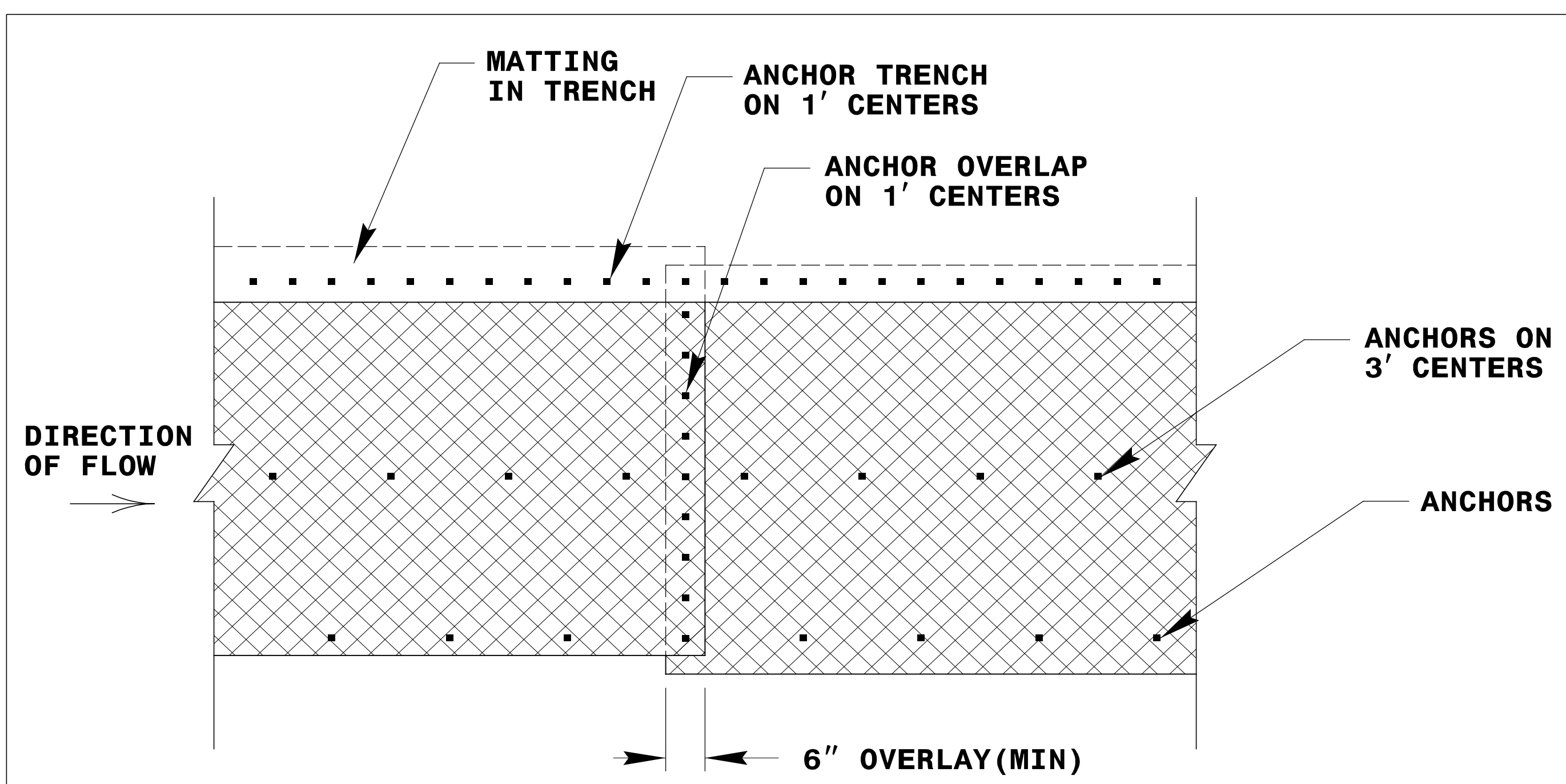
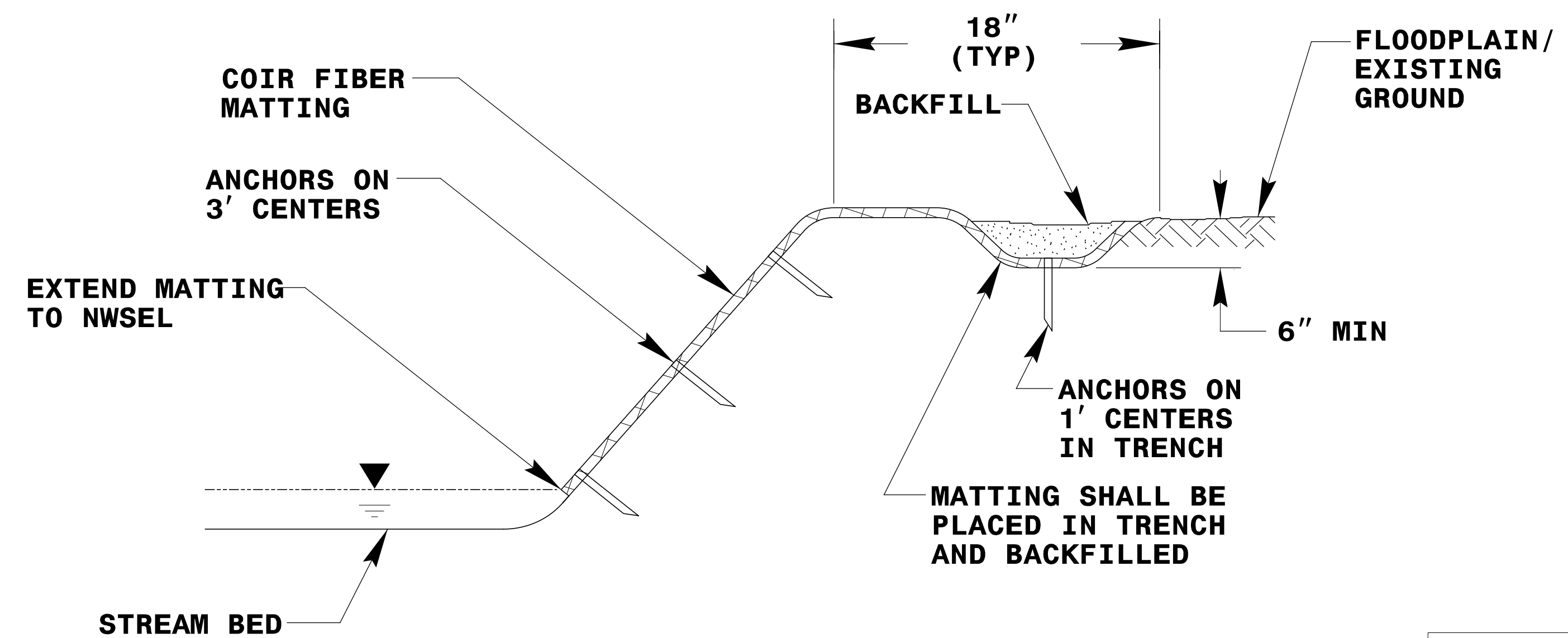


PROJECT REFERENCE NO. U-2707	SHEET NO. NS-6
RW SHEET NO.	
HYDRAULICS ENGINEER 2/19/2019 NORTH CAROLINA PROFESSIONAL SEAL 036254 EMMETT PERDUE DocuSign Emmett Perdue 777E39AC4947D	

REVISIONS



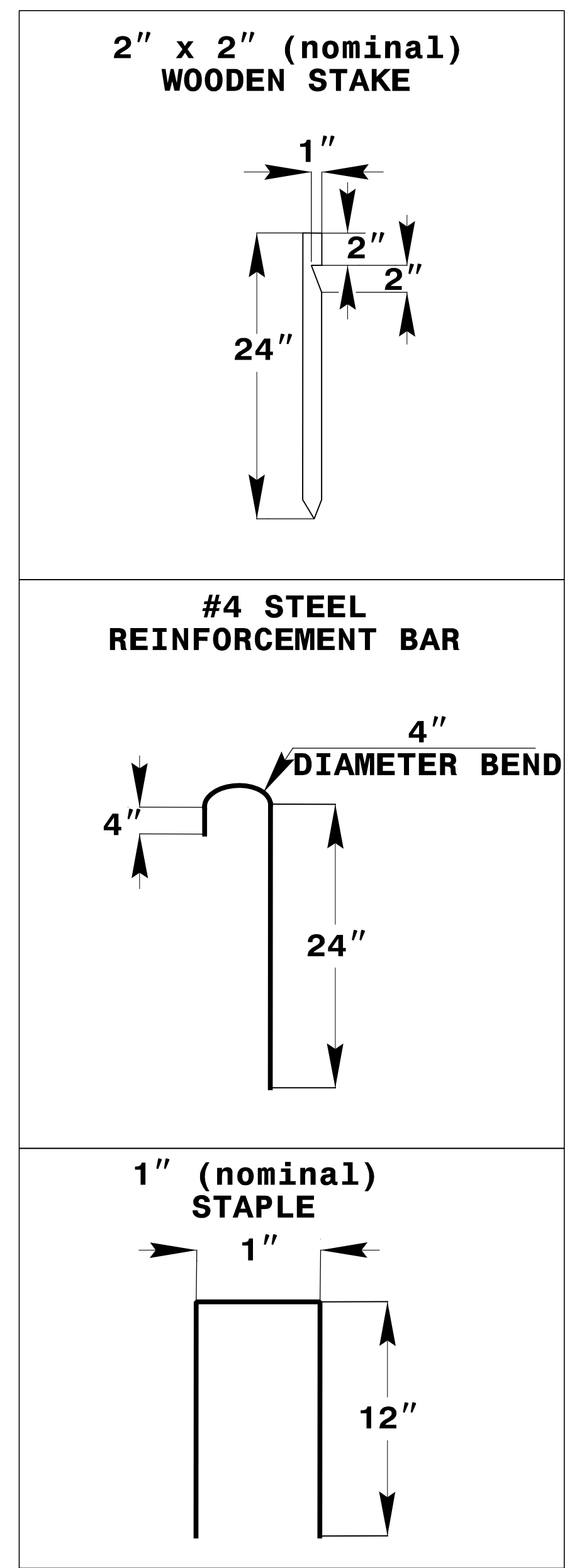
PLAN VIEW



TYPICAL CROSS SECTION

COIR FIBER MATTING DETAIL

NOT TO SCALE



ANCHOR OPTIONS

- NOTES:**
1. IN AREAS TO BE MATTED, ALL SEEDING, SOIL AMENDMENTS, AND SOIL PREPARATION MUST BE COMPLETED IN ACCORDANCE WITH THE PROJECT SPECIFICATIONS PRIOR TO PLACEMENT OF COIR FIBER MATTING.
 2. REBAR OR STAPLES MAY BE USED IN PLACE OF WOODEN STAKES AS DIRECTED BY THE ENGINEER.