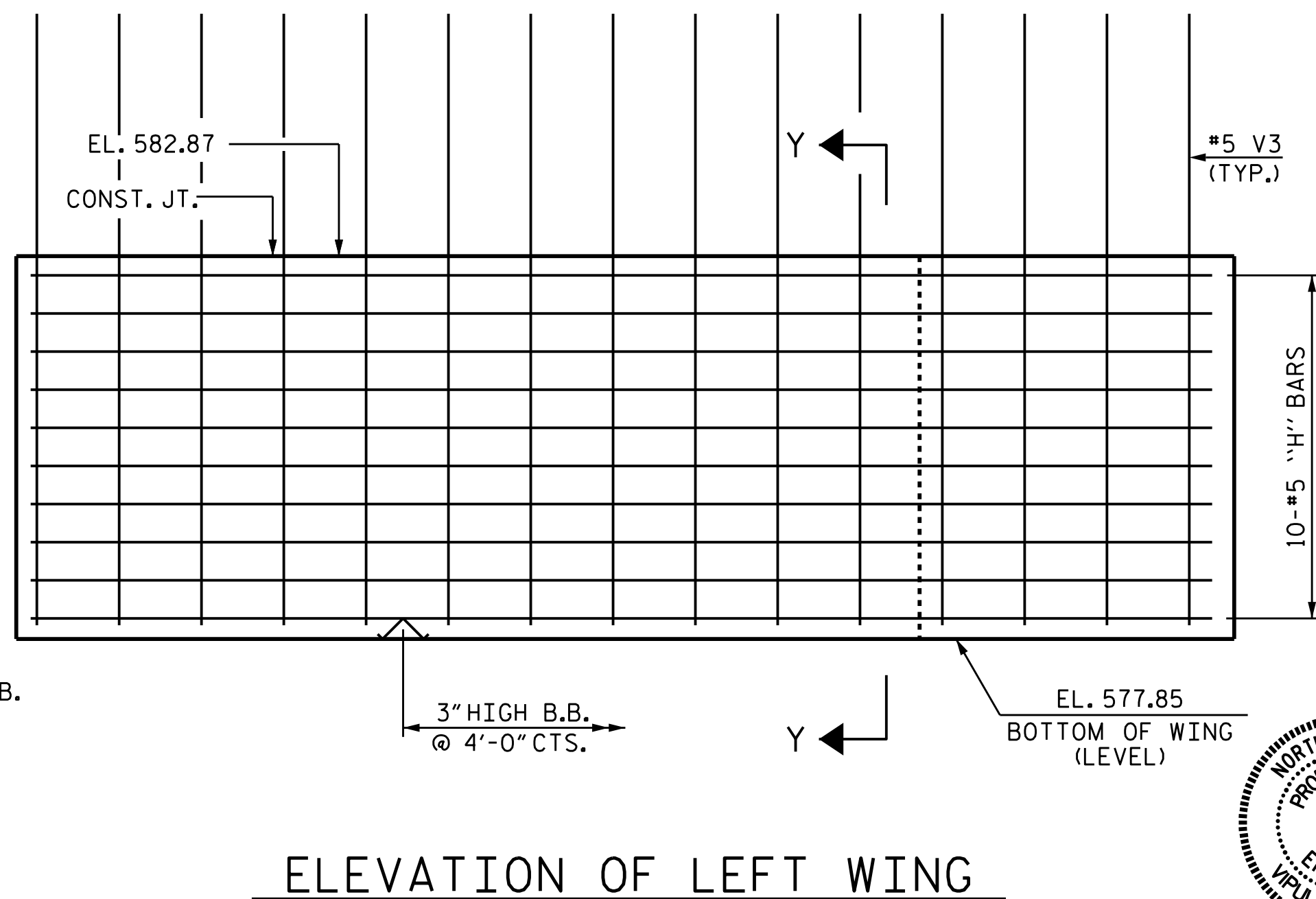
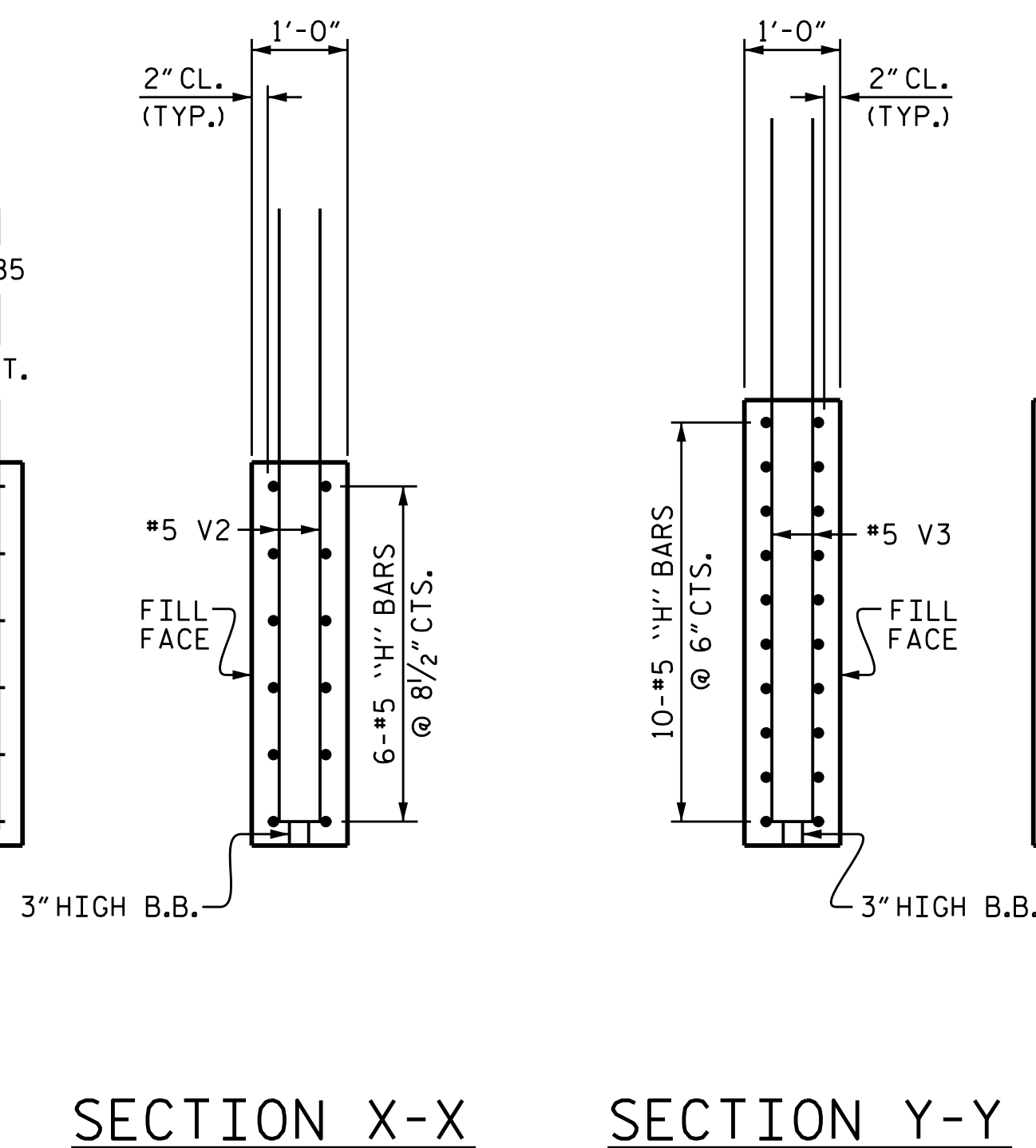
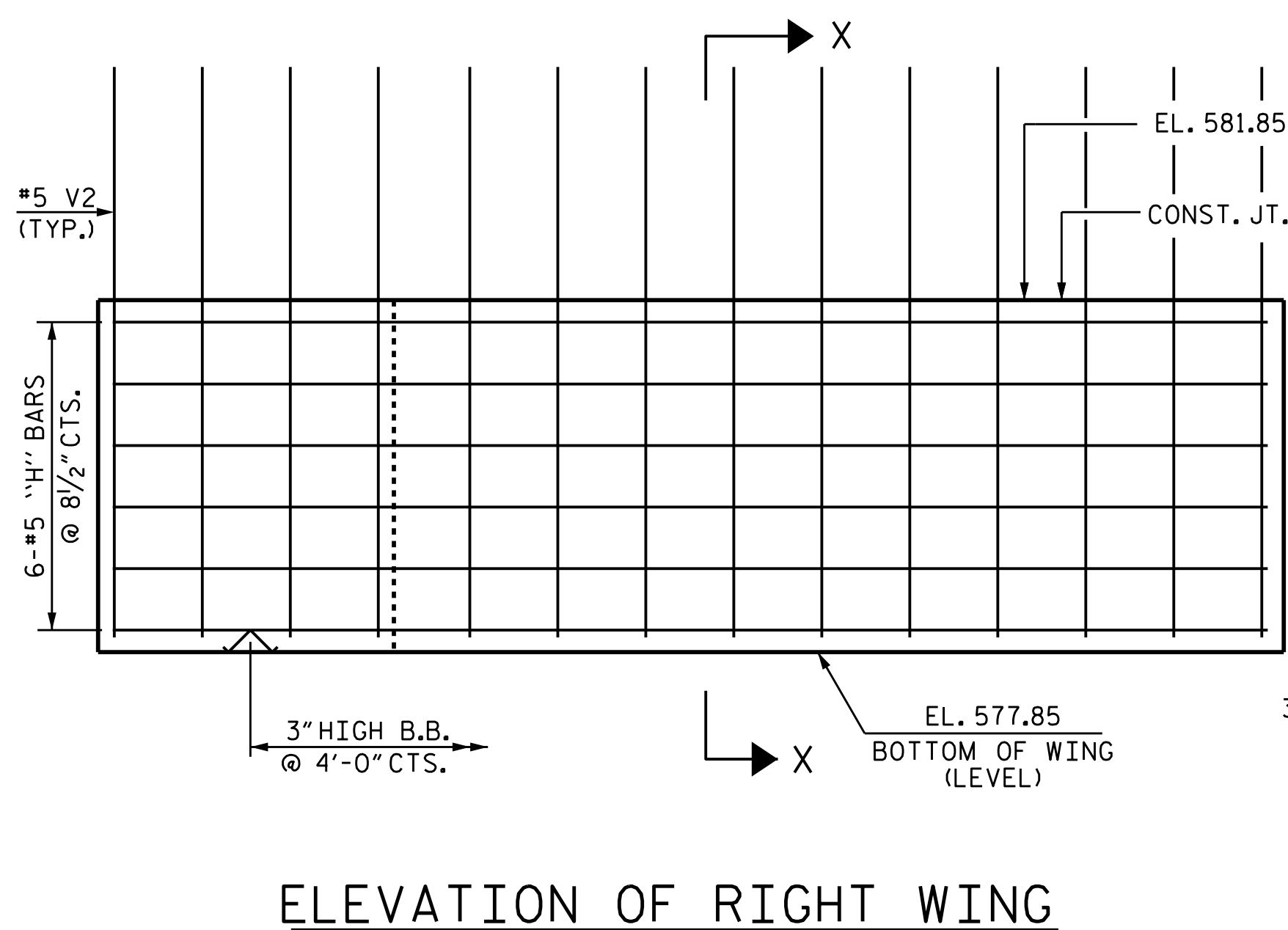
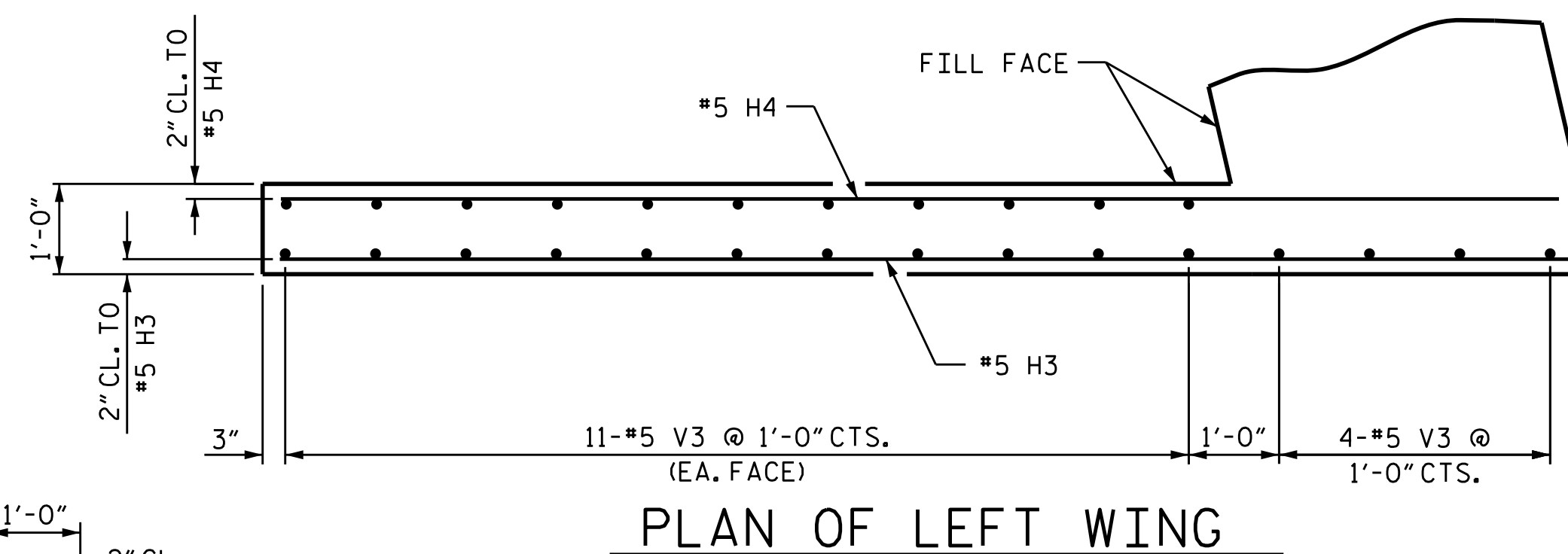
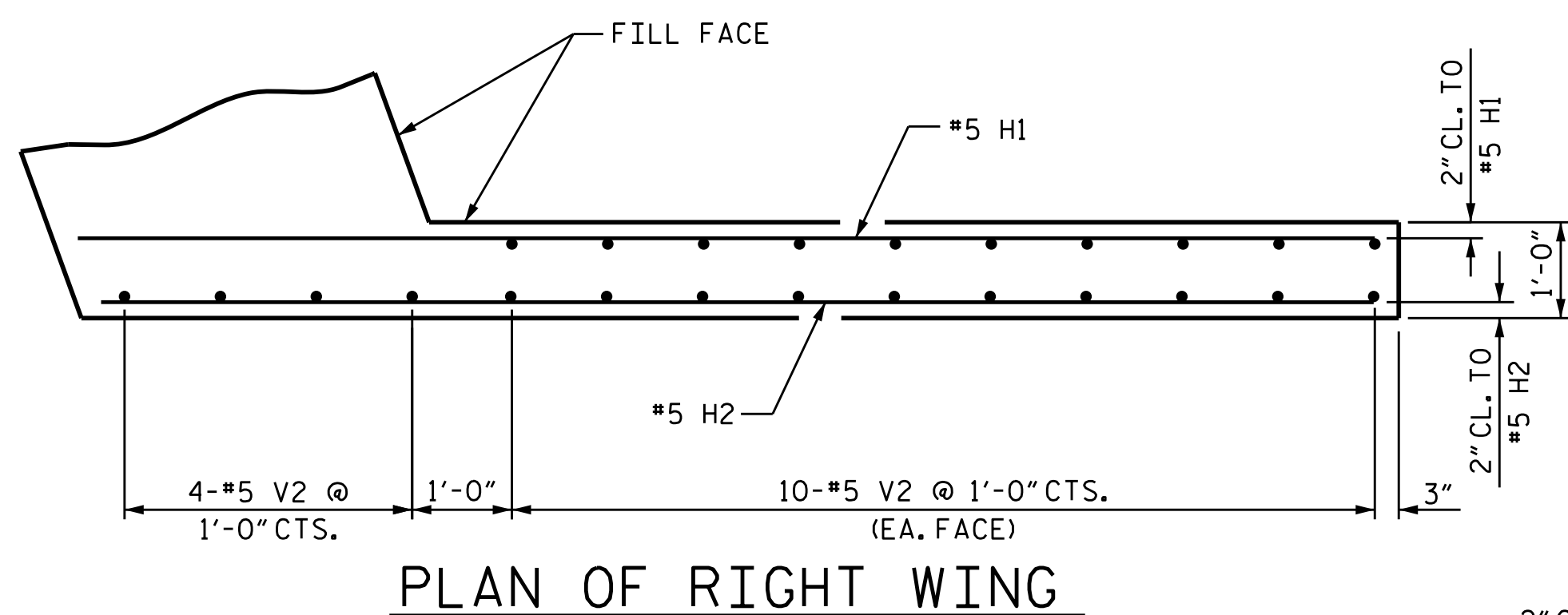
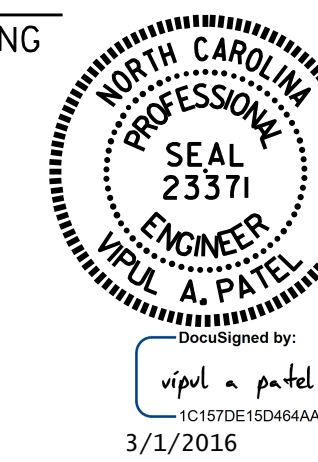


BILL OF MATERIAL					
END BENT 2					
BAR	NO.	SIZE	TYPE	LENGTH	WEIGHT
B1	10	#9	1	37'-5"	1272
B2	5	#9	1	60'-0"	1020
B3	1	#9	1	17'-4"	59
B4	1	#9	1	17'-8"	60
B5	1	#9	1	18'-0"	61
B6	1	#9	1	18'-3"	62
B7	1	#9	1	18'-7"	63
B8	30	#4	STR	23'-8"	474
B9	19	#4	STR	3'-5"	43
B10	5	#4	STR	17'-2"	57
B11	5	#4	STR	8'-7"	29
H1	6	#5	STR	13'-11"	87
H2	6	#5	STR	13'-8"	86
H3	10	#5	STR	14'-4"	149
H4	10	#5	STR	14'-1"	147
S1	62	#4	3	11'-5"	473
S2	82	#4	2	4'-2"	228
S3	44	#4	4	6'-6"	191
S4	20	#4	3	12'-11"	173
U1	18	#4	5	6'-5"	77
V1	108	#5	STR	6'-11"	779
V2	24	#5	STR	10'-0"	250
V3	26	#5	STR	11'-1"	301
REINFORCING STEEL				LBS.	6,141
CLASS A CONCRETE					
CAP, LOWER WINGS & COLLARS				C.Y.	46.0
HP 12X53 STEEL PILES					
NO. 11				LIN. FT.	360



PROJECT NO. B-5123
CABARRUS COUNTY
STATION: 21+44.10 -L-

SHEET 2 OF 2



STATE OF NORTH CAROLINA
DEPARTMENT OF TRANSPORTATION
RALEIGH
SUBSTRUCTURE
INTEGRAL
END BENT 2
(RIGHT LANE)

REVISIONS						SHEET NO.
NO.	BY:	DATE:	NO.	BY:	DATE:	S-69
1			3			TOTAL SHEETS
2			4			74

DOCUMENT NOT CONSIDERED FINAL UNLESS ALL SIGNATURES COMPLETED

DRAWN BY: N.D. AIUTO DATE: 11/17/15
CHECKED BY: K.D. LAYNE DATE: 11/18/15
DESIGN ENGINEER OF RECORD: T.H. CARROLL DATE: 12/7/15