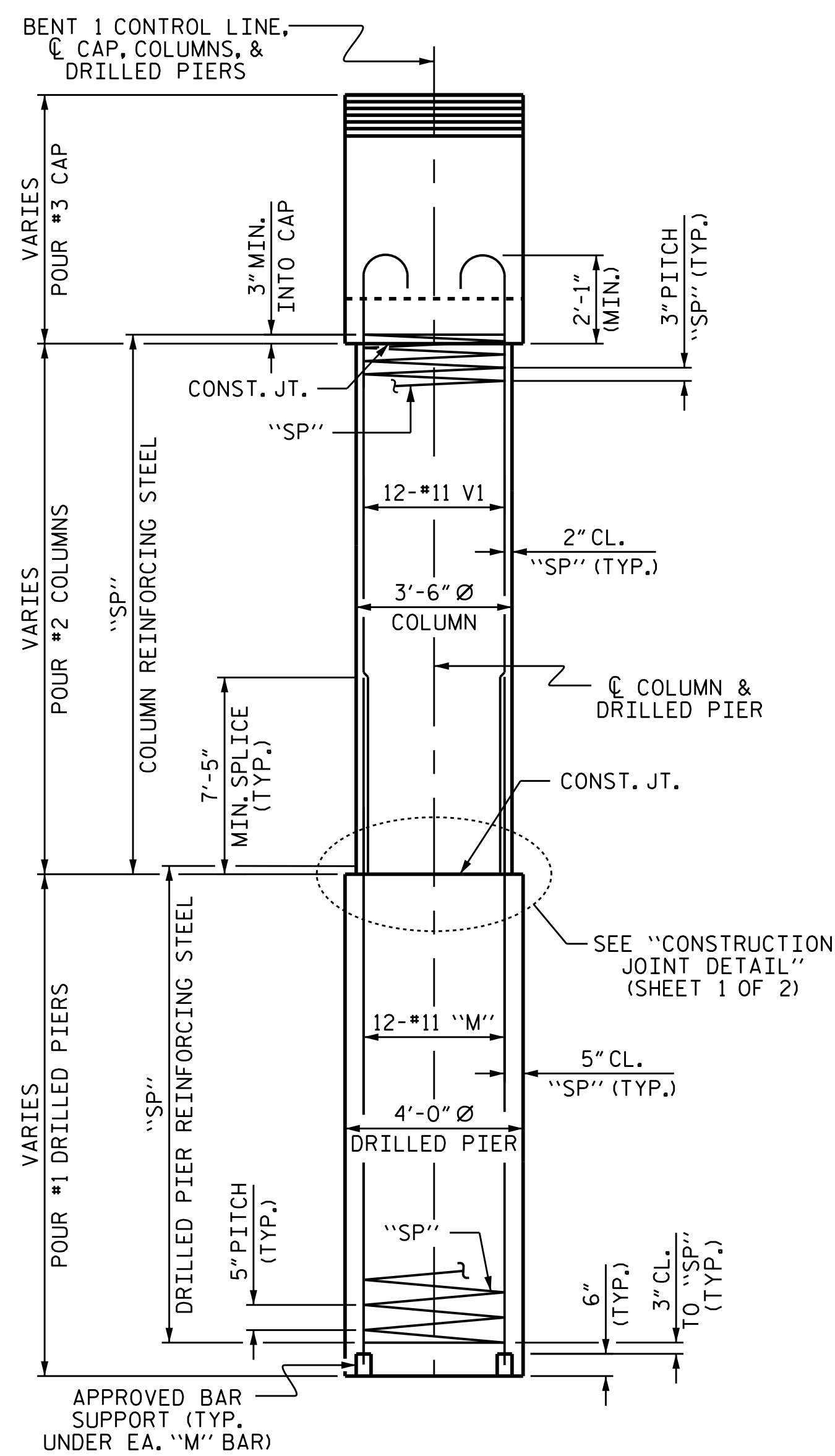
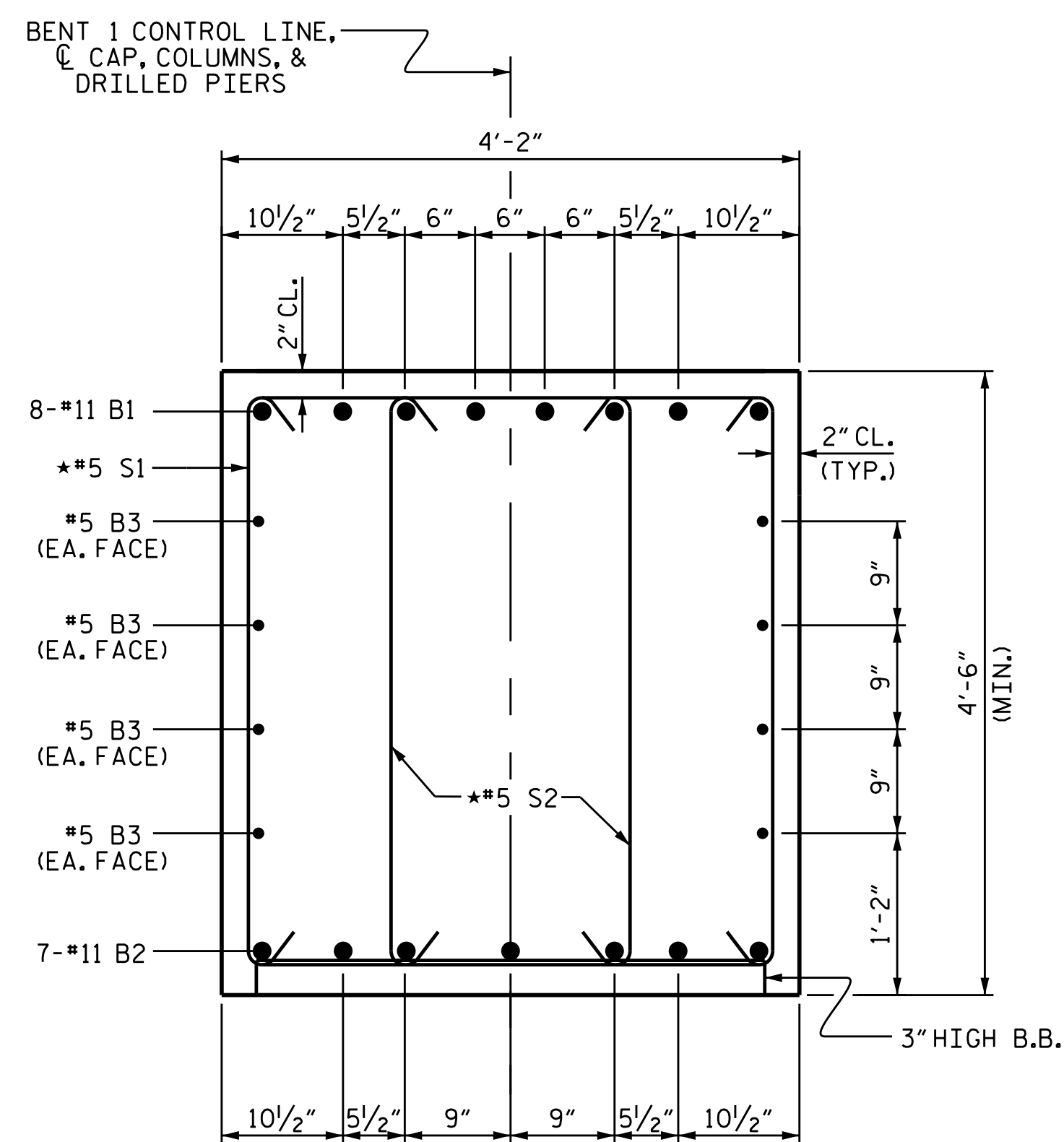


PLAN OF COLUMNS & DRILLED PIERS

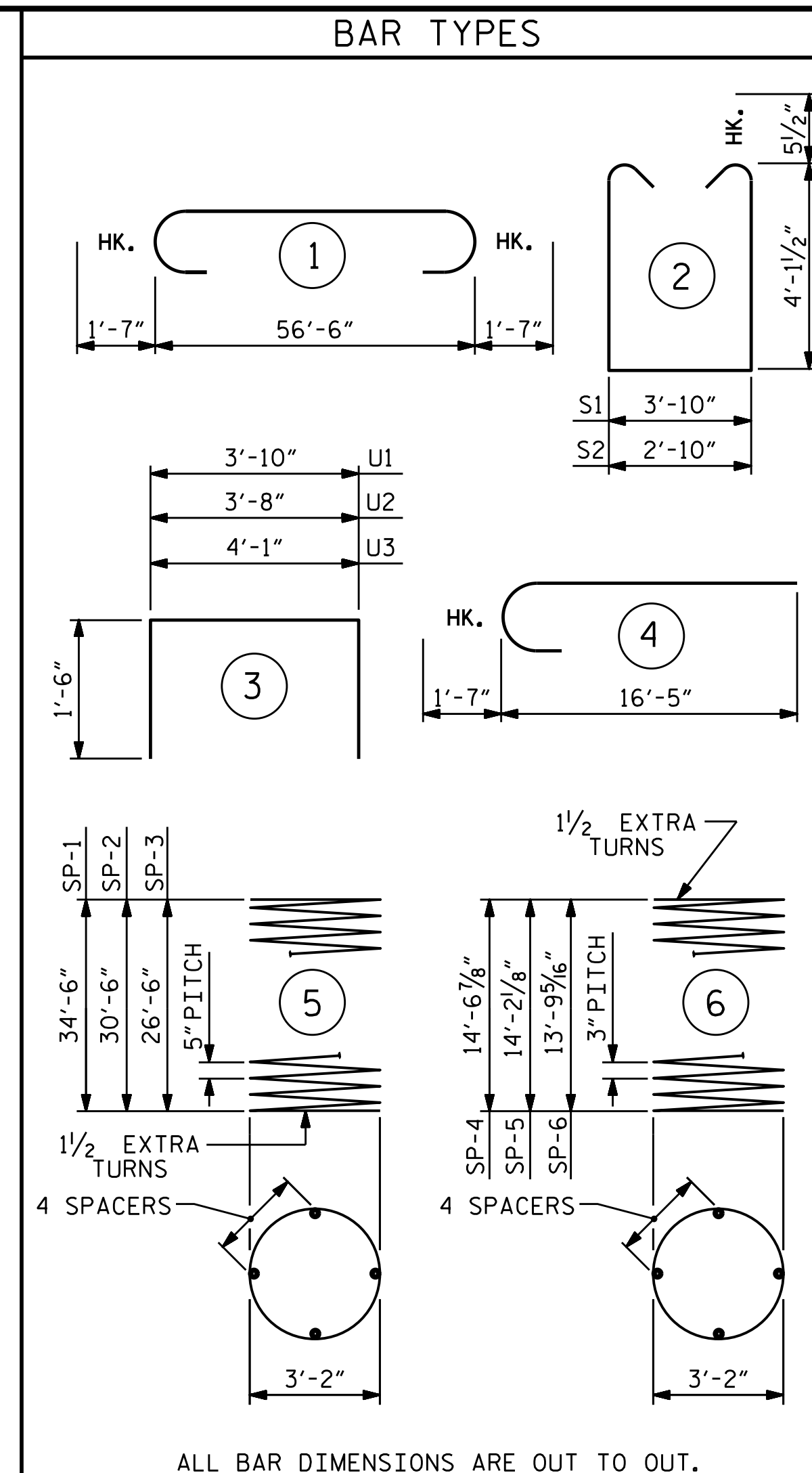


LEFT END ELEVATION

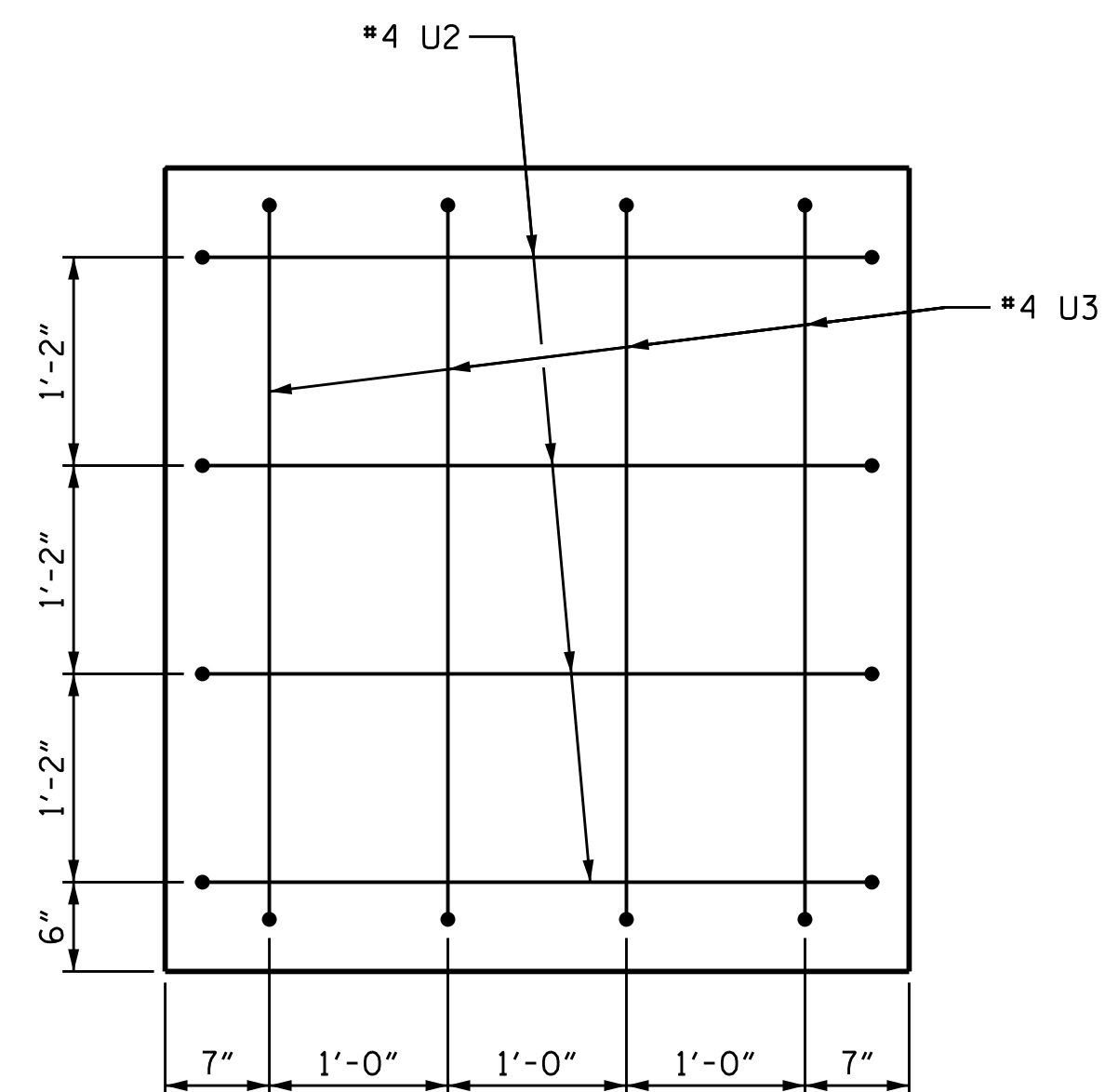


SECTION A-A

\*INVERT ALTERNATE STIRRUPS



ALL BAR DIMENSIONS ARE OUT TO OUT.



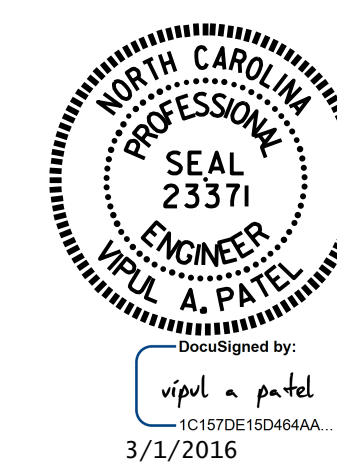
END VIEW

(TYP. EACH END)

BILL OF MATERIAL					
BAR	NO.	SIZE	TYPE	LENGTH	WEIGHT
B1	8	#11	1	59'-8"	2536
B2	7	#11	STR	56'-8"	2107
B3	8	#5	STR	56'-8"	473
M1	12	#11	STR	45'-2"	2880
M2	12	#11	STR	41'-2"	2625
M3	12	#11	STR	37'-4"	2380
S1	54	#5	2	13'-0"	732
S2	28	#5	2	12'-0"	350
U1	63	#4	3	6'-10"	288
U2	8	#4	3	6'-8"	36
U3	8	#4	3	7'-1"	38
V1	36	#11	4	18'-0"	3443
REINFORCING STEEL					LBS. 17,888
SP-1	1	**	5	827'-7"	863
SP-2	1	**	5	732'-1"	764
SP-3	1	**	5	639'-1"	667
SP-4	1	*	6	589'-3"	394
SP-5	1	*	6	572'-1"	382
SP-6	1	*	6	557'-4"	372
SPIRAL COLUMN REINFORCING STEEL					LBS. 3,442
** THE SP-1, SP-2 & SP-3 SPIRAL REINFORCING STEEL SHALL BE W31 OR D-31 COLD DRAWN WIRE OR #5 PLAIN OR DEFORMED BAR.					
* THE SP-4, SP-5, & SP-6 SPIRAL REINFORCING STEEL SHALL BE W20 OR D-20 COLD DRAWN WIRE OR #4 PLAIN OR DEFORMED BAR.					
CLASS A CONCRETE					
POUR #3 (CAP)				C.Y.	40.4
POUR #2 (COLUMNS)				C.Y.	14.9
TOTAL CLASS A CONCRETE					C.Y. 55.3
DRILLED PIER QUANTITIES					
DRILLED PIER CONCRETE					
POUR #1 (DRILLED PIERS)					C.Y. 43.3
4'-0" Ø DRILLED PIERS IN SOIL				LIN. FT.	60.00
4'-0" Ø DRILLED PIERS NOT IN SOIL				LIN. FT.	33.00
PERMANENT STEEL CASING FOR 4'-0" Ø DRILLED PIER					LIN. FT. 63.00
SID INSPECTIONS					EA. 1
SPT TESTING					EA. 1
CSL TESTING					EA. 1
CSL TUBES					LIN. FT. 390

PROJECT NO. B-5123  
 CABARRUS COUNTY  
 STATION: 21+44.10 -L-

SHEET 2 OF 2



REVISIONS						SHEET NO.
NO.	BY:	DATE:	NO.	BY:	DATE:	5-67
1			3			TOTAL SHEETS
2			4			74

DOCUMENT NOT CONSIDERED FINAL UNLESS ALL SIGNATURES COMPLETED

DRAWN BY: J.K. BOWLES DATE: 11/9/15  
 CHECKED BY: N.D. AIUTO DATE: 11/10/15  
 DESIGN ENGINEER OF RECORD: T.H. CARROLL DATE: 12/7/15