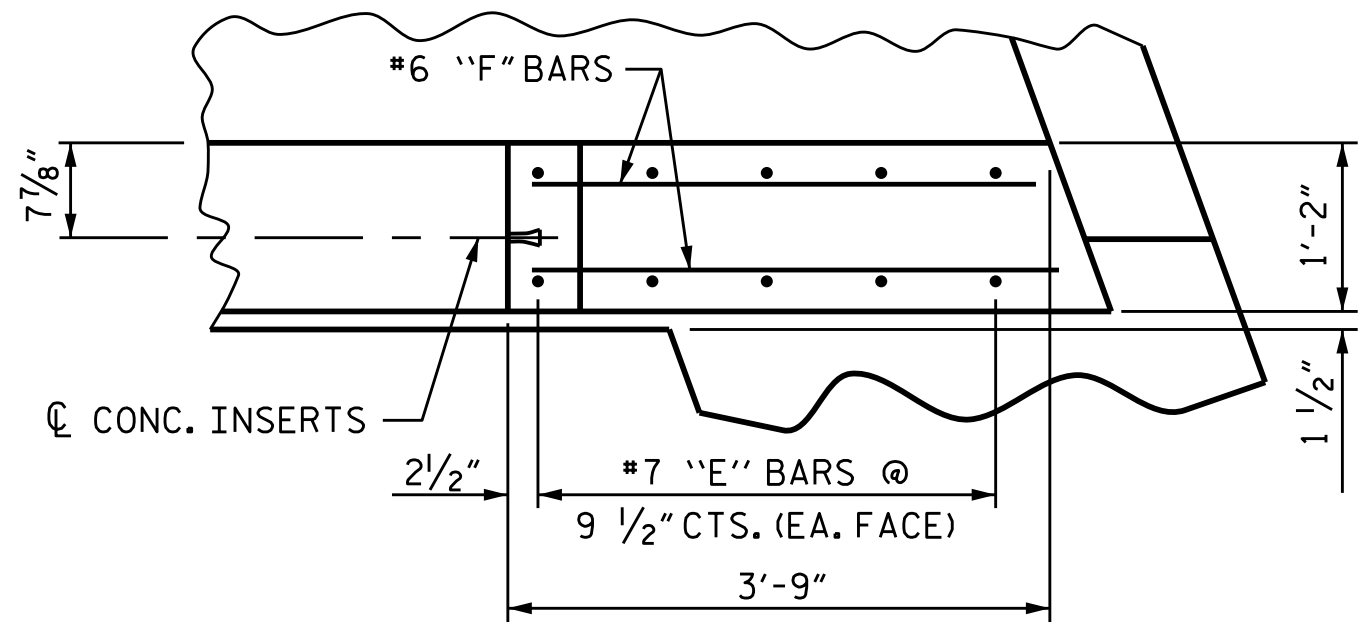
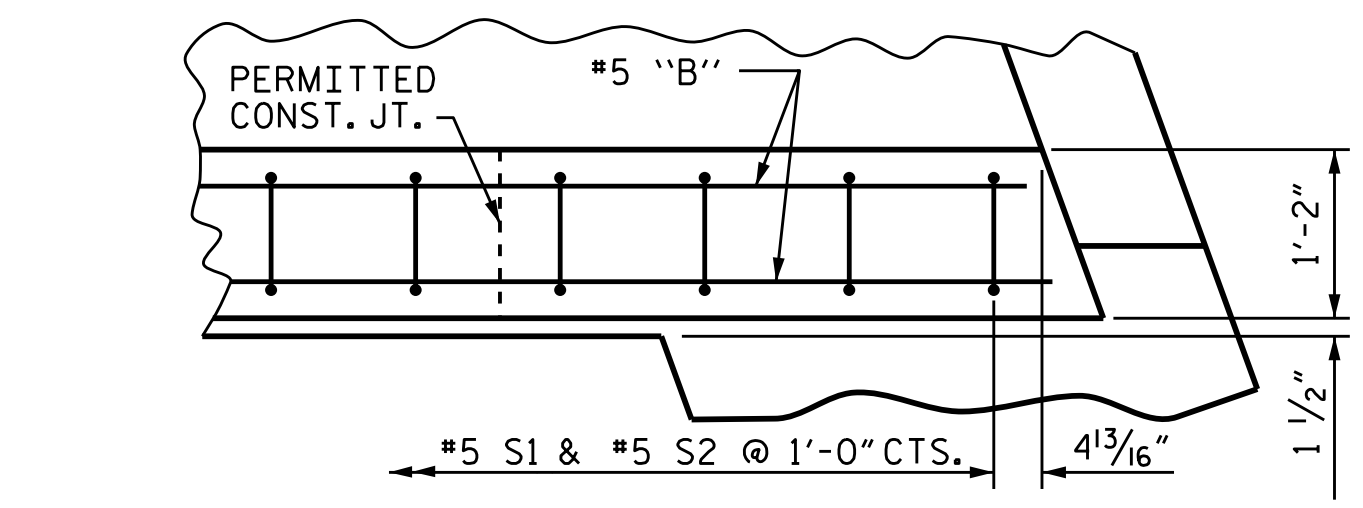


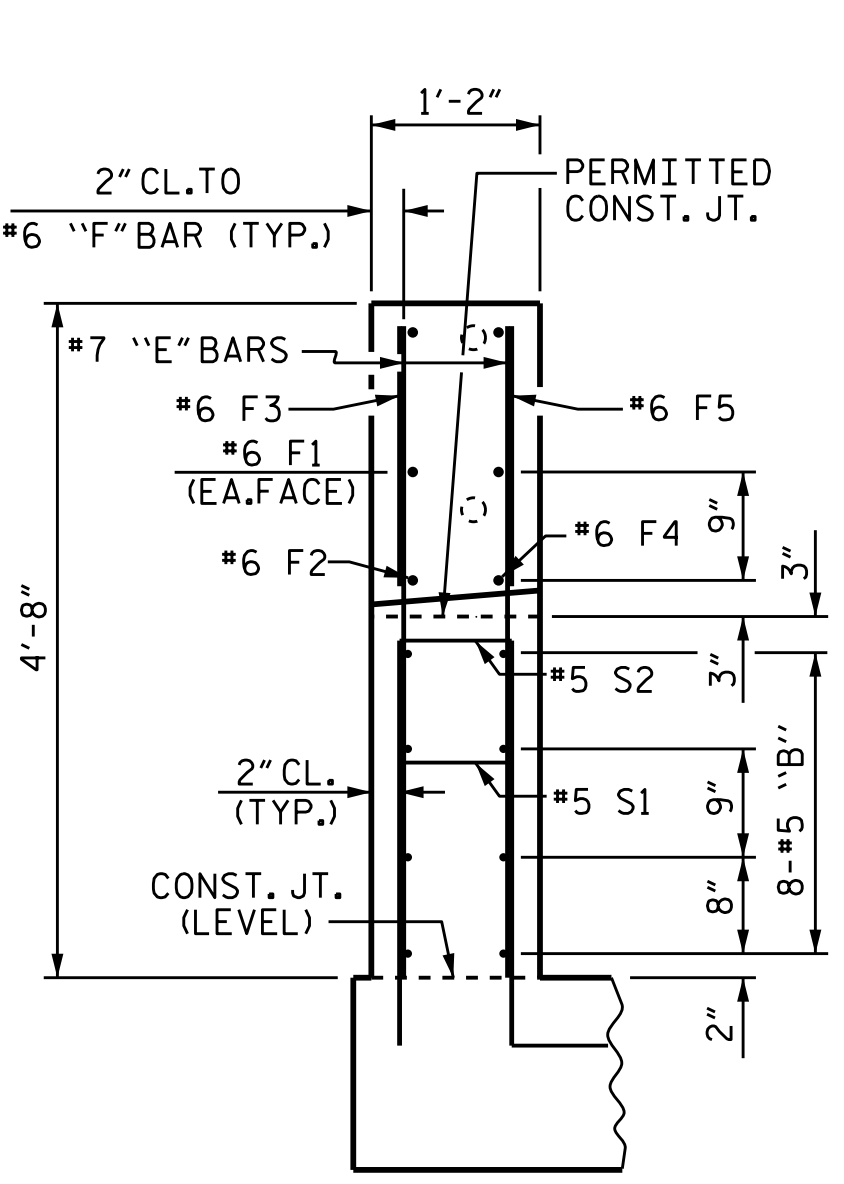
PLAN OF PARAPET



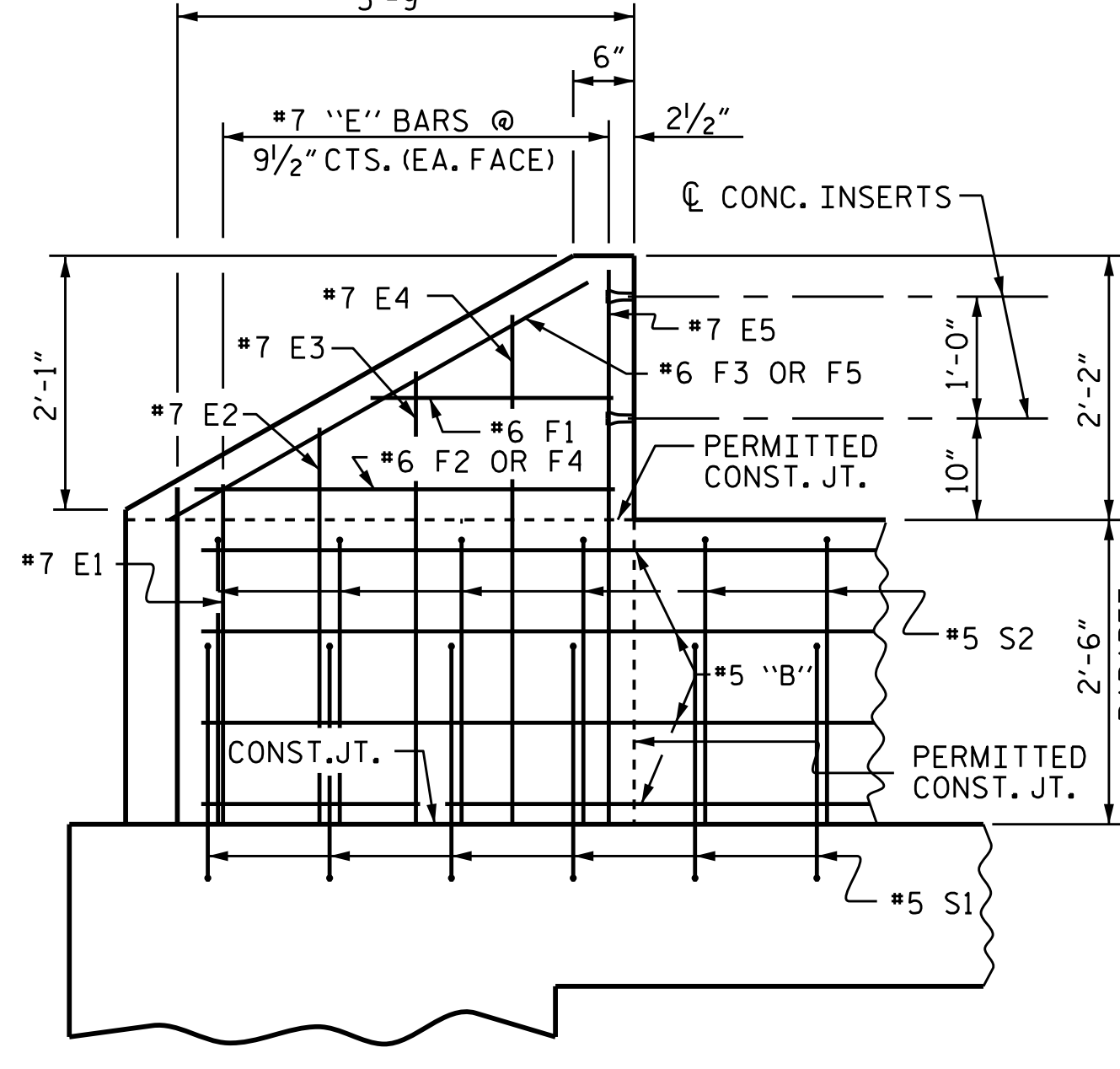
PLAN OF END POST



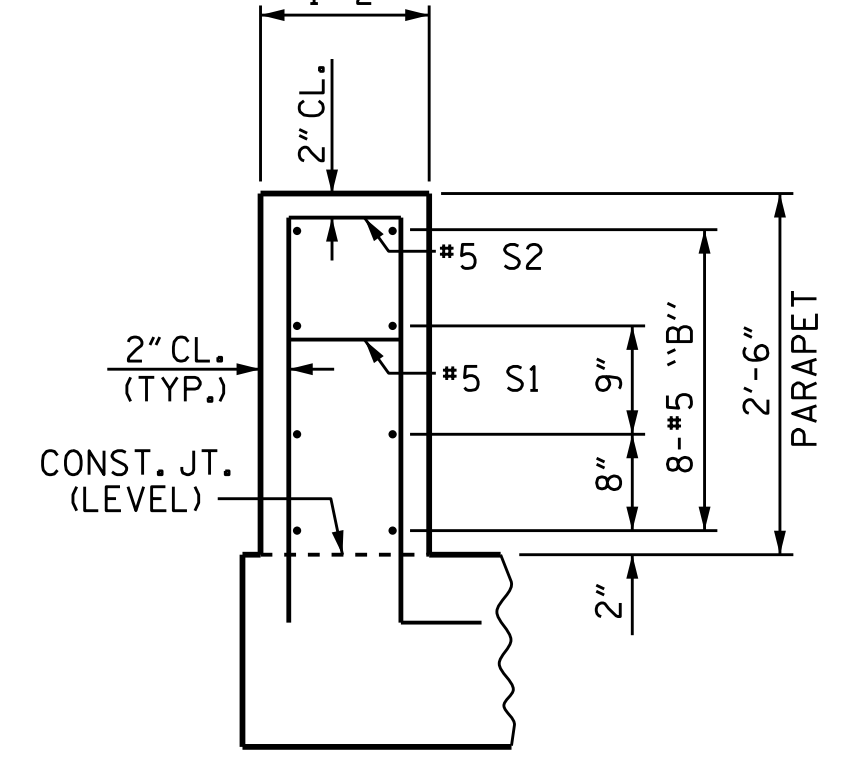
PLAN OF PARAPET



END VIEW



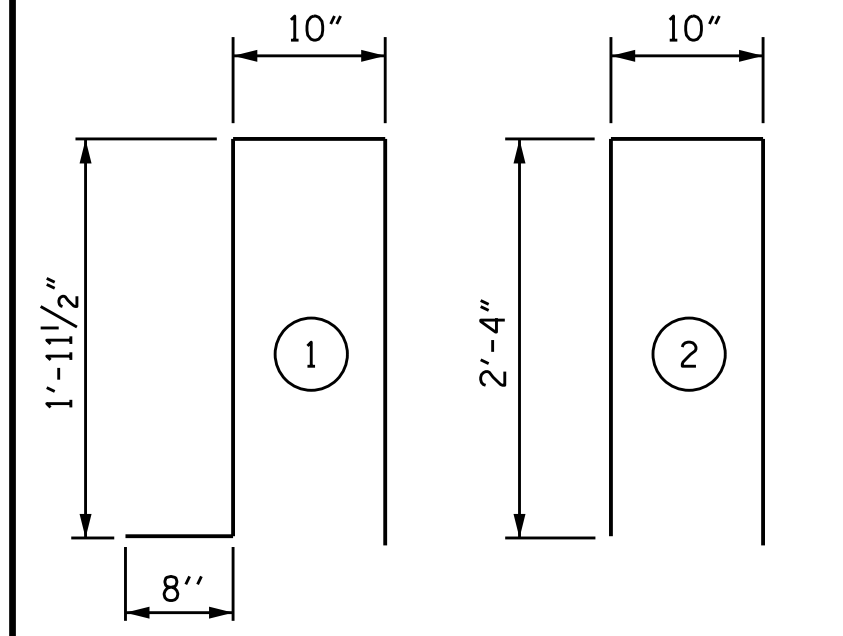
ELEVATION



SECTION THROUGH PARAPET

PARAPET AND END POST FOR TWO BAR RAIL

BAR TYPES



ALL BAR DIMENSIONS ARE OUT TO OUT.

BILL OF MATERIAL

PARAPET AND END POSTS

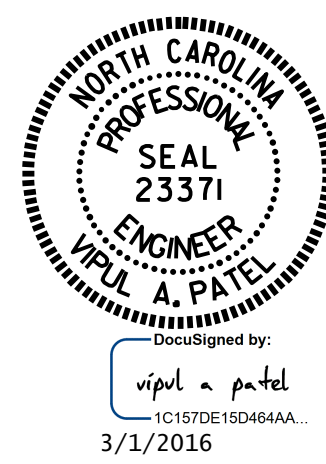
| BAR | NO. | SIZE | TYPE | LENGTH | WEIGHT |
|------|-----|------|------|--------|--------|
| * B1 | 16 | #5 | STR | 15'-8" | 261 |
| * B2 | 48 | #5 | STR | 27'-7" | 1,381 |
| * B3 | 16 | #5 | STR | 12'-8" | 211 |
| * E1 | 4 | #7 | STR | 2'-6" | 20 |
| * E2 | 4 | #7 | STR | 3'-0" | 25 |
| * E3 | 4 | #7 | STR | 3'-6" | 29 |
| * E4 | 4 | #7 | STR | 4'-0" | 33 |
| * E5 | 4 | #7 | STR | 4'-4" | 35 |
| * F1 | 4 | #6 | STR | 1'-10" | 11 |
| * F2 | 2 | #6 | STR | 3'-4" | 10 |
| * F3 | 2 | #6 | STR | 3'-11" | 12 |
| * F4 | 2 | #6 | STR | 3'-0" | 9 |
| * F5 | 2 | #6 | STR | 3'-8" | 11 |
| * S1 | 218 | #5 | 1 | 5'-5" | 1,232 |
| * S2 | 218 | #5 | 2 | 5'-6" | 1,251 |

* EPOXY COATED
REINFORCING STEEL = LBS. 4,531

CLASS AA CONCRETE = C.Y. 24.0

1'-2" x 2'-6"
CONCRETE PARAPET = LIN. FT. 218.23

PROJECT NO. B-5123
CABARRUS COUNTY
STATION: 21+44.10 -L-



STATE OF NORTH CAROLINA
DEPARTMENT OF TRANSPORTATION
RALEIGH
1'-2" PARAPET AND
END POST DETAILS
FOR TWO BAR
METAL RAIL
(RIGHT LANE)

| REVISIONS | | | | | | SHEET NO. |
|-----------|-----|-------|-----|-----|-------|--------------|
| NO. | BY: | DATE: | NO. | BY: | DATE: | 5-62 |
| 1 | | | 3 | | | TOTAL SHEETS |
| 2 | | | 4 | | | 74 |

DOCUMENT NOT CONSIDERED FINAL UNLESS ALL SIGNATURES COMPLETED

DRAWN BY: K.D. LAYNE DATE: 11/3/15
CHECKED BY: N.D. AIUTO DATE: 11/9/15
DESIGN ENGINEER OF RECORD: T.H. CARROLL DATE: 12/7/15