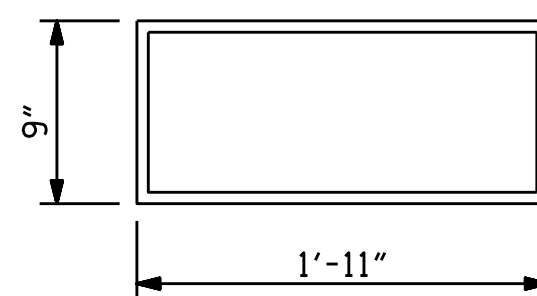
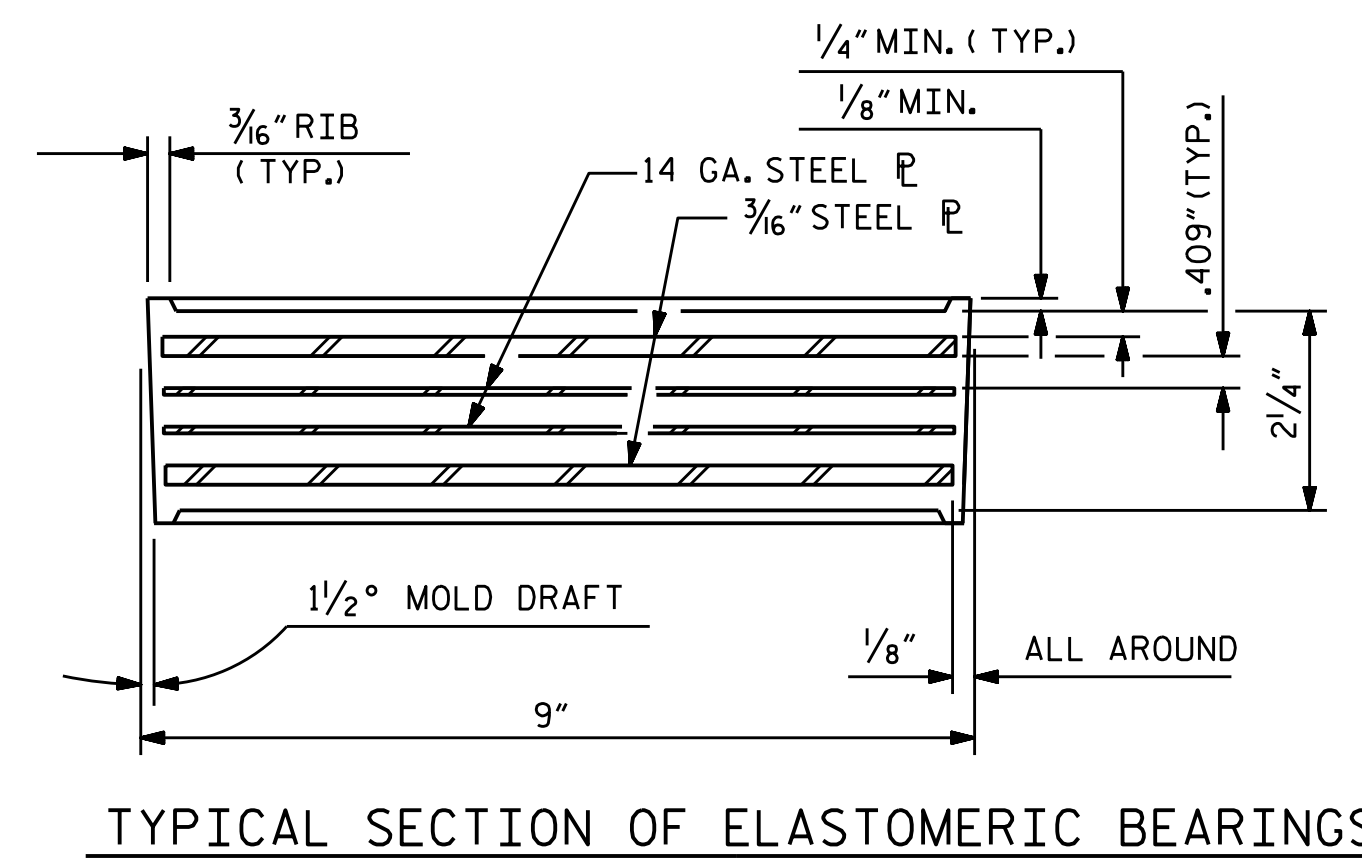
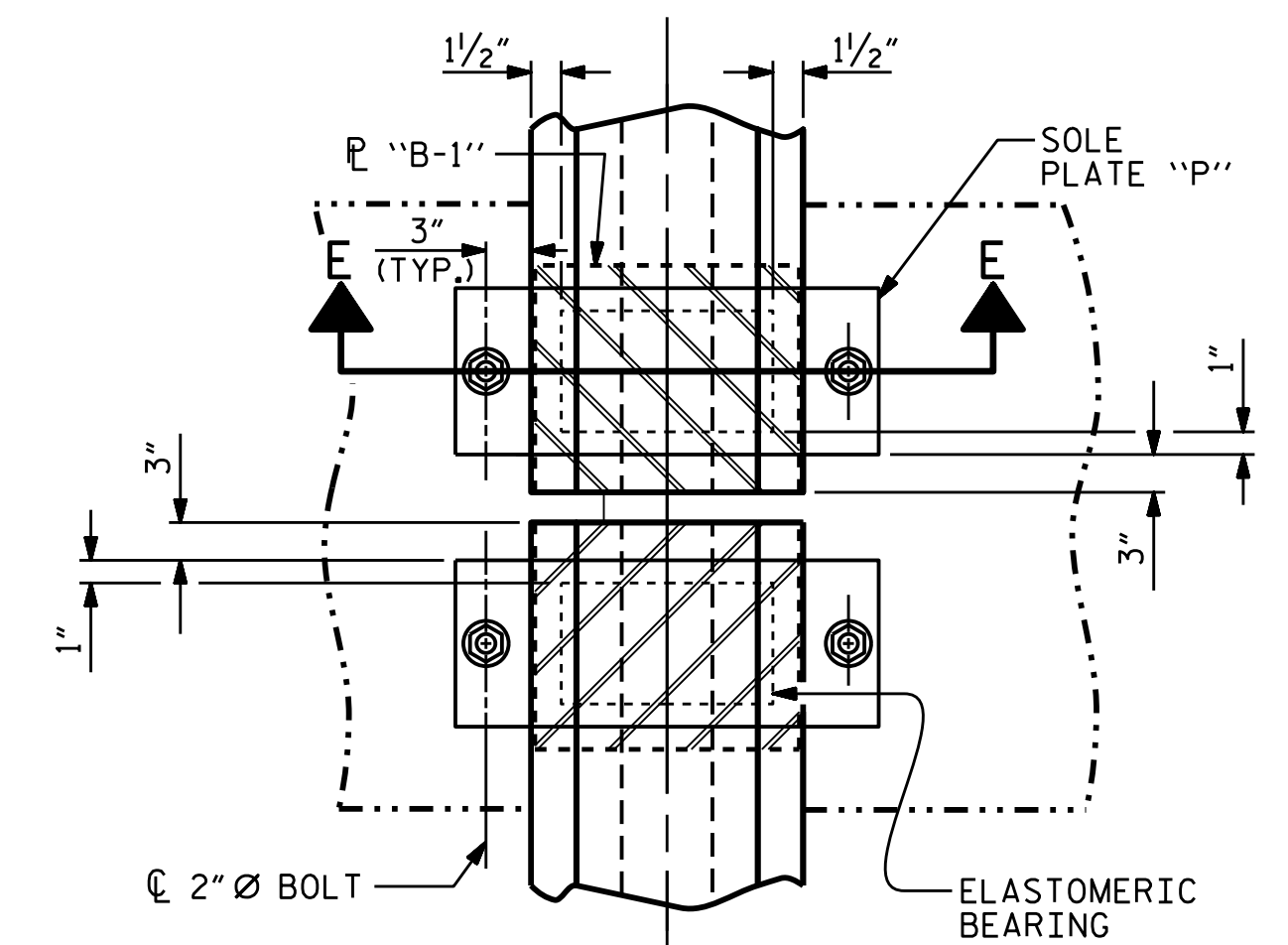


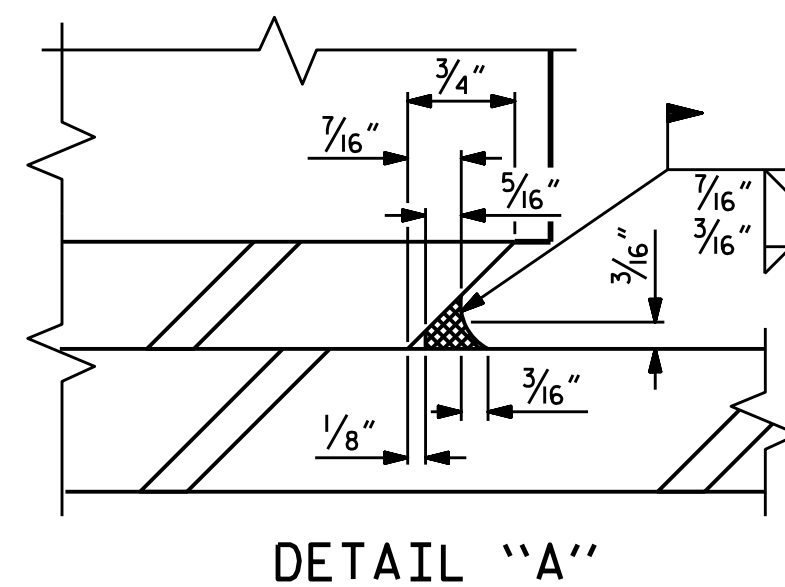
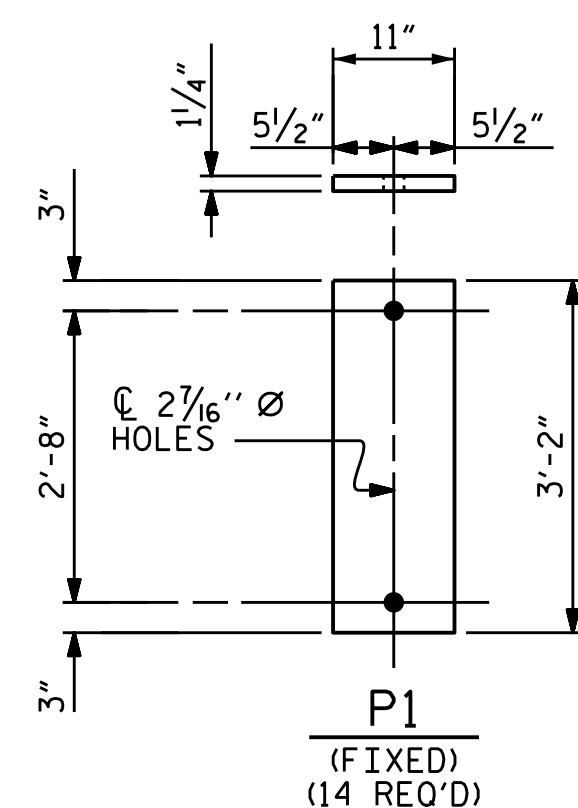
E1 (14 REQ'D)
PLAN VIEW OF ELASTOMERIC BEARING
TYPE IV



E2 (14 REQ'D)
PLAN VIEW OF ELASTOMERIC BEARING
TYPE V



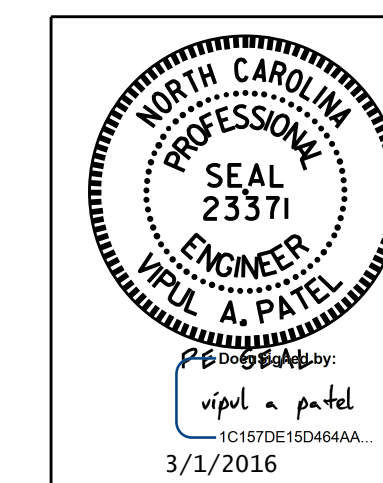
TYPICAL HALF-PLAN
(SHOWING CONTINUOUS BENT)



SOLE PLATE DETAILS (P1)

| | |
|---------------------------------|-------|
| MAXIMUM ALLOWABLE SERVICE LOADS | |
| D.L.+L.L. (NO IMPACT) | |
| TYPE IV | 225 k |
| TYPE V | 365 k |

PROJECT NO. B-5123
CABARRUS COUNTY
 STATION: 21+44.10 -L-



STATE OF NORTH CAROLINA
 DEPARTMENT OF TRANSPORTATION
 RALEIGH
 STANDARD
 ELASTOMERIC BEARING
 DETAILS
 PRESTRESSED CONCRETE GIRDER
 SUPERSTRUCTURE
 (RIGHT LANE)

| | |
|------------------------------|--|
| ASSEMBLED BY : T. H. CARROLL | DATE : 10/29/15 |
| CHECKED BY : H.A. LOCKLEAR | DATE : 11/1/2015 |
| DRAWN BY : EEM 2/97 | REV. 10/1/11 |
| CHECKED BY : VAP 2/97 | REV. 6/13 |
| | REV. 1/15 |
| MAA/GM AAC/MAA MAA/TMC | DESIGN ENGINEER OF RECORD: T. H. CARROLL DATE : 12/7/15 |

DOCUMENT NOT CONSIDERED FINAL UNLESS ALL SIGNATURES COMPLETED

| REVISIONS | | | | | | SHEET NO. S-53 |
|-----------|-----|-------|-----|-----|-------|--------------------|
| NO. | BY: | DATE: | NO. | BY: | DATE: | |
| 1 | | | 3 | | | TOTAL SHEETS 74 |
| 2 | | | 4 | | | |

STR. #2 STD. NO. EB4