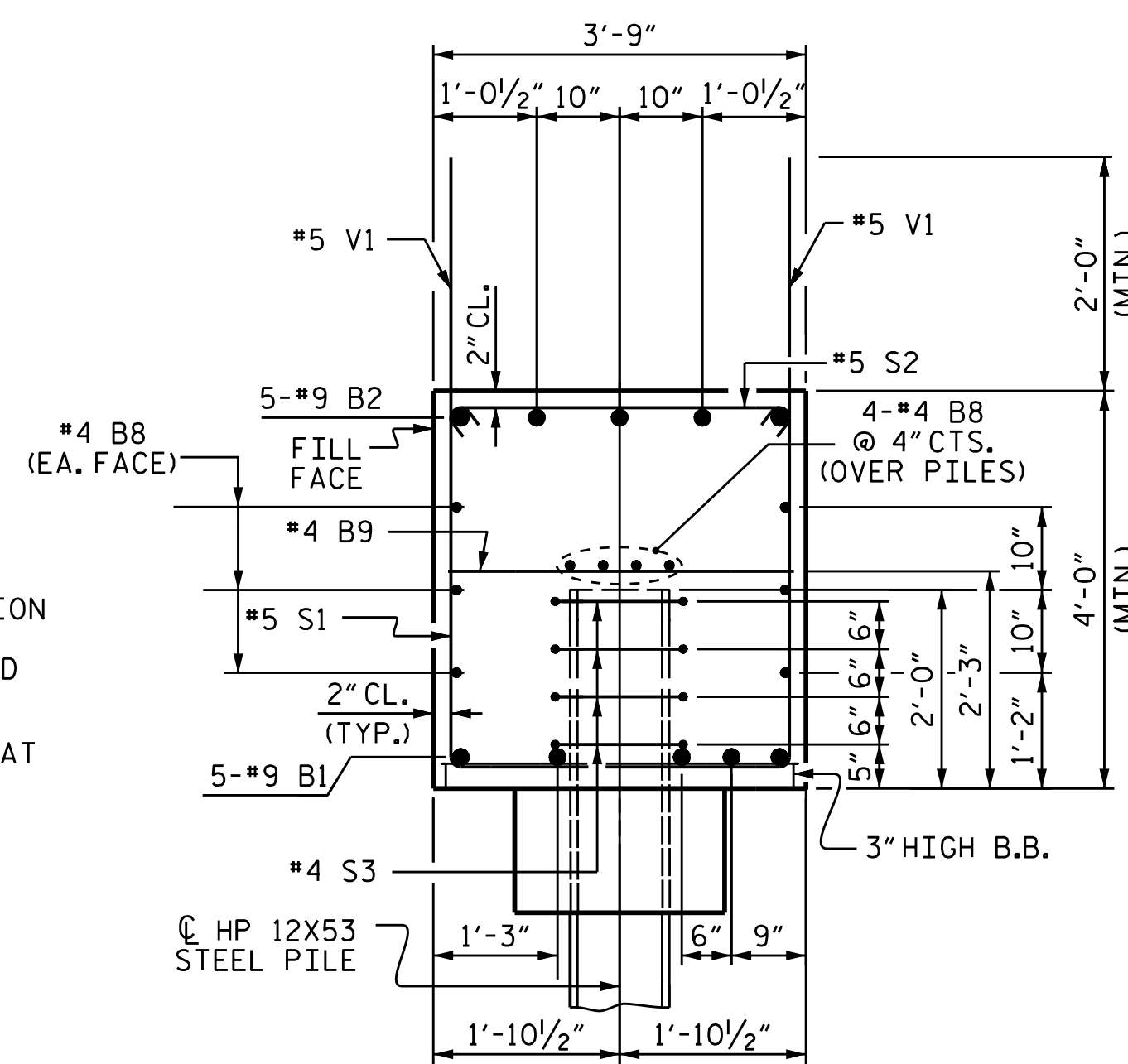


BAGGED STONE AND PIPE SHALL BE PLACED IMMEDIATELY AFTER COMPLETION OF END BENT EXCAVATION. PIPE MAY BE EITHER CONCRETE, CORRUGATED STEEL, CORRUGATED ALUMINUM ALLOY, OR CORRUGATED PLASTIC. PERFORATED PIPE WILL NOT BE ALLOWED.

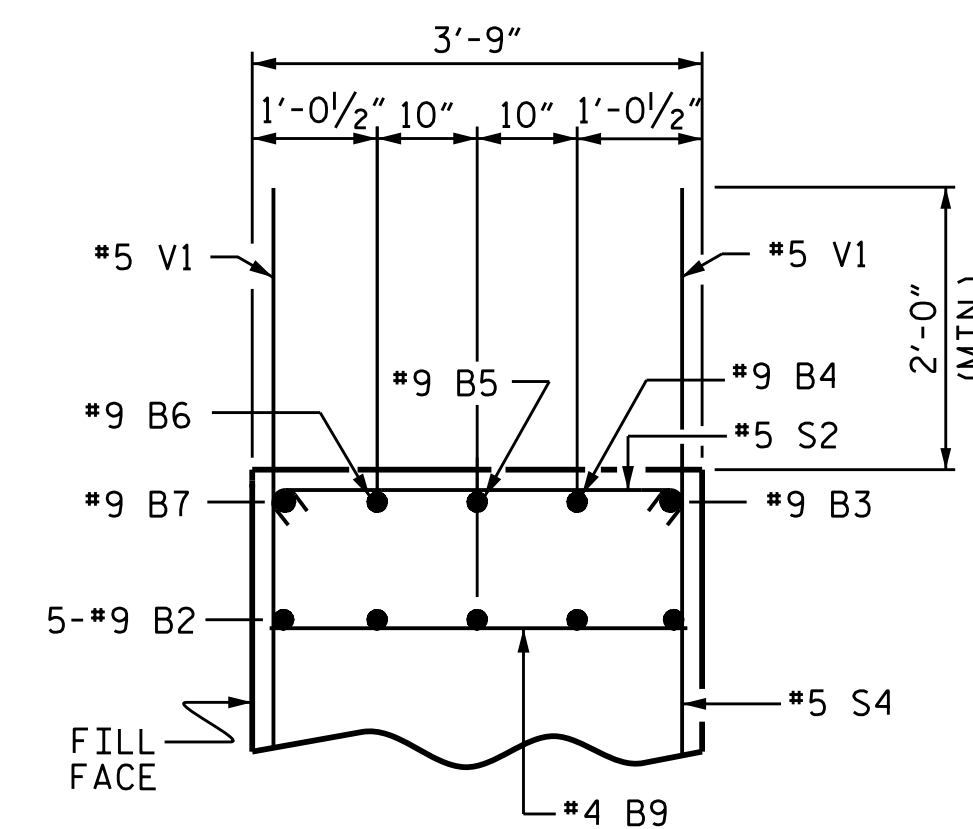
BAGGED STONE SHALL REMAIN IN PLACE UNTIL THE ENGINEER DIRECTS THAT IT BE REMOVED. THE CONTRACTOR SHALL REMOVE AND DISPOSE OF SILT ACCUMULATIONS AT BAGGED STONE WHEN SO DIRECTED BY THE ENGINEER. BAGS SHALL BE REMOVED AND REPLACED WHENEVER THE ENGINEER DETERMINES THAT THEY HAVE DETERIORATED AND LOST THEIR EFFECTIVENESS.

NO SEPARATE PAYMENT WILL BE MADE FOR THIS WORK AND THE ENTIRE COST OF THIS WORK SHALL BE INCLUDED IN THE UNIT CONTRACT PRICE BID FOR THE SEVERAL PAY ITEMS.

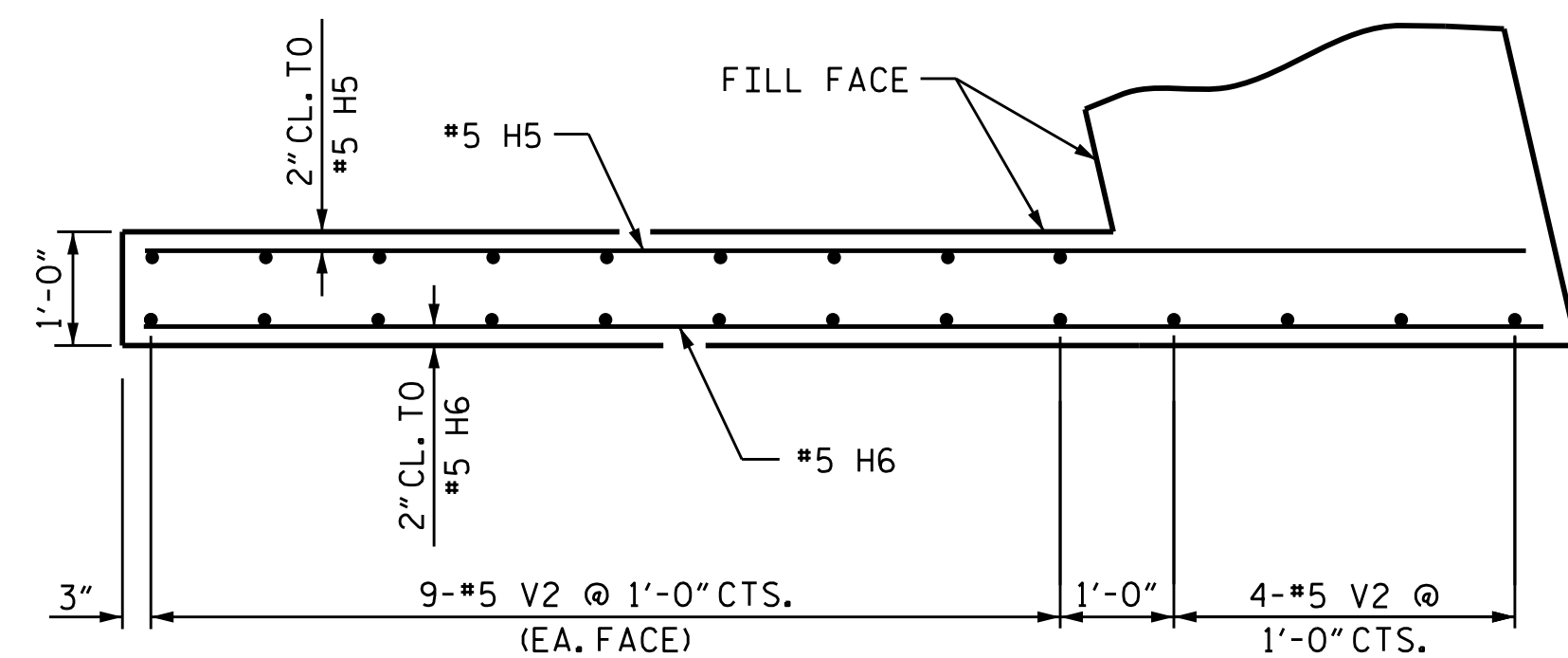
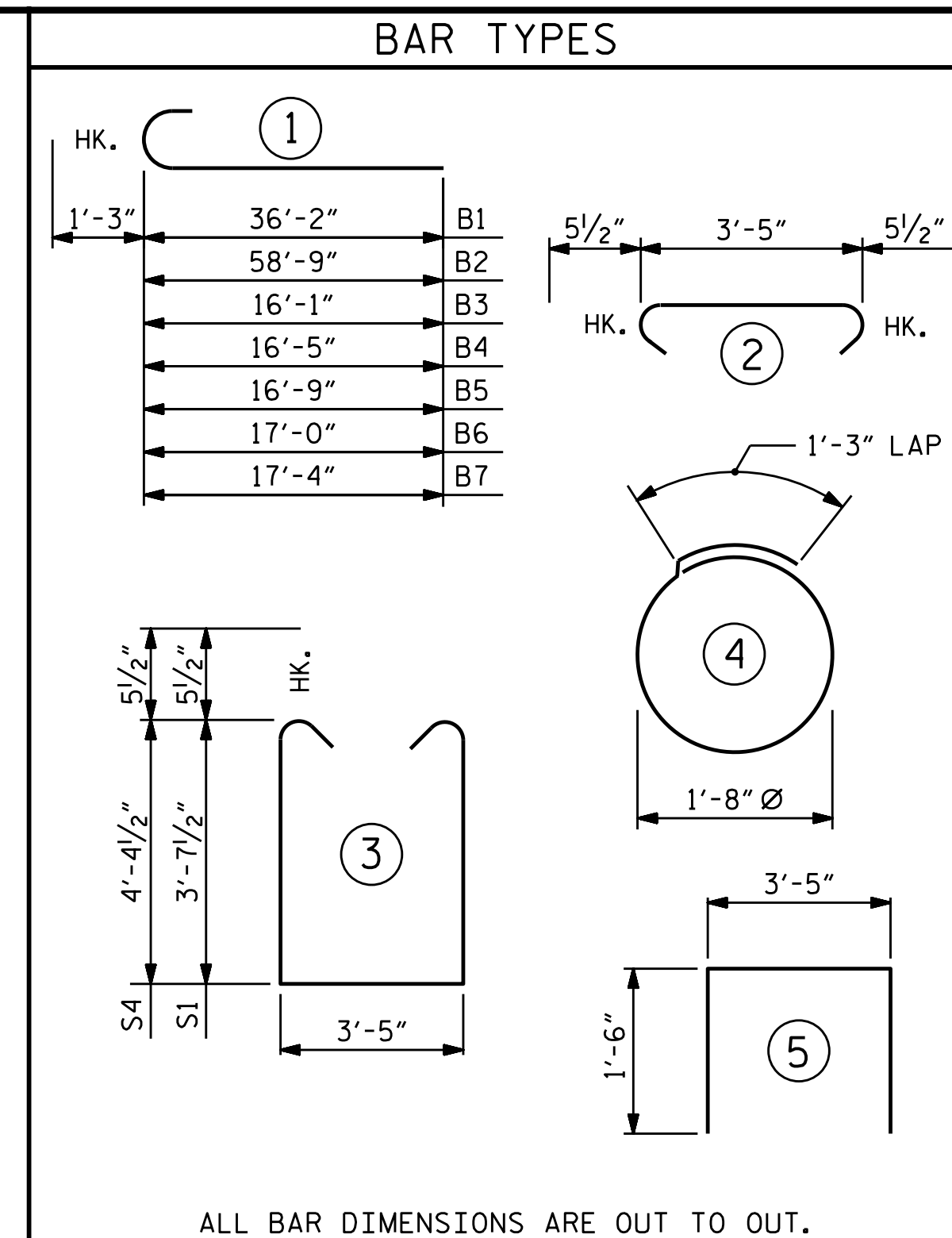
TEMPORARY DRAINAGE AT END BENT



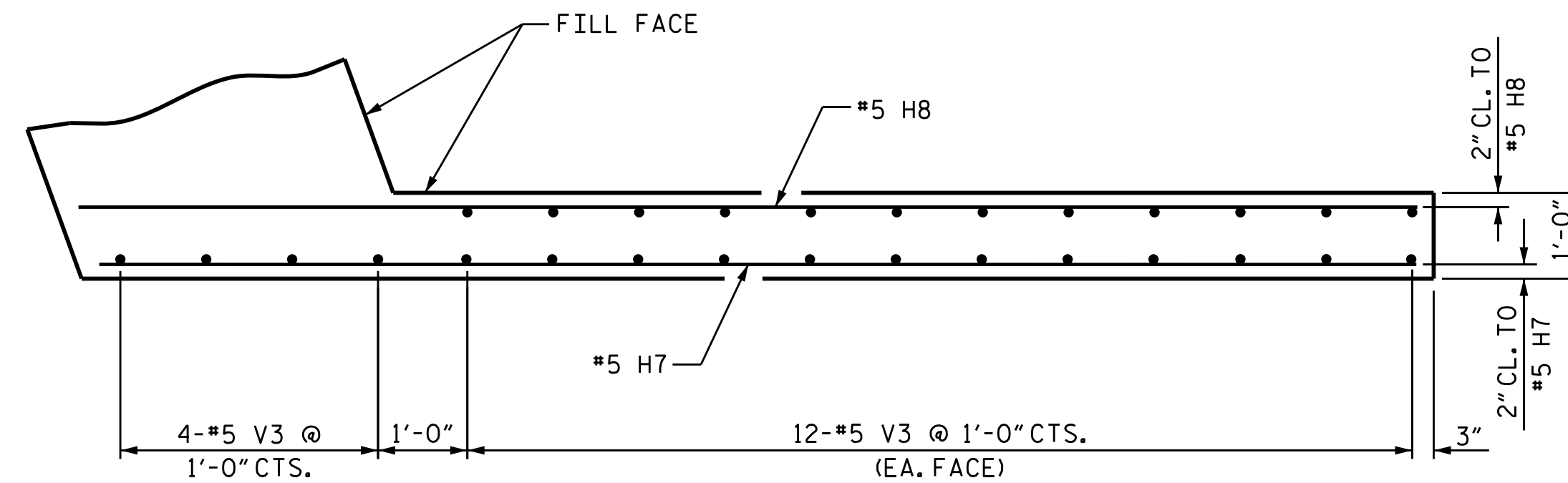
SECTION A-A



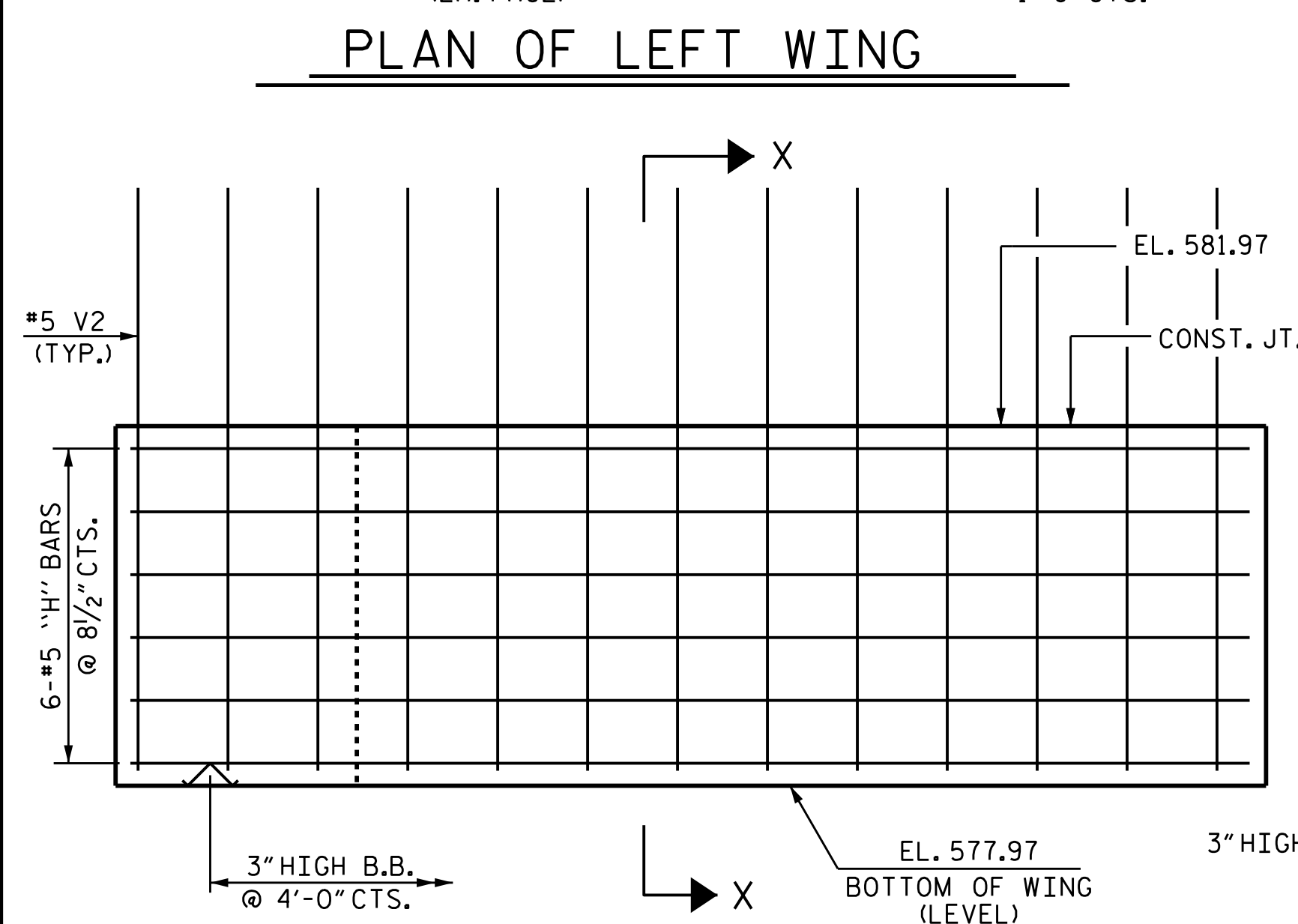
PARTIAL SECTION B-B



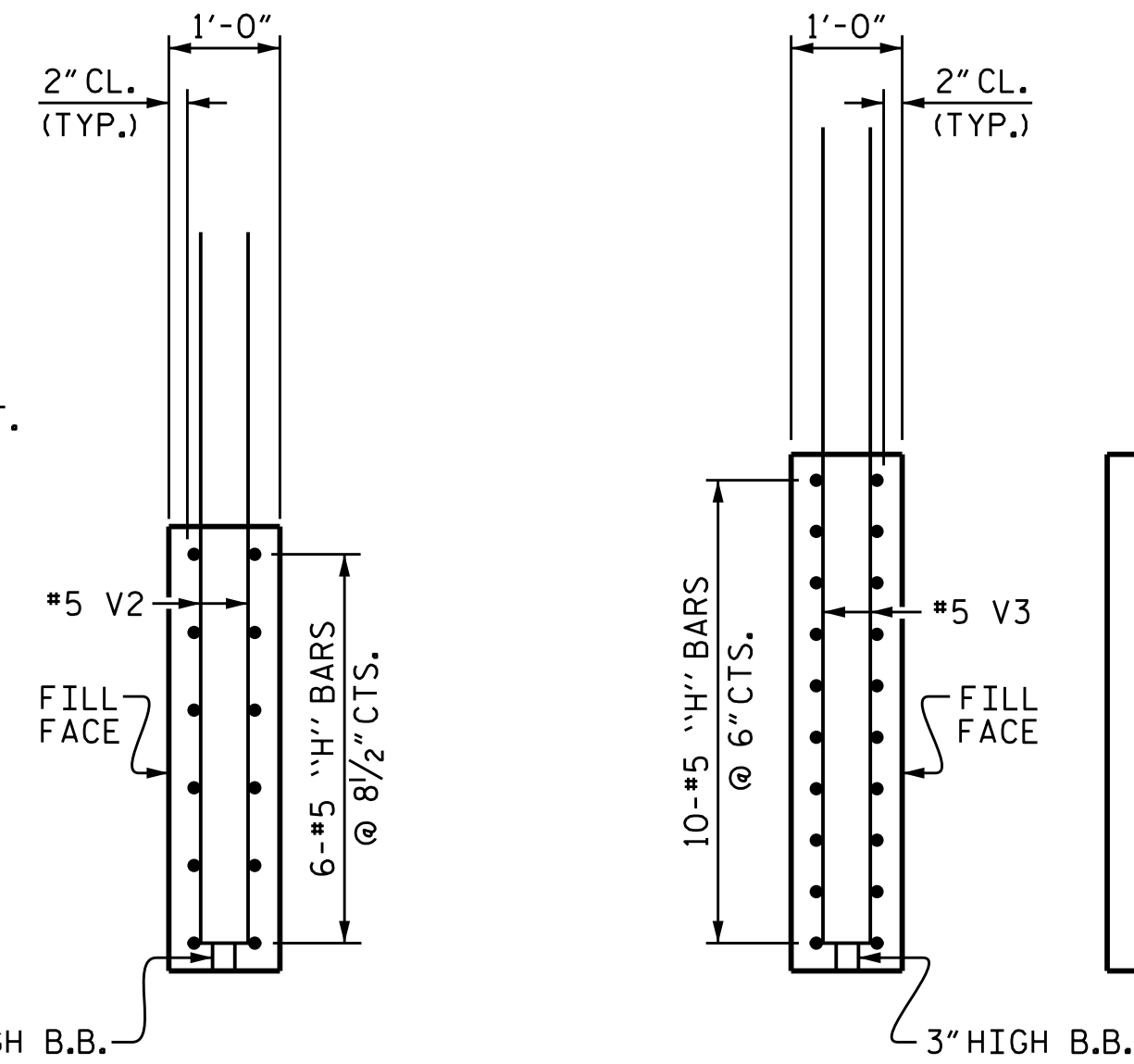
PLAN OF LEFT WING



PLAN OF RIGHT WING

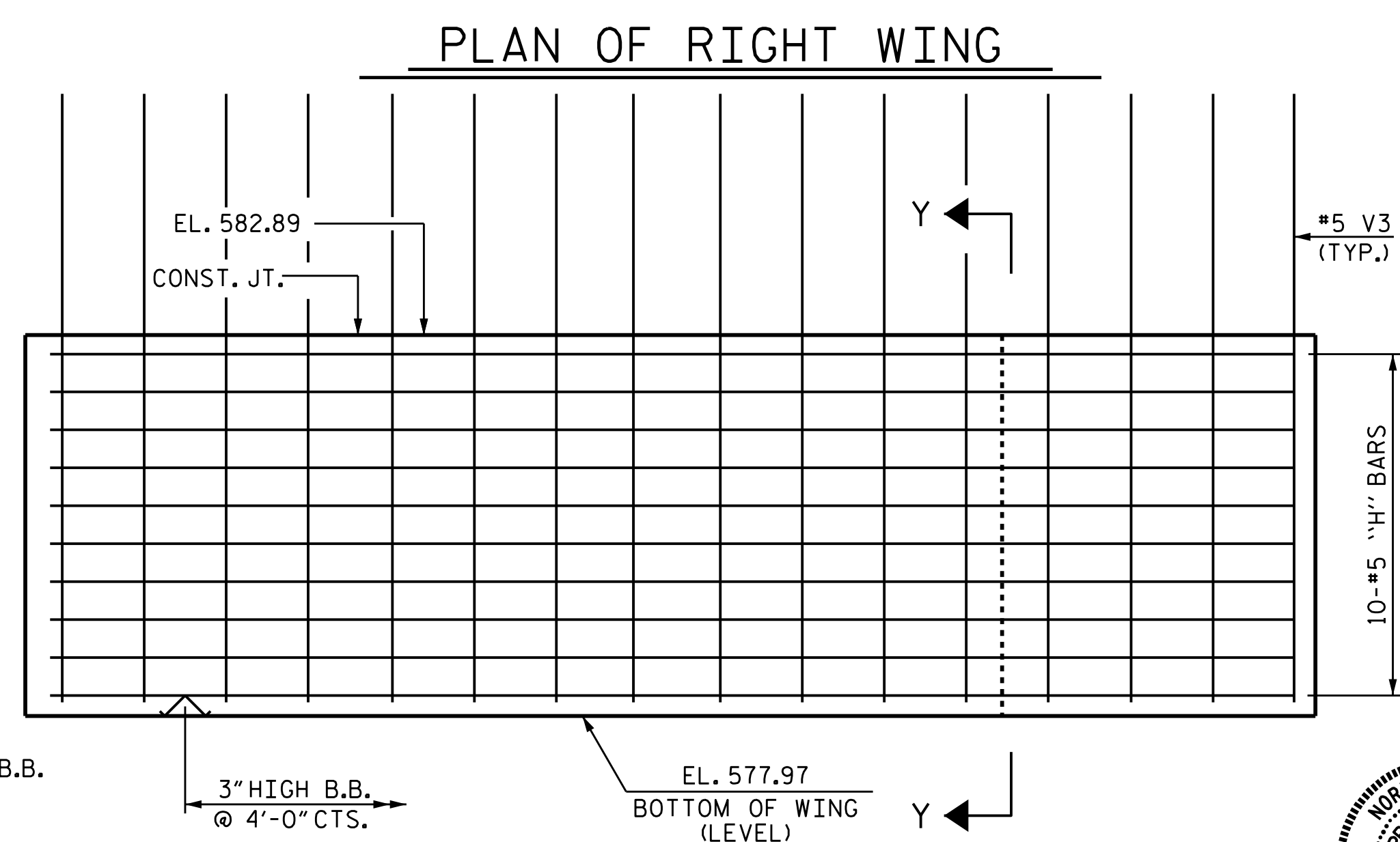


ELEVATION OF LEFT WING



SECTION X-X

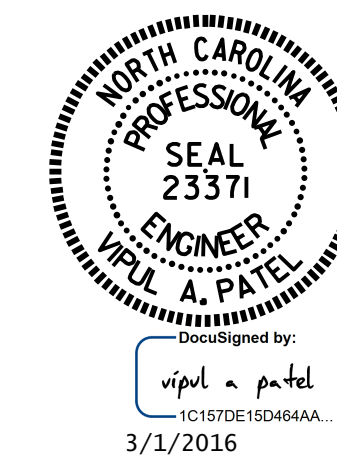
SECTION Y-Y



ELEVATION OF RIGHT WING

PROJECT NO. B-5123
CABARRUS COUNTY
 STATION: 21+44.10 -L-

SHEET 2 OF 2



STATE OF NORTH CAROLINA
 DEPARTMENT OF TRANSPORTATION
 RALEIGH
 SUBSTRUCTURE
 INTEGRAL
 END BENT 2
 (LEFT LANE)

REVISIONS

NO.	BY:	DATE:	NO.	BY:	DATE:	SHEET NO.
1			3			S-32
2			4			TOTAL SHEETS 74

DOCUMENT NOT CONSIDERED FINAL UNLESS ALL SIGNATURES COMPLETED

DRAWN BY: N.D. AIUTO DATE: 8/10/15
 CHECKED BY: K.D. LAYNE DATE: 8/24/15
 DESIGN ENGINEER OF RECORD: H.A. LOCKLEAR DATE: 12/7/15