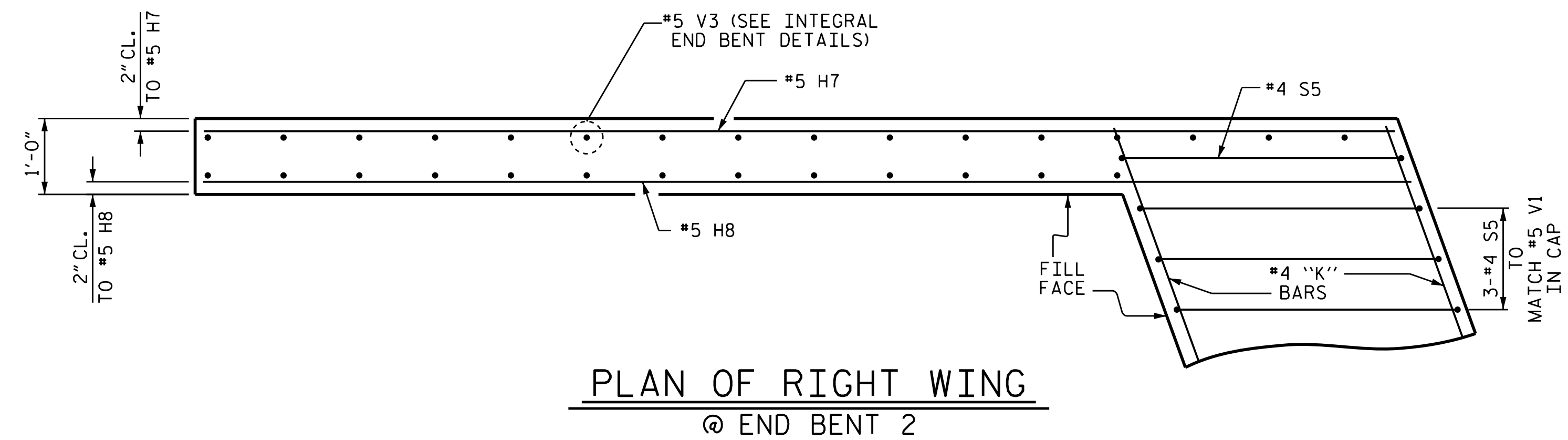
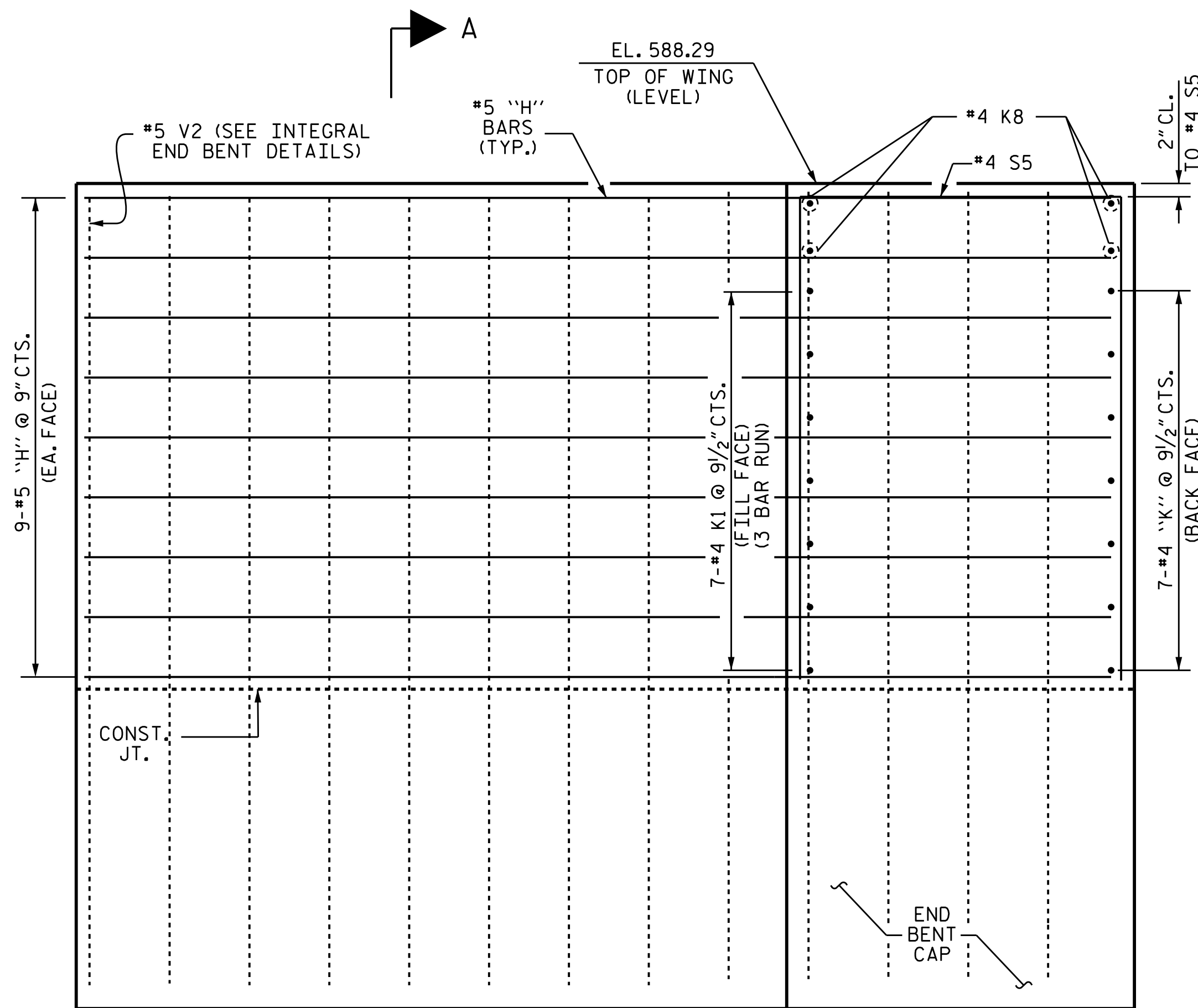


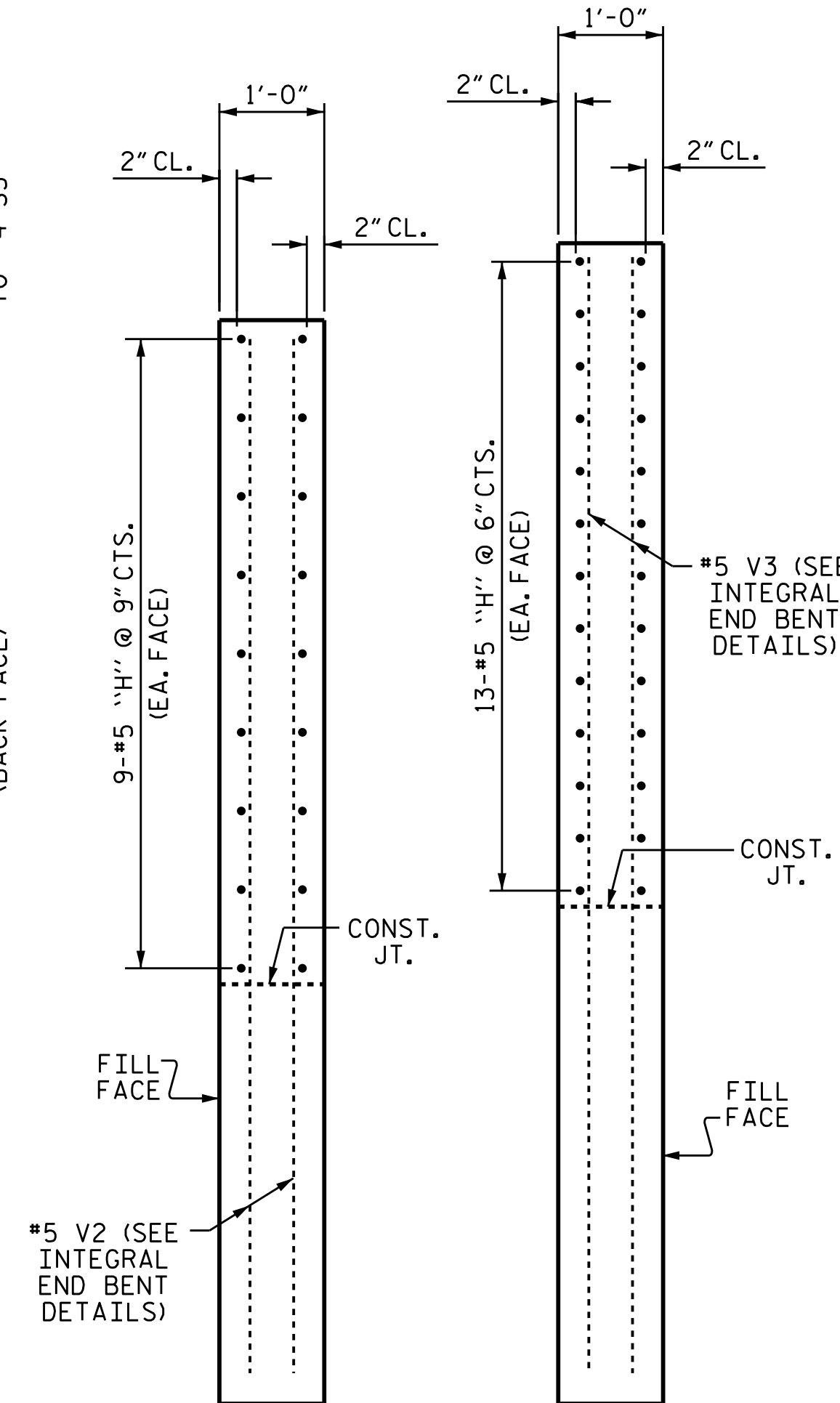
PLAN OF LEFT WING
@ END BENT 2



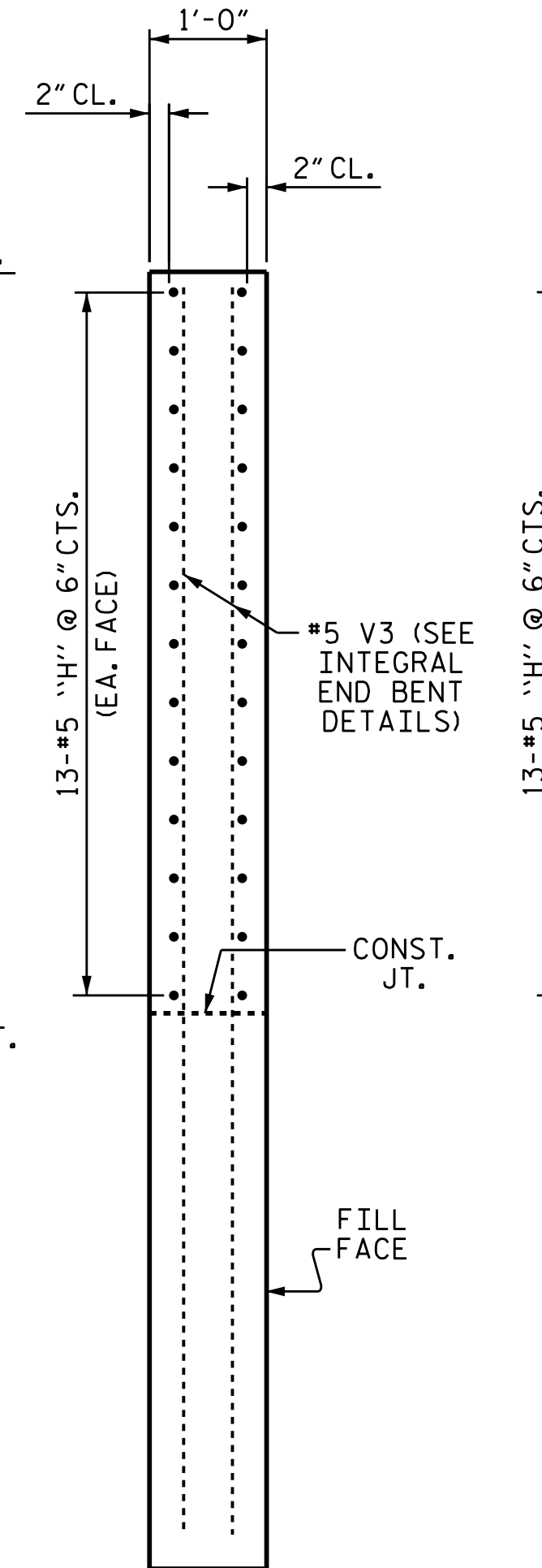
PLAN OF RIGHT WING
@ END BENT 2



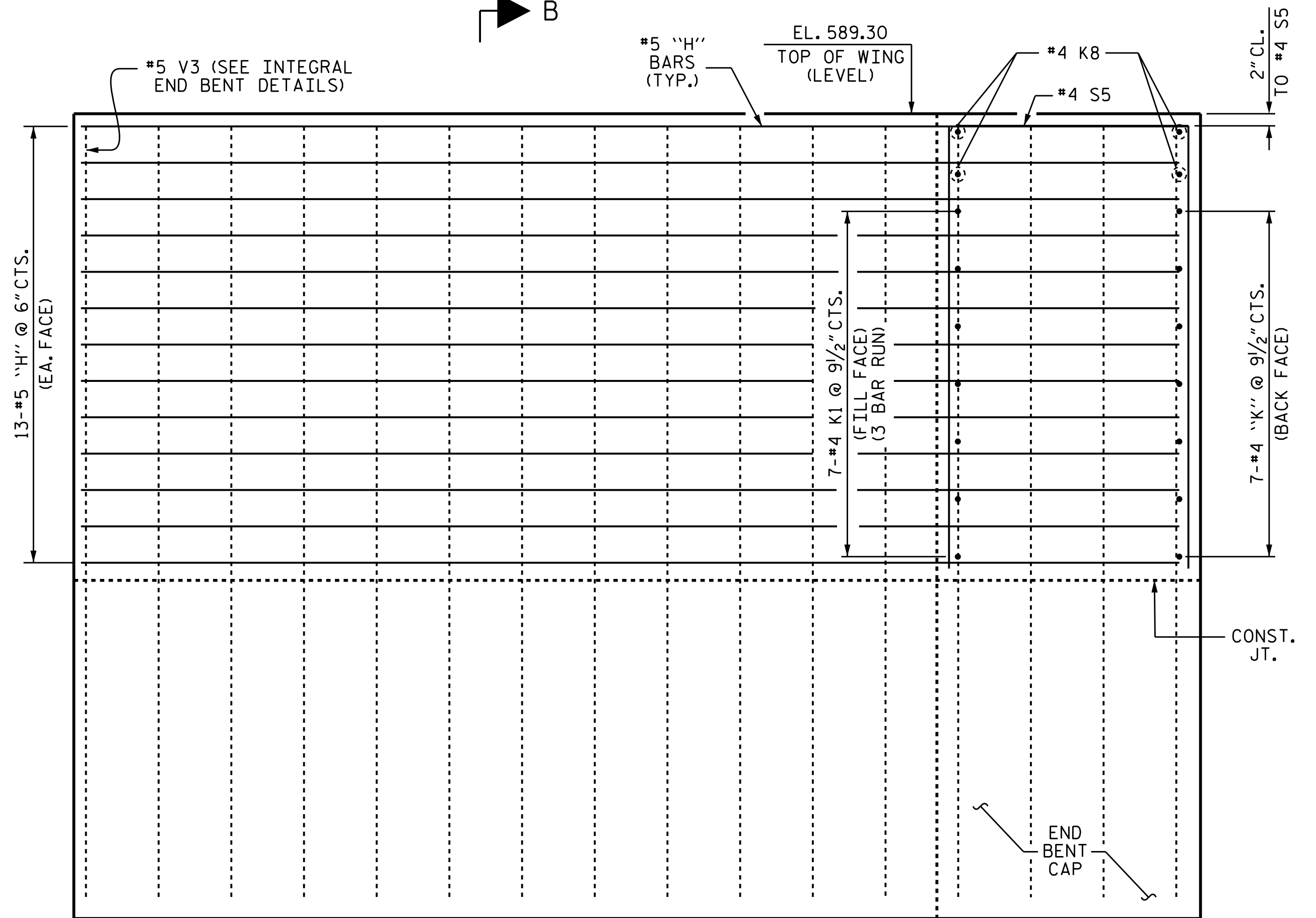
ELEVATION OF LEFT WING
@ END BENT 2



SECTION A-A



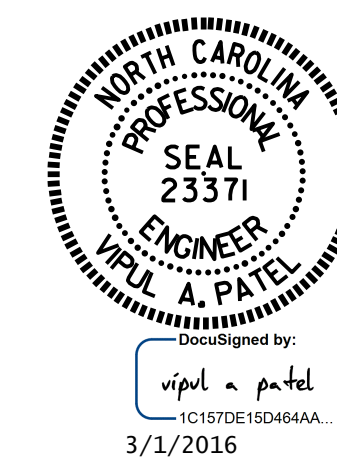
SECTION B-B



ELEVATION OF RIGHT WING
@ END BENT 2

PROJECT NO. B-5123
CABARRUS COUNTY
 STATION: 21+44.10 -L-

SHEET 4 OF 4



STATE OF NORTH CAROLINA
 DEPARTMENT OF TRANSPORTATION
 RALEIGH
 SUPERSTRUCTURE
 PLAN OF SPAN
 DETAILS
 (LEFT LANE)

DRAWN BY : N.D. AIUTO DATE : 6/23/15
 CHECKED BY : K.D. LAYNE DATE : 8/7/15
 DESIGN ENGINEER OF RECORD : H.A. LOCKLEAR DATE : 2/29/16

DOCUMENT NOT CONSIDERED
 FINAL UNLESS ALL
 SIGNATURES COMPLETED

REVISIONS						SHEET NO.
NO.	BY:	DATE:	NO.	BY:	DATE:	S-10
1			3			TOTAL SHEETS
2			4			74