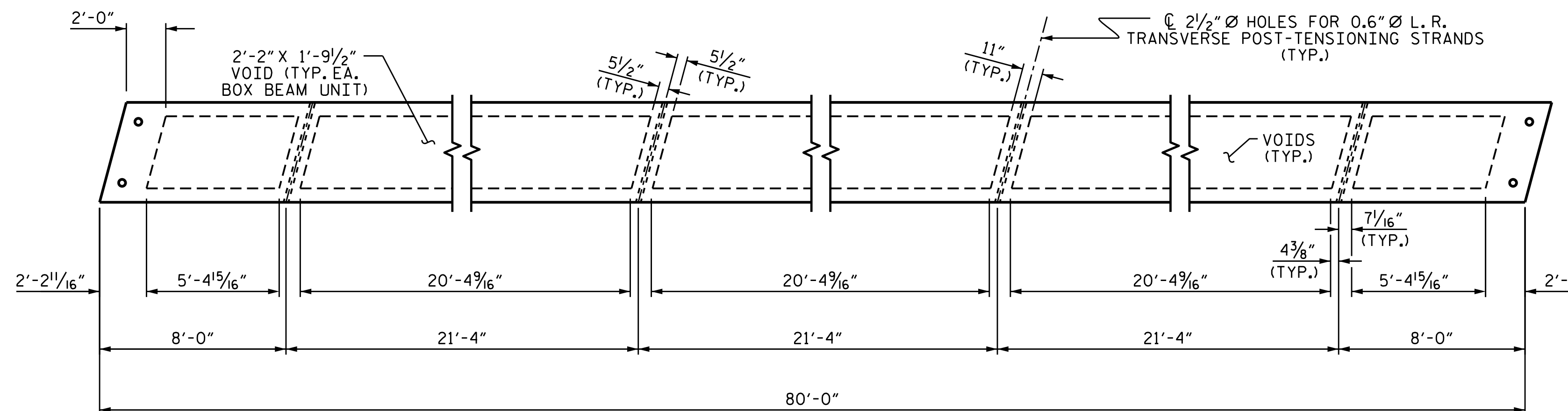


PLAN OF UNIT



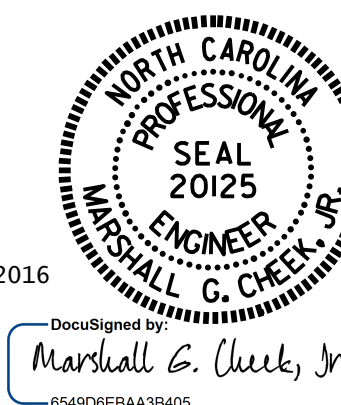
DIAPHRAGM AND VOID LAYOUT

PROJECT NO. B-5396
BUNCOMBE COUNTY
 STATION: 17+00.00 -L-

SHEET 2 OF 5

STATE OF NORTH CAROLINA
 DEPARTMENT OF TRANSPORTATION
 RALEIGH

PLAN OF 80' UNIT
 30'-6" CLEAR ROADWAY
 105° SKEW



DRAWN BY : M. POOLE DATE : 10-15
 CHECKED BY : B. N. GRADY DATE : 12-15

DOCUMENT NOT CONSIDERED
 FINAL UNLESS ALL
 SIGNATURES COMPLETED

REVISIONS						SHEET NO.
NO.	BY:	DATE:	NO.	BY:	DATE:	S-5
1			3			TOTAL SHEETS
2			4			18