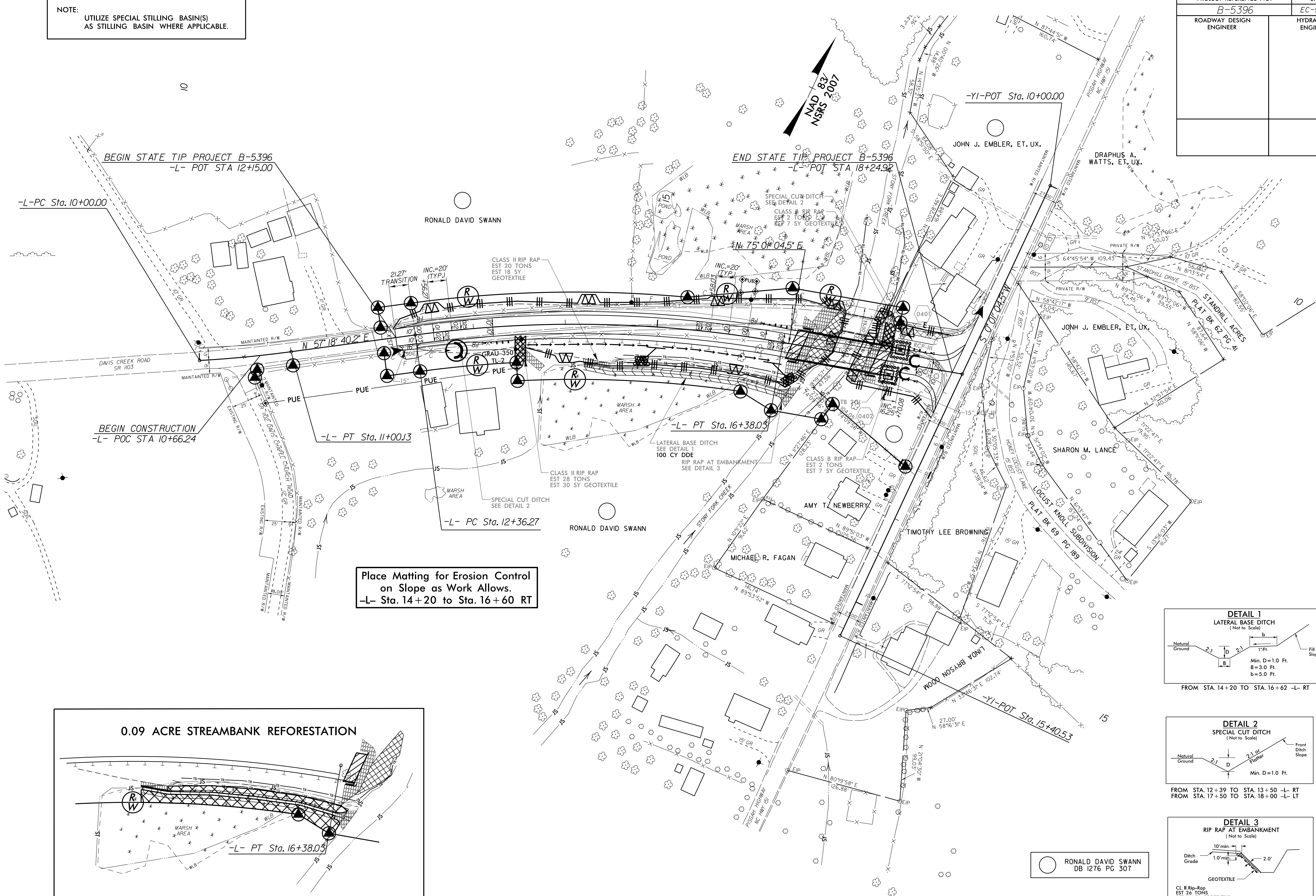
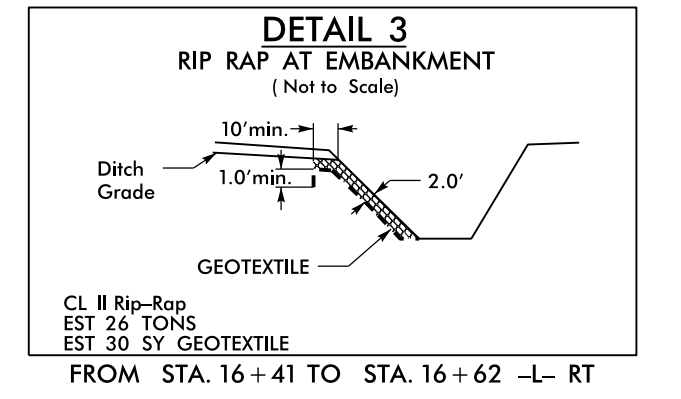
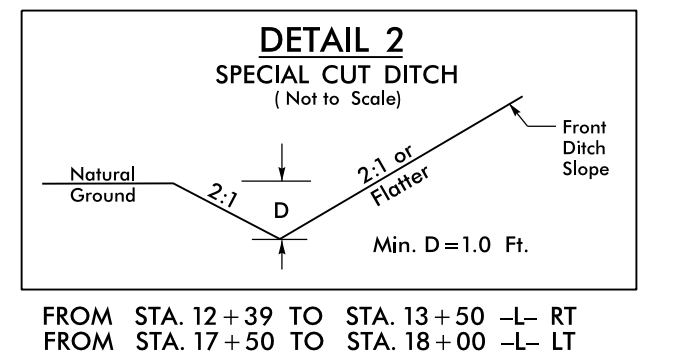
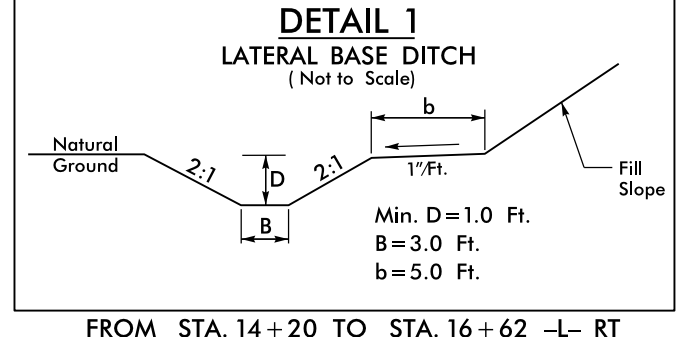
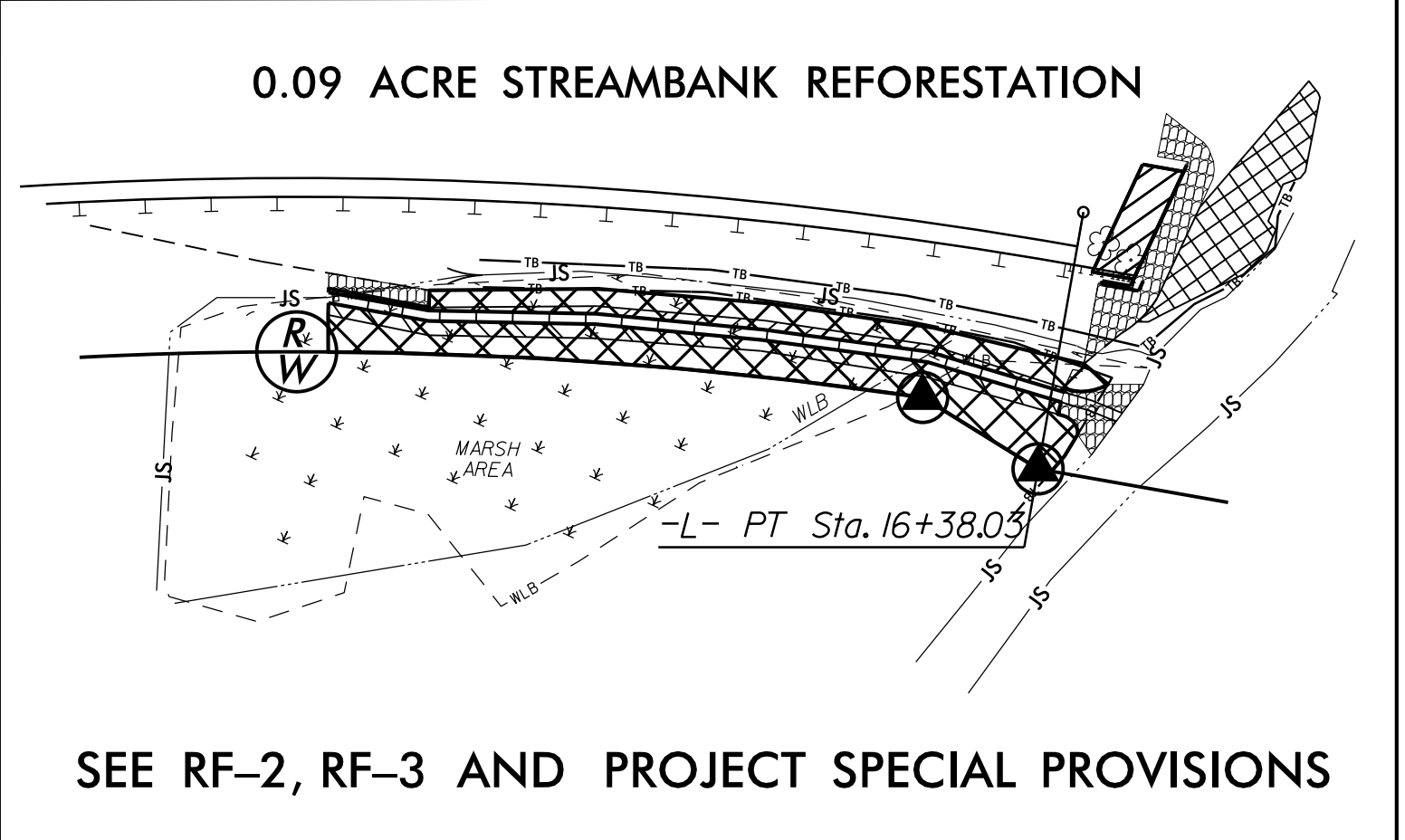


PROJECT REFERENCE NO.	SHEET NO.
B-5396	EC-5/CONST.4
ROADWAY DESIGN ENGINEER	HYDRAULICS ENGINEER

NOTE:
UTILIZE SPECIAL STILLING BASIN(S)
AS STILLING BASIN WHERE APPLICABLE.



Place Matting for Erosion Control
on Slope as Work Allows.
-L- Sta. 14+20 to Sta. 16+60 RT



○ RONALD DAVID SWANN
DB 1276 PG 307

B-17-99
 15-DEC-2015_09:20
 N:\Design\B-5396-EC_PSH_04.dgn
 Project: A-11-REN-27-116
 wlabandier