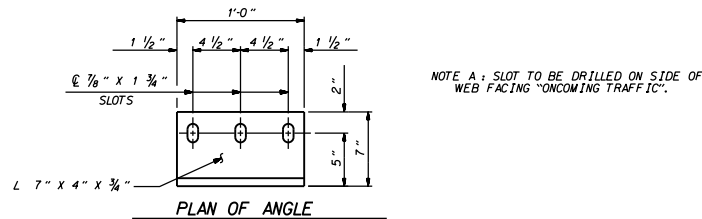
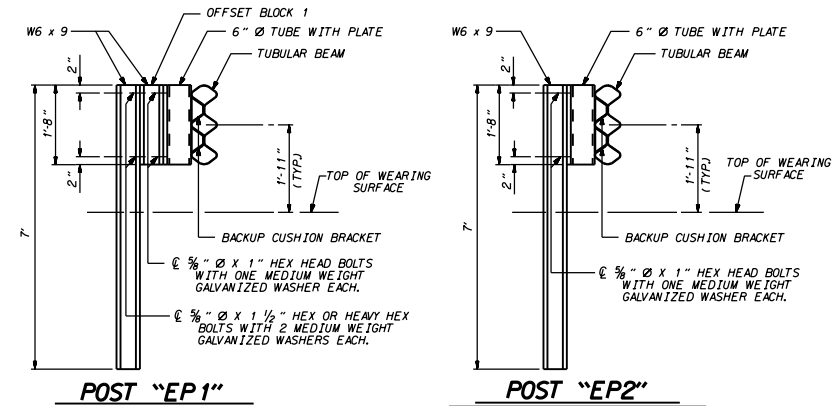


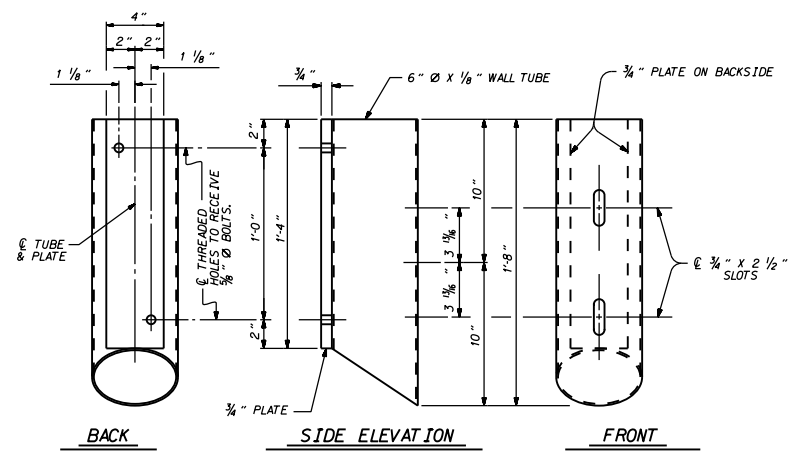
DETAIL SHOWING CONNECTION OF 6" Ø TUBE TO POST OR OFFSET BLOCK



PLAN OF ANGLE

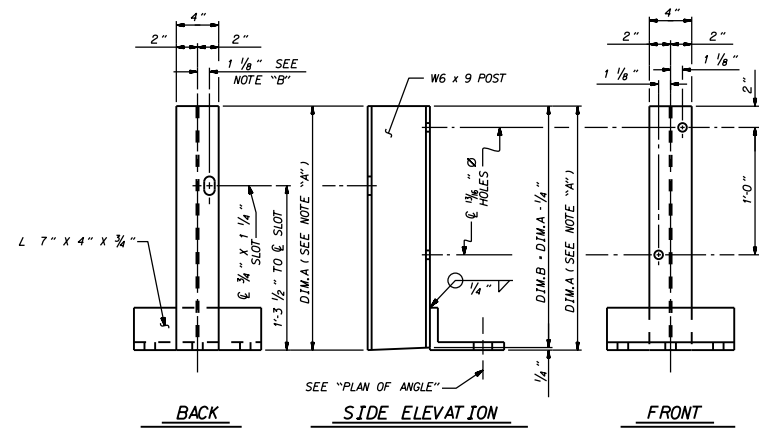


POST "EP1" POST "EP2"

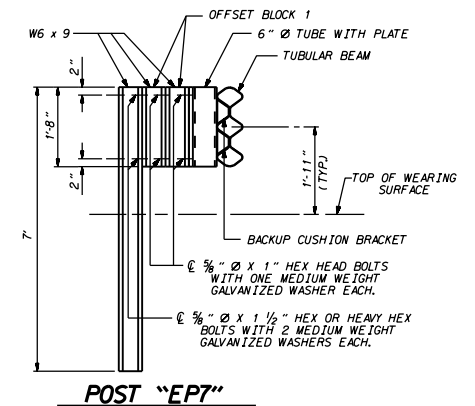


6" Ø TUBE DETAILS

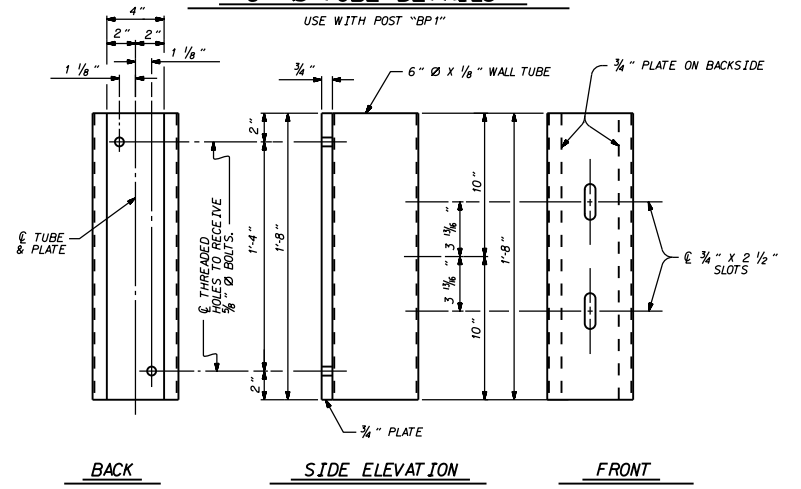
USE WITH POST "BP1"



BP1 POST DETAILS

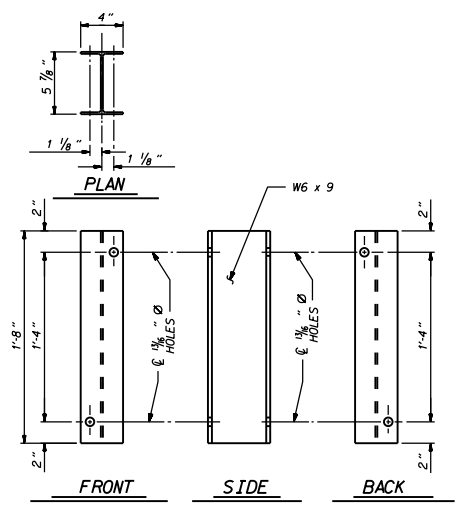


POST "EP7"

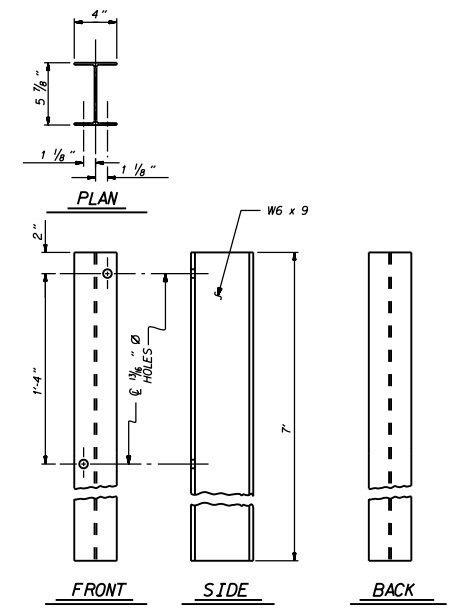


6" Ø TUBE DETAILS

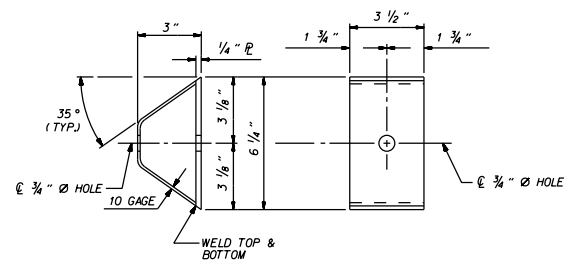
USE WITH POST "EP1, EP2, & EP7"



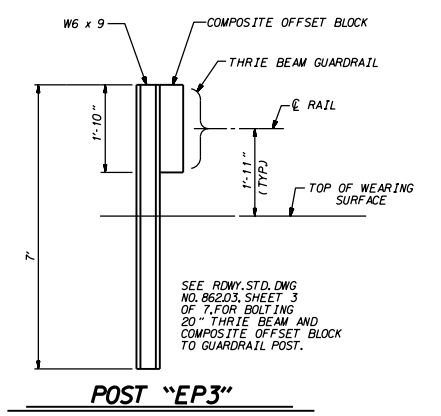
DETAILS OF OFFSET BLOCK 1



DETAIL OF POST EP1, EP2, & EP7



BACKUP CUSHION BRACKET



POST "EP3"

CONTRACT STANDARDS AND DEVELOPMENT UNIT
 Office 919-707-6950 FAX 919-250-4119

RETROFIT OF EXISTING BRIDGE RAIL WITH TUBULAR BEAM GUARDRAIL

ORIGINAL BY: C.O. CUEVAS DATE: 9-1-98
 MODIFIED BY: DATE:
 CHECKED BY: DATE:
 FILE SPEC.: ds182:\usr\cesar\english\retrofit.dgn