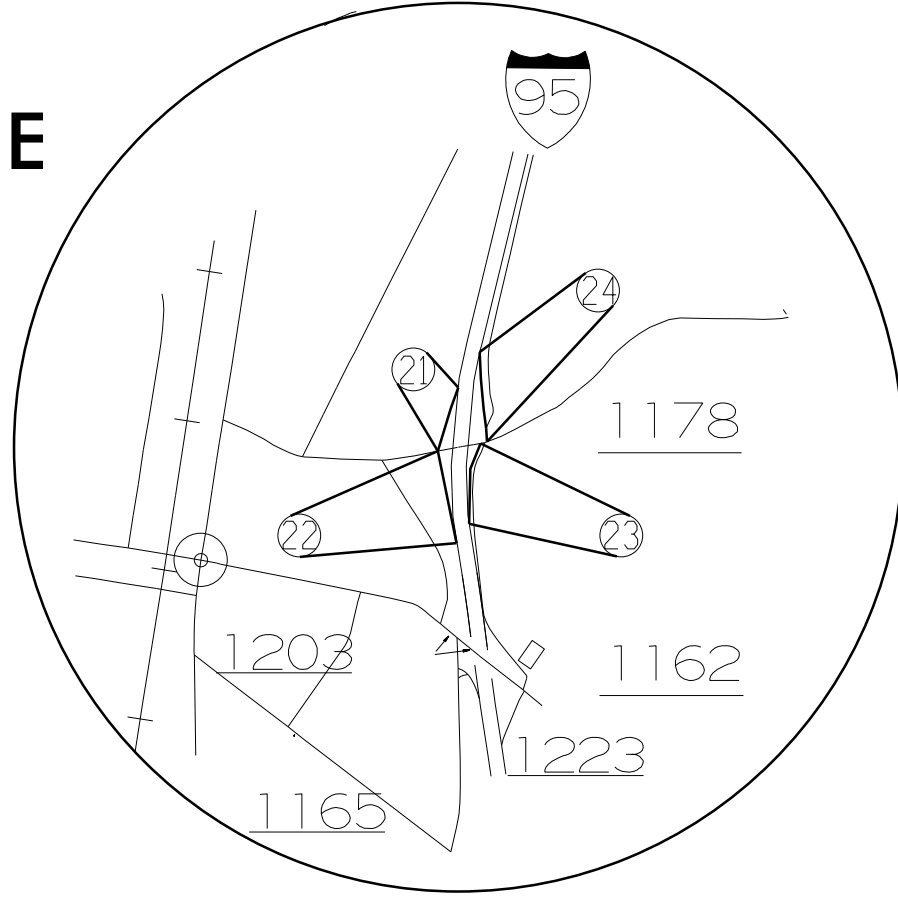
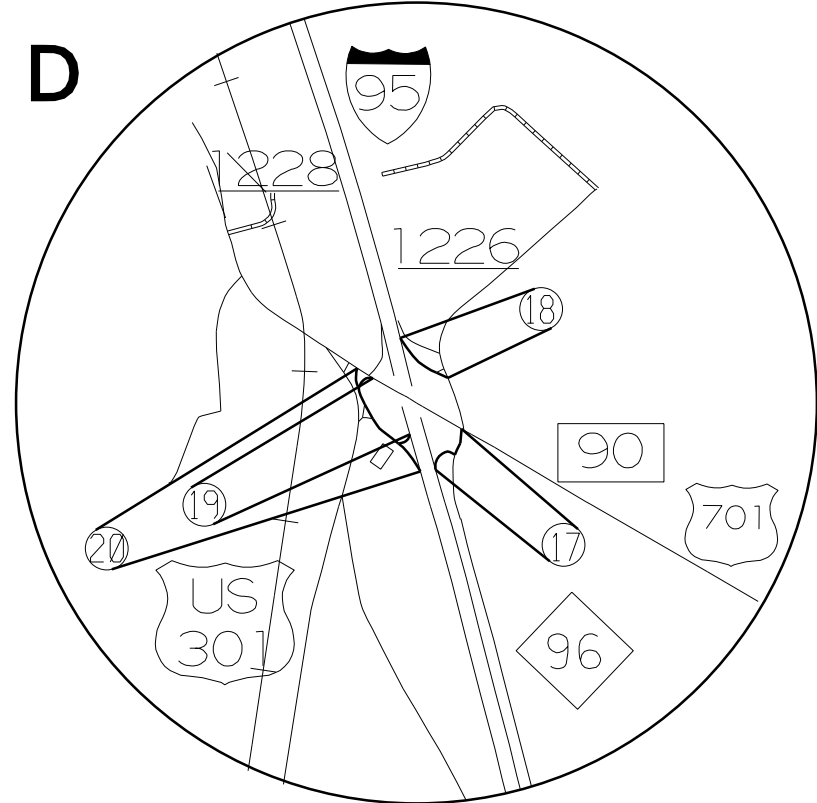
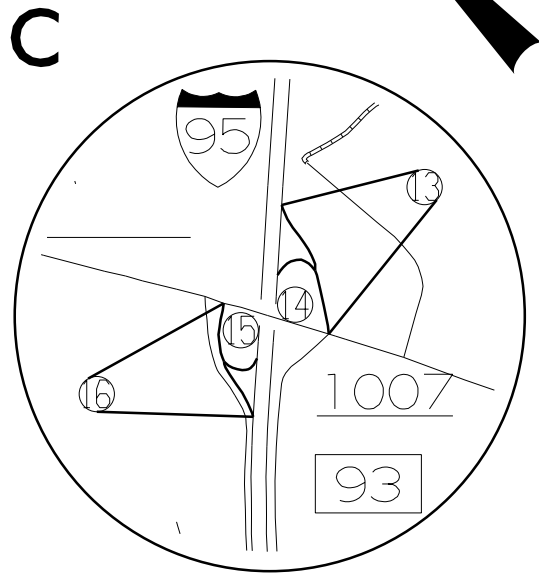
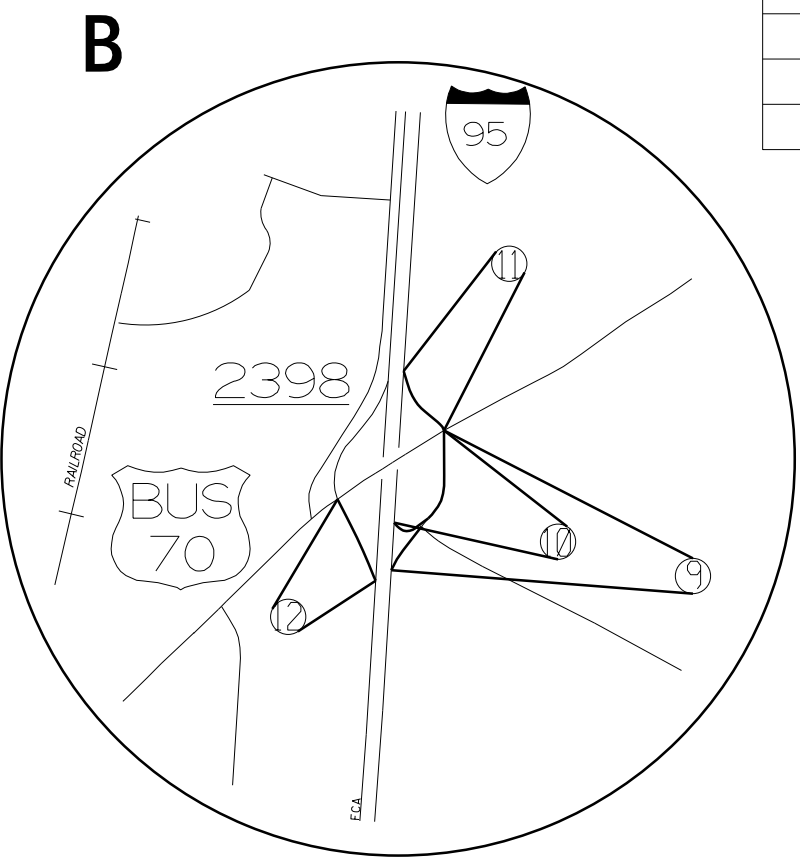
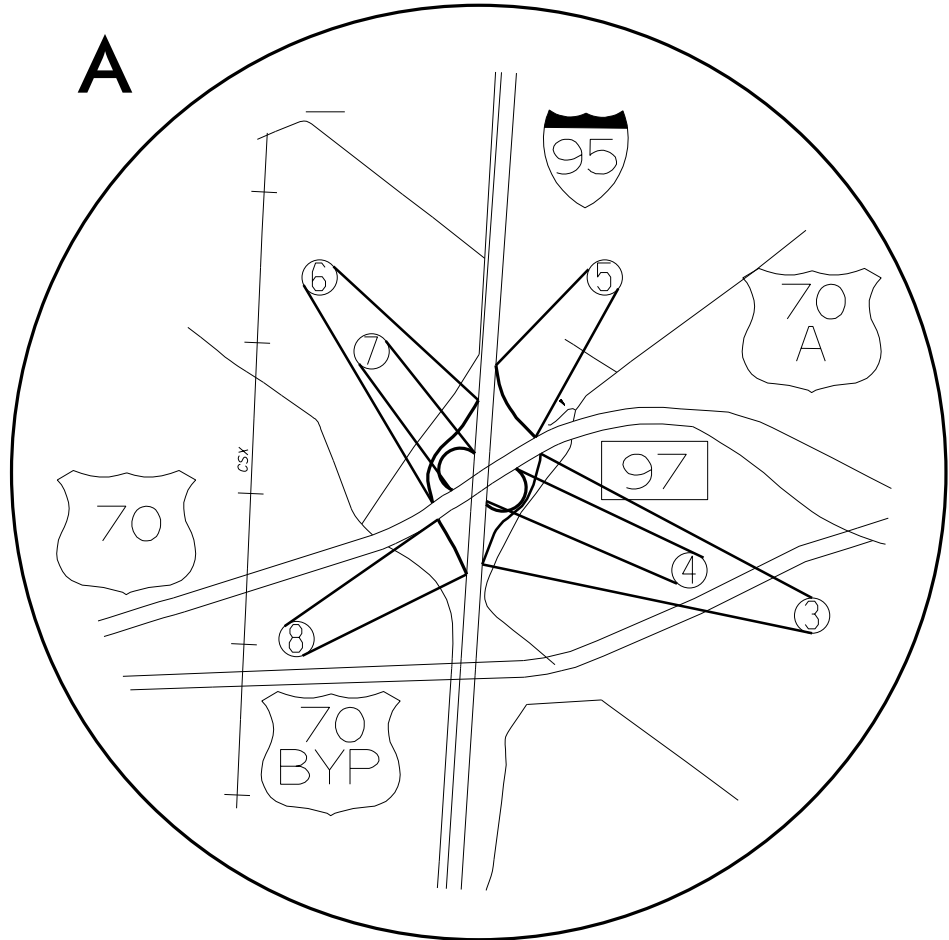


PROJECT NO.	SHEET NO.	TOTAL SHEETS
TIP I-5784	2	
WBS 53025.3.1	DESCRIPTION	
	CONST.	



**JOHNSTON COUNTY**  
**NORTH CAROLINA**

