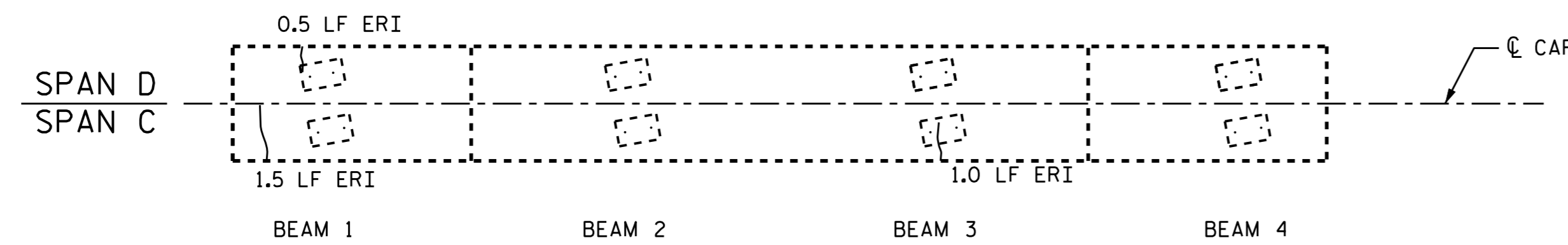


NOTE:
 REPAIR LOCATIONS AND ESTIMATE OF QUANTITIES ARE GIVEN WITH THE BEST INFORMATION AVAILABLE. IF ADDITIONAL REPAIRS NOT SHOWN ON THE DRAWINGS ARE DEEMED NECESSARY BY THE ENGINEER, THE ENGINEER SHALL NOTE ON THE DRAWINGS THE APPROXIMATE LOCATION AND DESCRIPTION OF THE REPAIRS AND ADJUST THE ACTUAL QUANTITIES ENTERED INTO THE REPAIR QUANTITY TABLE.

FOR STRUCTURE REPAIRS, SEE "TYPICAL CAP AND COLUMN REPAIR DETAILS" SHEET S-72.

EPOXY COATING SHALL BE APPLIED TO THE TOP FACE OF THE BENT CAP.

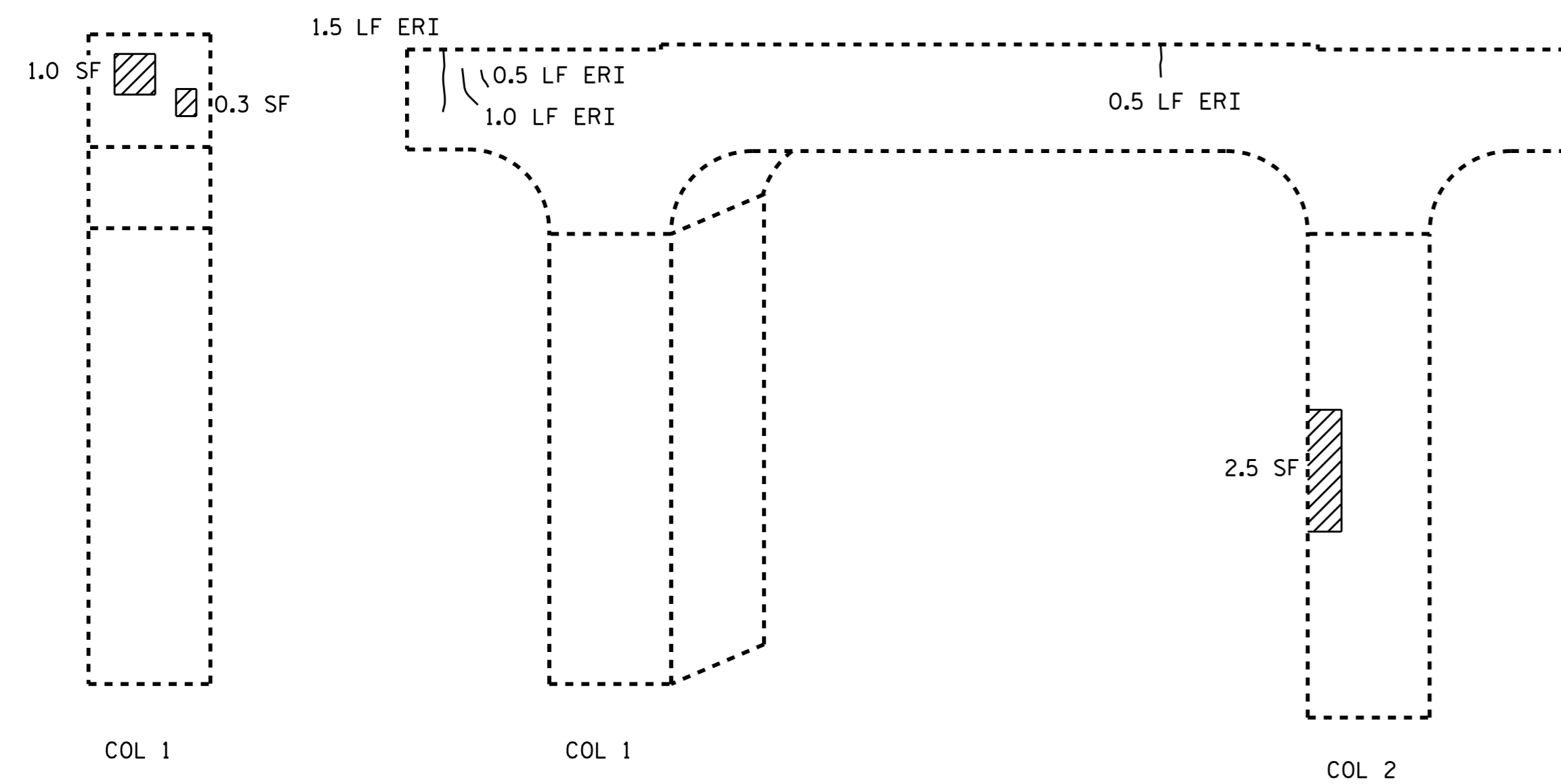


TOP OF CAP

CONCRETE REPAIR

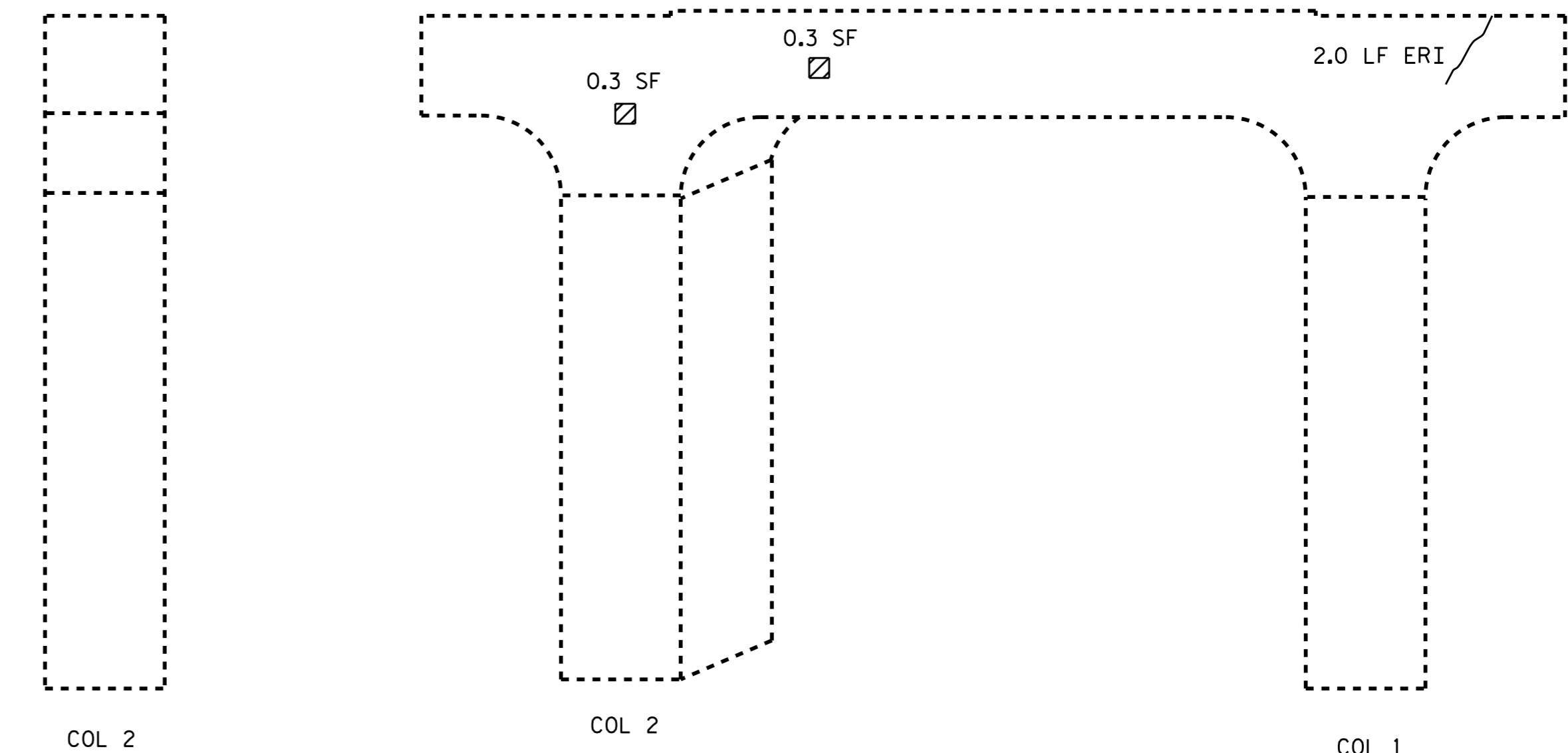
SHOTCRETE REPAIR

ERI - EPOXY RESIN INJECTION



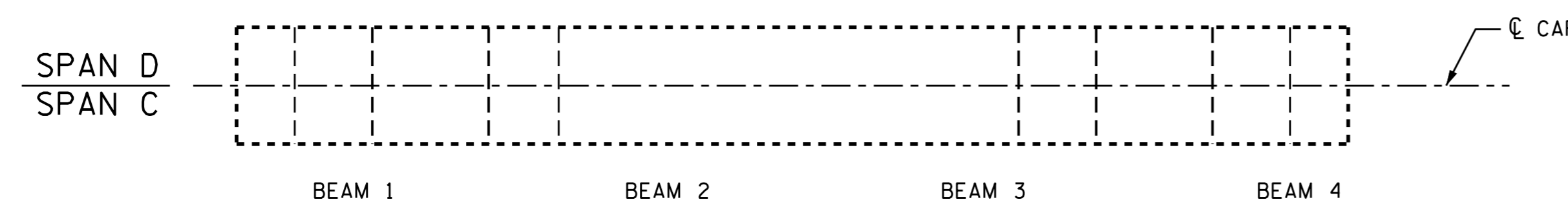
END VIEW
WEST FACE

ELEVATION
SOUTH FACE



END VIEW
EAST FACE

ELEVATION
NORTH FACE



BOTTOM OF CAP

REPAIR QUANTITY TABLE				
REPAIRS BENT 3	QUANTITIES			
	ESTIMATE		ACTUAL	
SHOTCRETE REPAIRS	AREA SF.	VOLUME CF.	AREA SF.	VOLUME CF.
CAP (VERTICAL FACE)	1.9	0.5		
CAP (HORIZONTAL FACE)				
COLUMN (VERTICAL FACE)	2.5	0.6		
CONCRETE REPAIRS				
EPOXY RESIN INJECTION		LN. FT.		LN. FT.
CAP		8.5		
COLUMN		0.0		
EPOXY COATING		SO. FT.		SO. FT.
TOP OF CAP		82.2		

VALUES IN CHART REPRESENT ESTIMATED REPAIR TOTALS AFTER REMOVAL OF UNSOUND CONCRETE, MIN. OF 1" BEHIND REBAR AND MIN. 1" CL TO SAWCUT. SEE REPAIR DETAILS.



DocuSigned by:
Ting H. Fang
E7208040907435...

1/28/2016

PROJECT NO. I-5788
HARNETT COUNTY
 BRIDGE NO.: 73

SHEET 4 OF 4

STATE OF NORTH CAROLINA
 DEPARTMENT OF TRANSPORTATION
 RALEIGH
 SUBSTRUCTURE REPAIR
 BENT 3
 NBL

REVISIONS						SHEET NO.
NO.	BY:	DATE:	NO.	BY:	DATE:	S-61
1			3			TOTAL SHEETS
2			4			72

DRAWN BY : A. SORSENGINH DATE : 10/30/15
 CHECKED BY : S. B. WILLIAMS DATE : 11/4/15