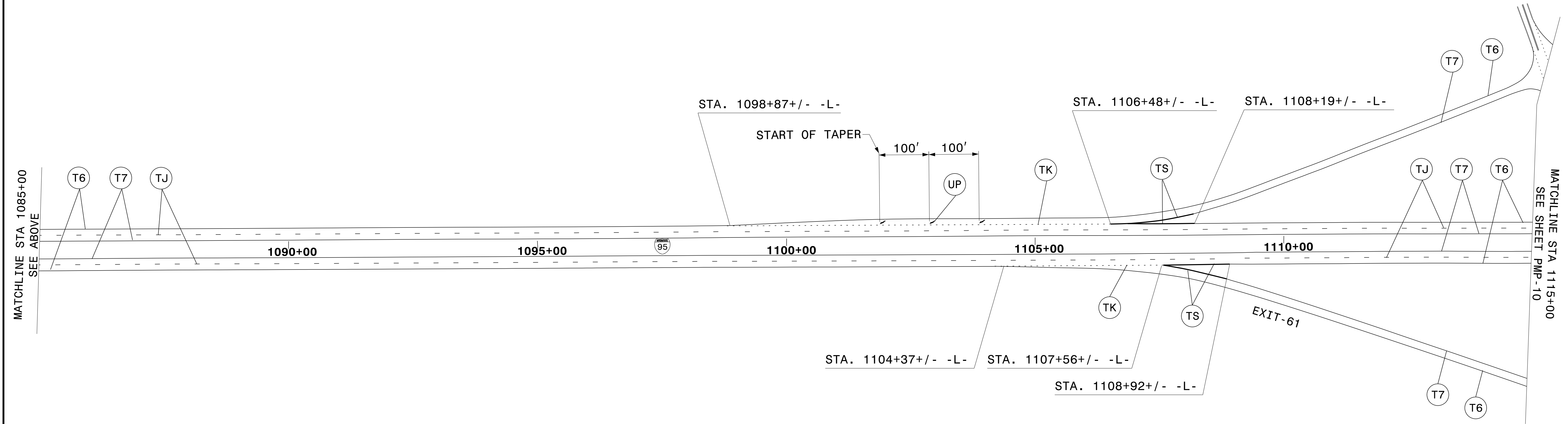
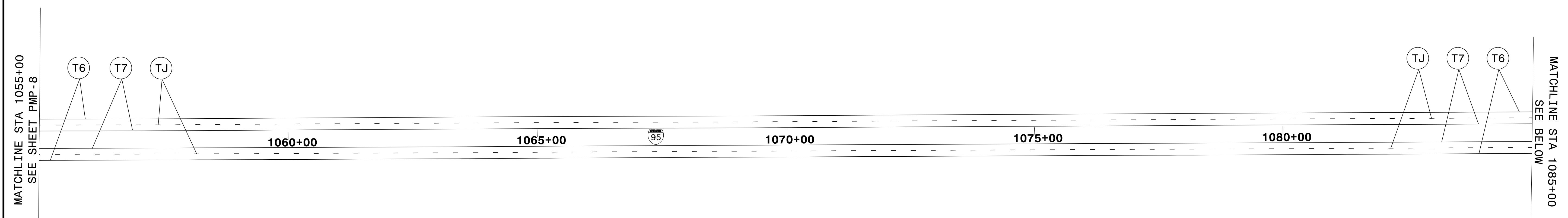
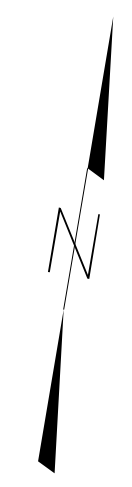


TIP NO. I-5788	SHEET NO. PMP-9
APPROVED: <i>Ayman Alqudwah</i> <small>DESIGNED BY: F32ACSCAF066472</small>	
DATE: 12/8/2015	
SEAL	



**PAVEMENT MARKING DETAIL**