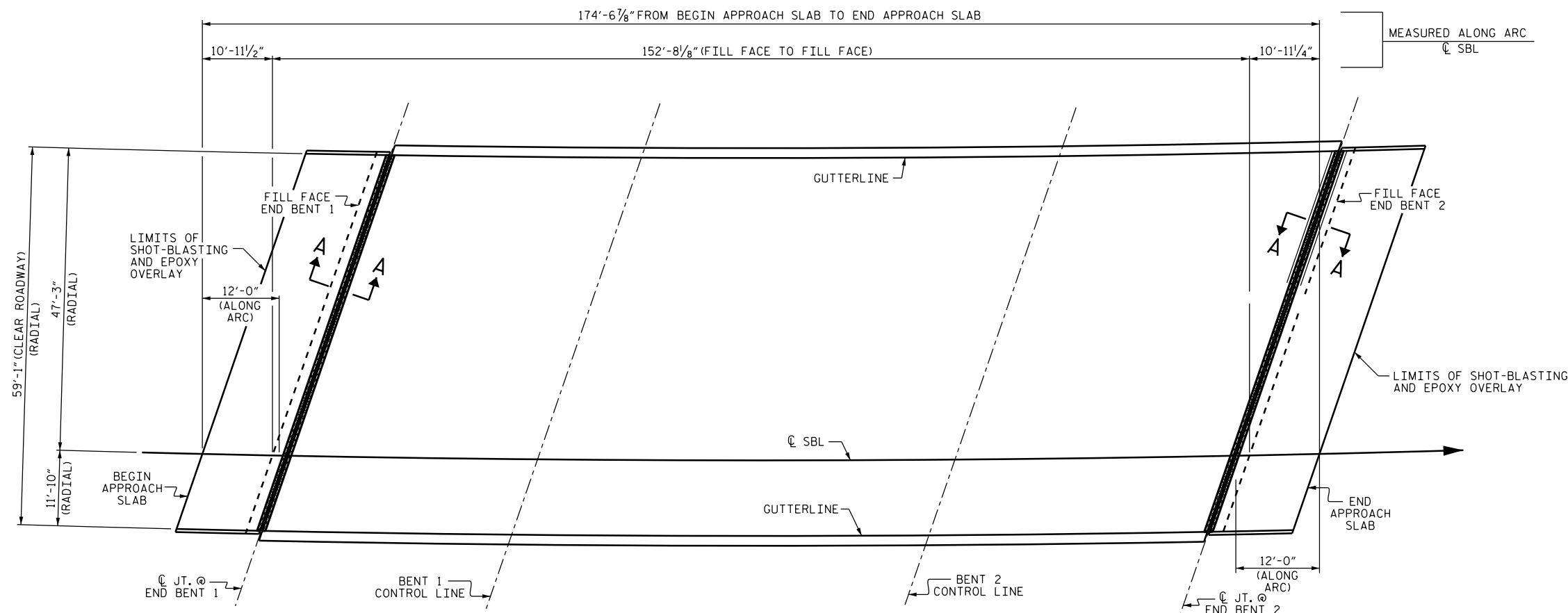


SUMMARY OF QUANTITIES

	ESTIMATE	ACTUAL
ELASTOMERIC CONCRETE	42.0 CU. FT.	
BRIDGE JOINT DEMOLITION	167.0 SQ. FT.	

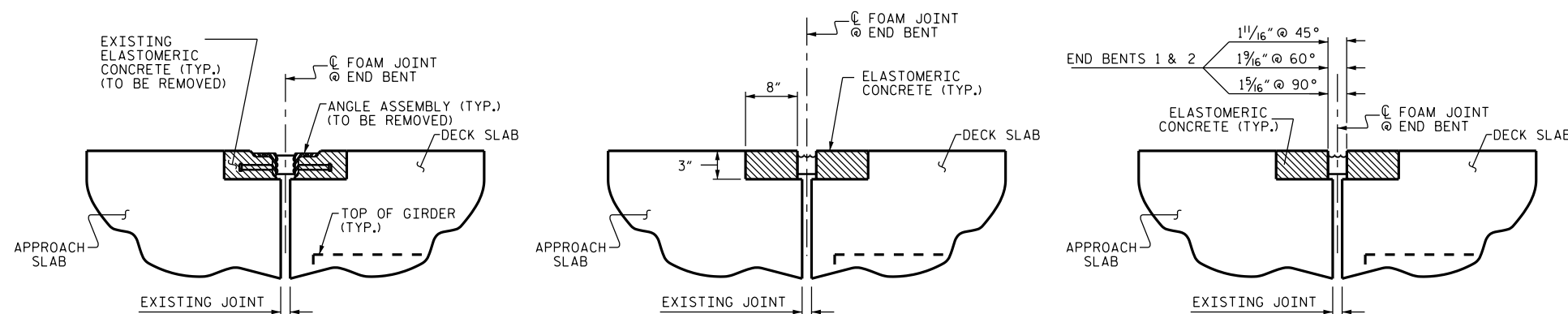
NOTES:

FOR FOAM JOINT SEALS SEE SPECIAL PROVISIONS.
 THE INSTALLED FOAM JOINT SEAL SHALL BE WATER TIGHT.
 NOMINAL UNCOMPRESSED SEAL WIDTH OF FOAM JOINT SEAL SHALL BE 2".



PLAN

JOINT DEMOLITION



EXISTING

PROPOSED

PROPOSED FOAM JOINT SEAL

JOINT SEAL DETAILS AT END BENT
SECTION A-A

PROJECT NO. I-5790
GUILFORD COUNTY
 BRIDGE NO. 789

STATE OF NORTH CAROLINA DEPARTMENT OF TRANSPORTATION RALEIGH					
JOINT DEMOLITION DETAILS (SBL)					
REVISIONS					SHEET NO.
NO.	BY:	DATE:	NO.	BY:	DATE:
1			3		
2			4		
					TOTAL SHEETS
					10

DocuSigned by:

 E06BC... NORTH CAROLINA PROFESSIONAL SEAL 20103 ENGINEER FARZIN ASEFINA

1/27/2016

DRAWN BY : M. WELDON DATE : 10/2015
 CHECKED BY : F. ASEFINIA DATE : 10/2015

27-JAN-2016 09:03
 Z:\TIP\Projects-I\I5790\Structures\DGN\402.005.I5790.SMU.S7.SP.DGN
 mweldon