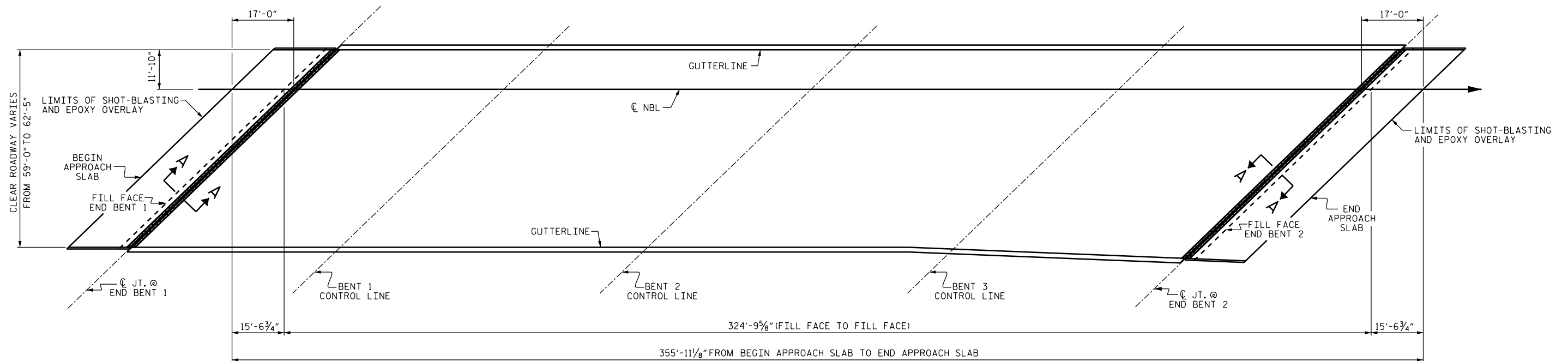


SUMMARY OF QUANTITIES

	ESTIMATE	ACTUAL
ELASTOMERIC CONCRETE	58.0 CU. FT.	
BRIDGE JOINT DEMOLITION	233.0 SQ. FT.	

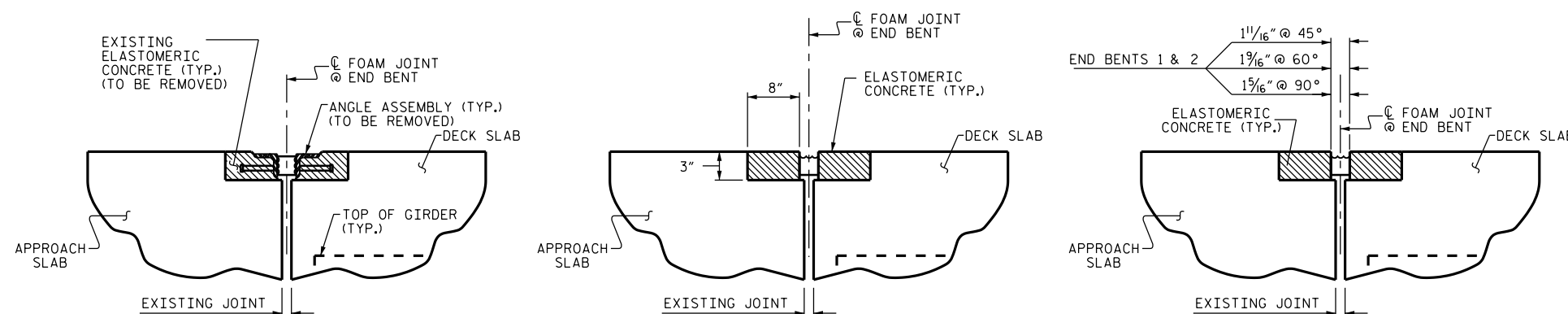
NOTES:

FOR FOAM JOINT SEALS SEE SPECIAL PROVISIONS.
 THE INSTALLED FOAM JOINT SEAL SHALL BE WATER TIGHT.
 NOMINAL UNCOMPRESSED SEAL WIDTH OF FOAM JOINT SEAL SHALL BE 2".



PLAN

JOINT DEMOLITION



EXISTING

PROPOSED

PROPOSED FOAM JOINT SEAL

JOINT SEAL DETAILS AT END BENT

SECTION A-A

PROJECT NO. I-5790
GUILFORD COUNTY
 BRIDGE NO. 786

STATE OF NORTH CAROLINA
 DEPARTMENT OF TRANSPORTATION
 RALEIGH

**JOINT DEMOLITION
 DETAILS
 (NBL)**

DocuSigned by:

 E06BC401
 NORTH CAROLINA
 PROFESSIONAL
 SEAL
 20103
 ENGINEER
 FARZIN ASEFMA

1/27/2016

DRAWN BY : T.L. AVERETTE DATE : 10/2015
 CHECKED BY : J.P. ADAMS DATE : 10/2015

REVISIONS						SHEET NO.
NO.	BY:	DATE:	NO.	BY:	DATE:	S-3
1			3			TOTAL SHEETS
2			4			10