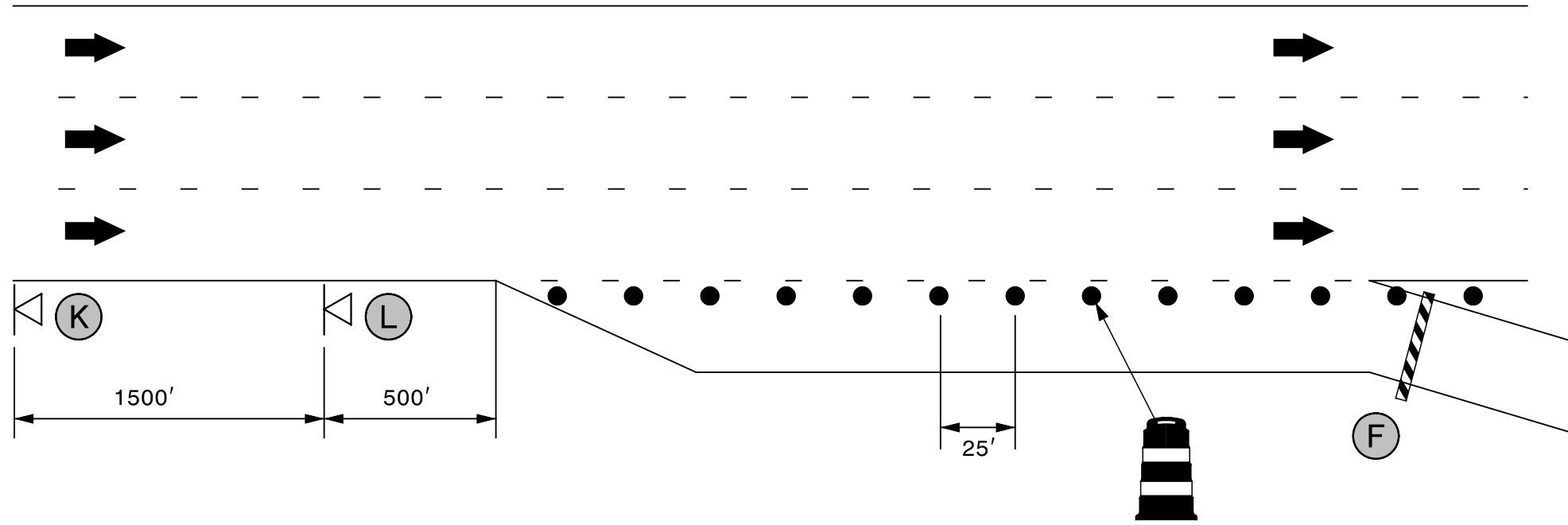
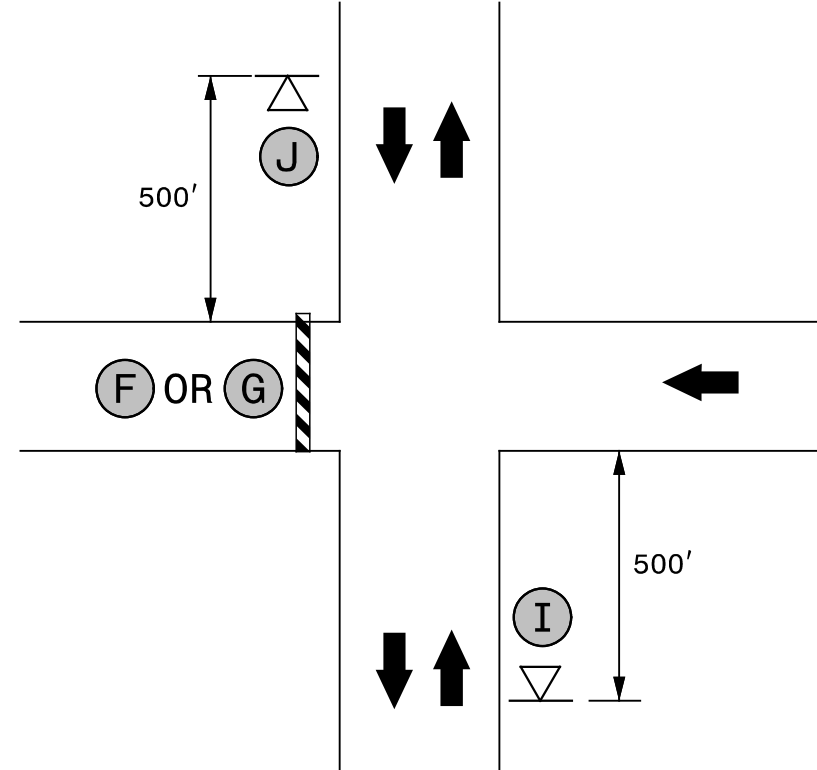


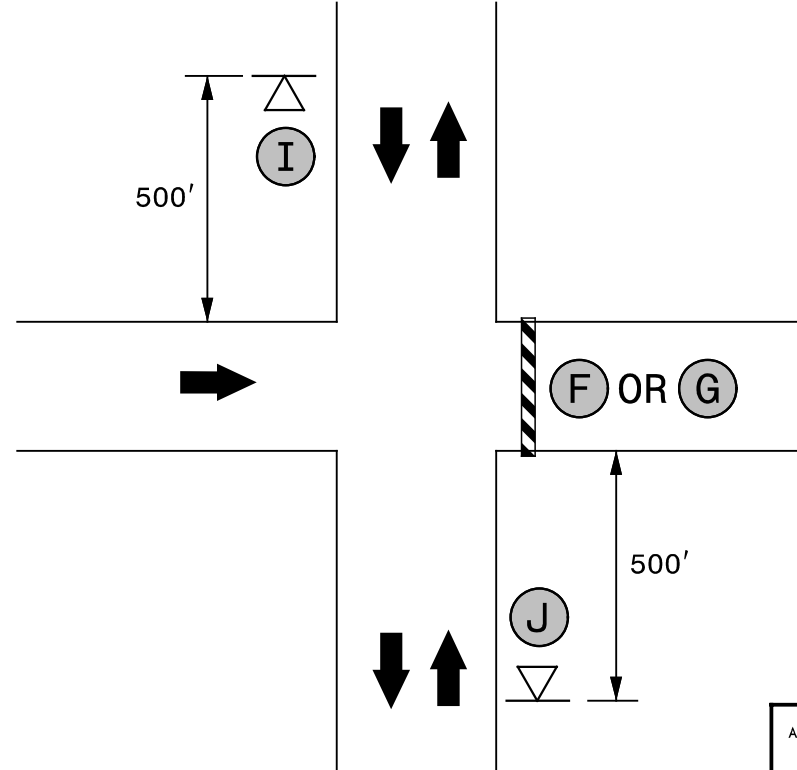
# RAMP A, RAMP C CLOSURE



# RAMP B, LOOP C CLOSURE



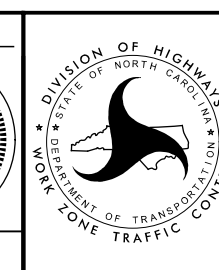
# RAMP D CLOSURE



NOTE: SEE TMP-2 FOR SIGN LEGEND

DocuSigned by:

APPROVED: *Steve Miller*  
 DATE: 12/4/2015  
 SEAL  
 DOCUMENT NOT CONSIDERED FINAL  
 UNLESS ALL SIGNATURES COMPLETED



RAMP  
 CLOSURE  
 TYPICAL

**SEPI**  
 ENGINEERING &  
 CONSTRUCTION  
 1025 Wade Avenue  
 Raleigh, NC 27605  
 Tel: 919-789-9977  
 Fax: 919-789-9591  
 License: C-2197

I:\30\2015\G:\Traffic\I-5790\I-5855 TMP\TMP-I-5790-I-5855 TMP-15.dgn