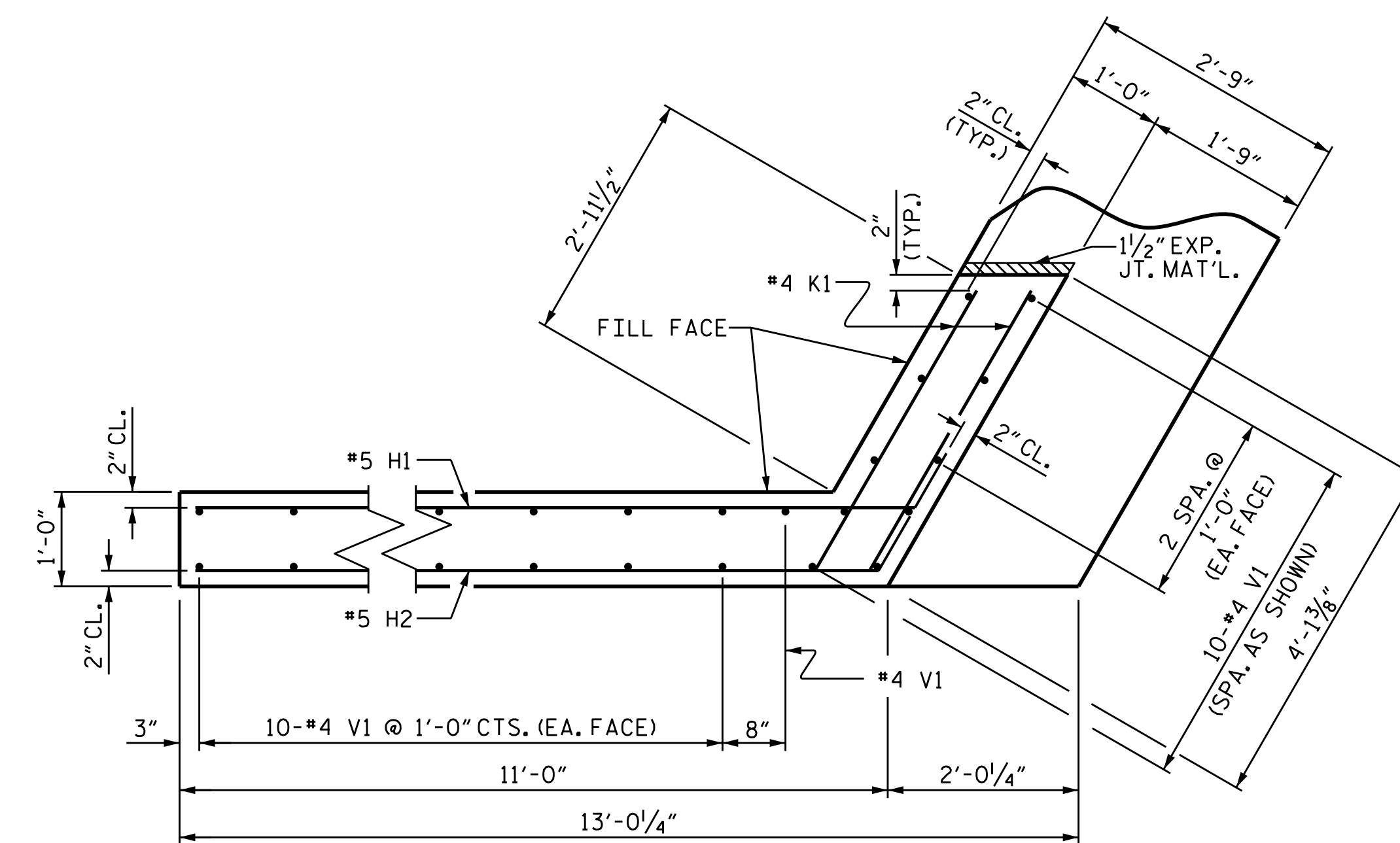
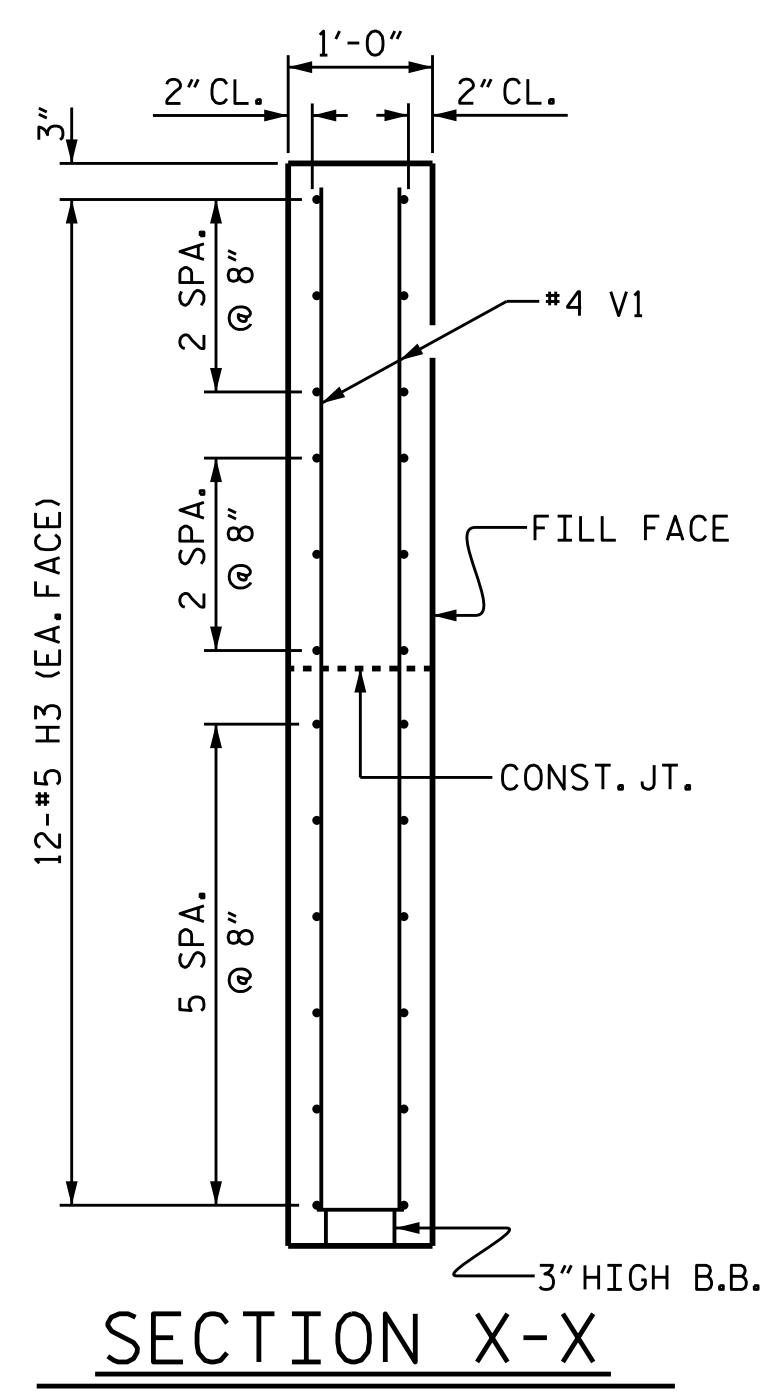


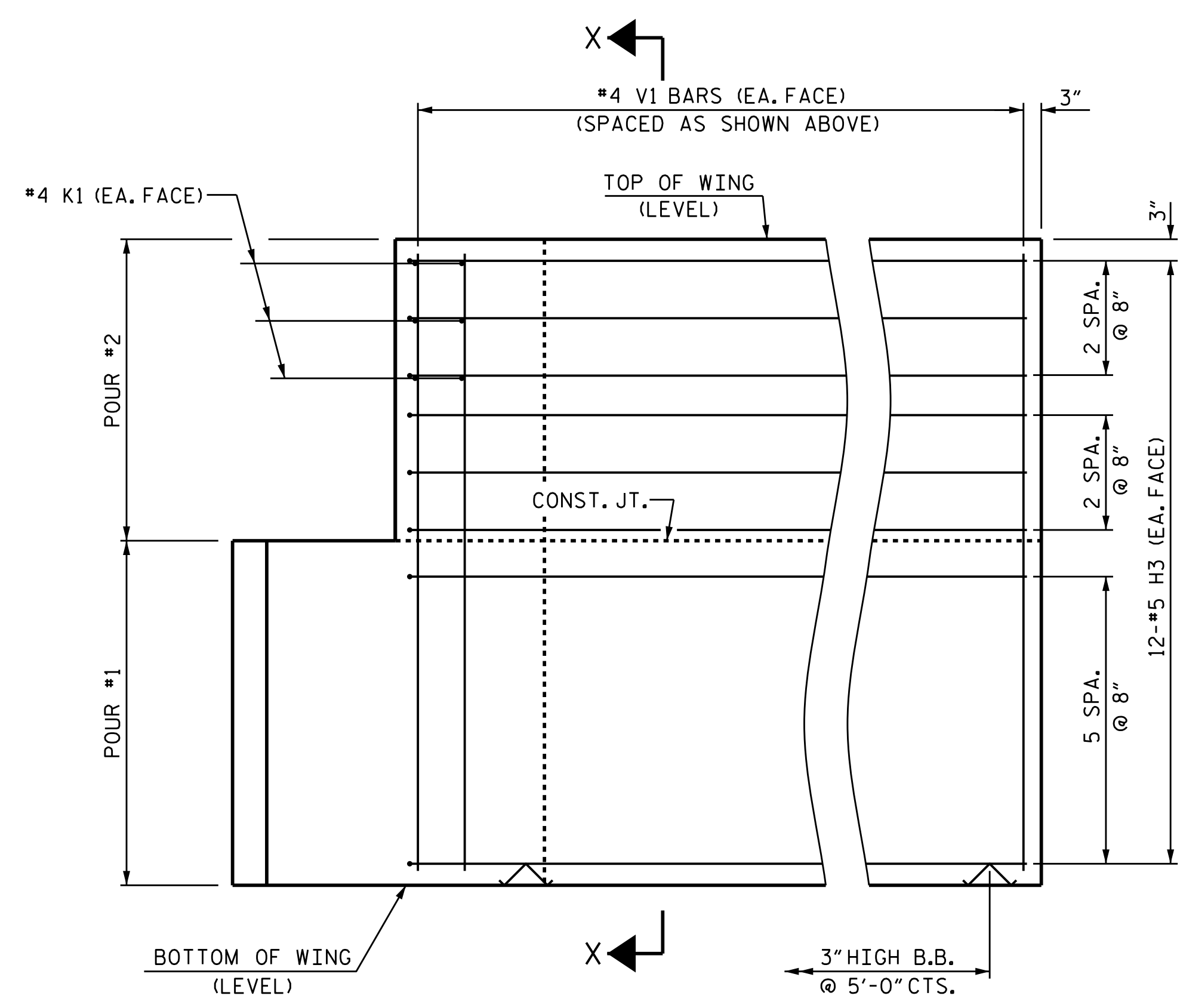
PLAN OF WING (W1)



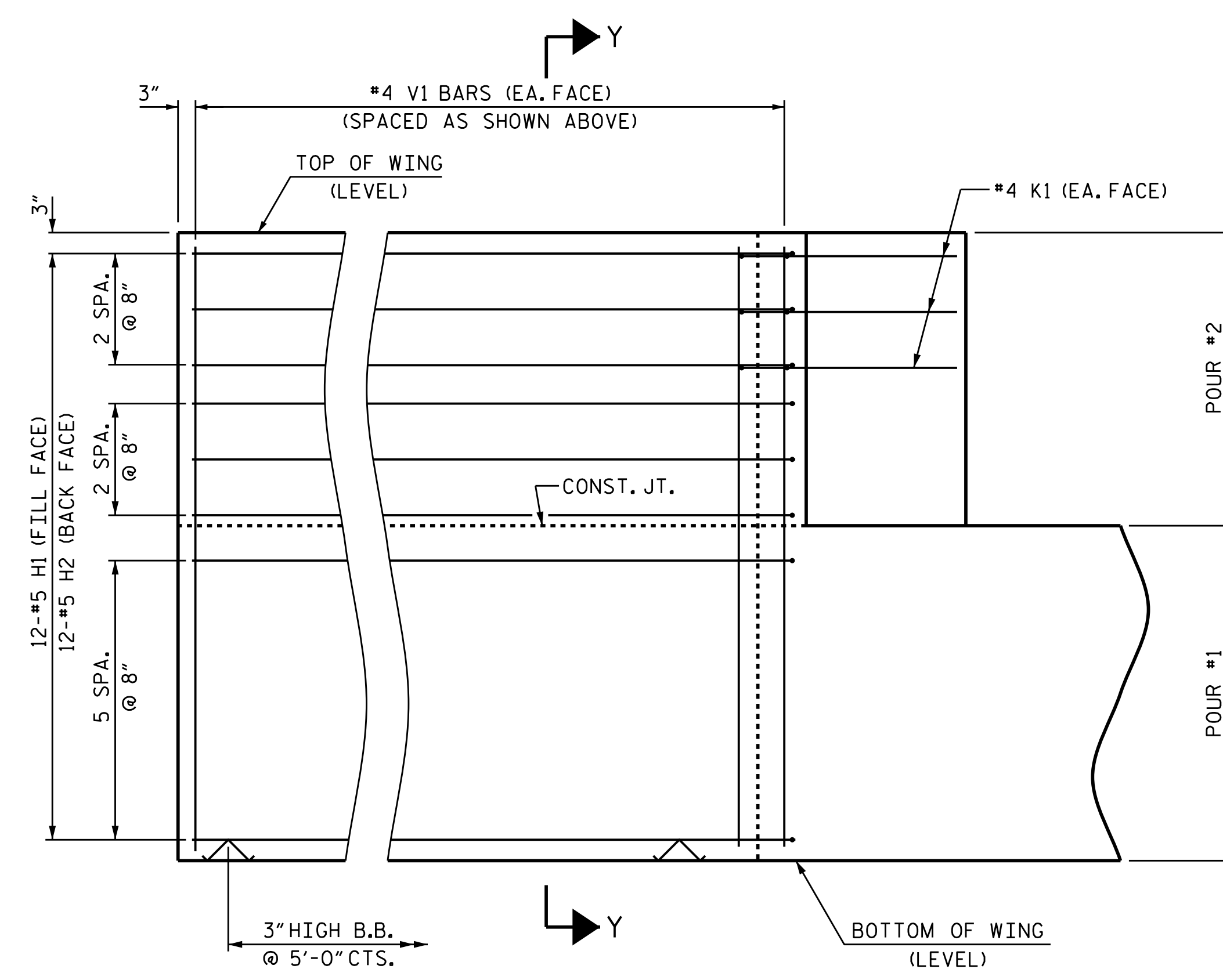
PLAN OF WING (W2)



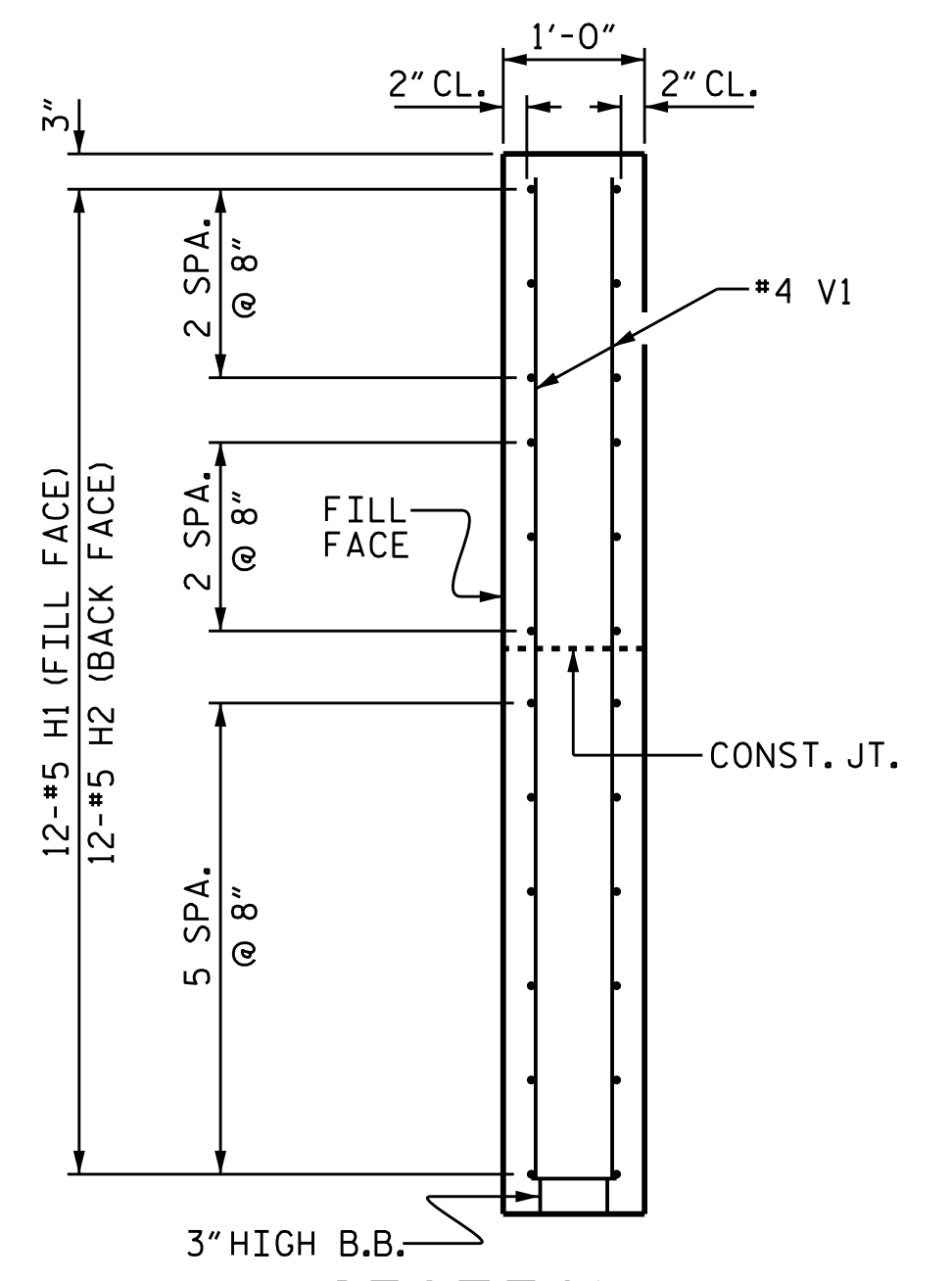
SECTION X-X



ELEVATION OF WING (W1)



ELEVATION OF WING (W2)

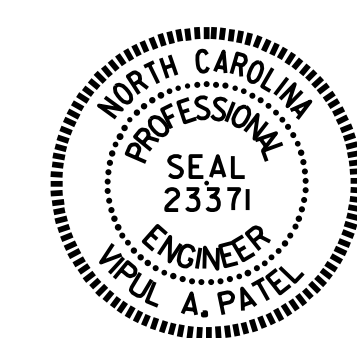


SECTION Y-Y

WING DETAILS

PROJECT NO. B-4751
GASTON COUNTY
 STATION: 15+53.00 -L-

SHEET 3 OF 4



STATE OF NORTH CAROLINA
 DEPARTMENT OF TRANSPORTATION
 RALEIGH

SUBSTRUCTURE
 END BENT
 WING DETAILS

ASSEMBLED BY: N.D'AIUTO DATE: 3/8/15
 CHECKED BY: T.H.CARROLL DATE: 3/9/15
 DESIGN ENGINEER OF RECORD: N.D'AIUTO DATE: 3/9/15

DOCUMENT NOT CONSIDERED
 FINAL UNLESS ALL
 SIGNATURES COMPLETED

REVISIONS						SHEET NO.
NO.	BY:	DATE:	NO.	BY:	DATE:	S-16
1			3			TOTAL SHEETS
2			4			19