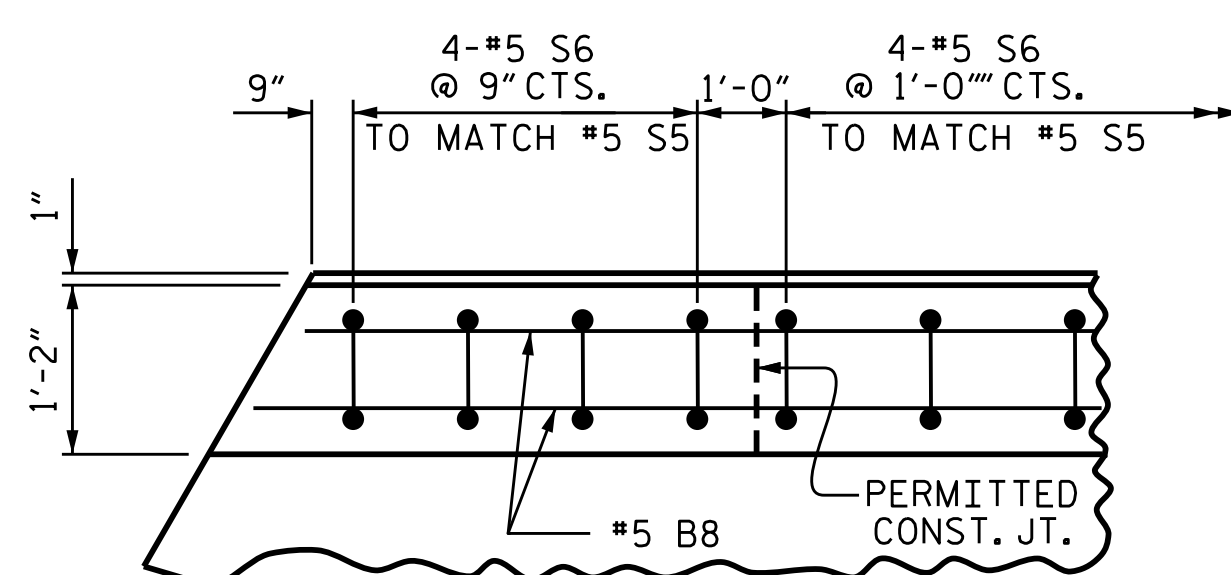
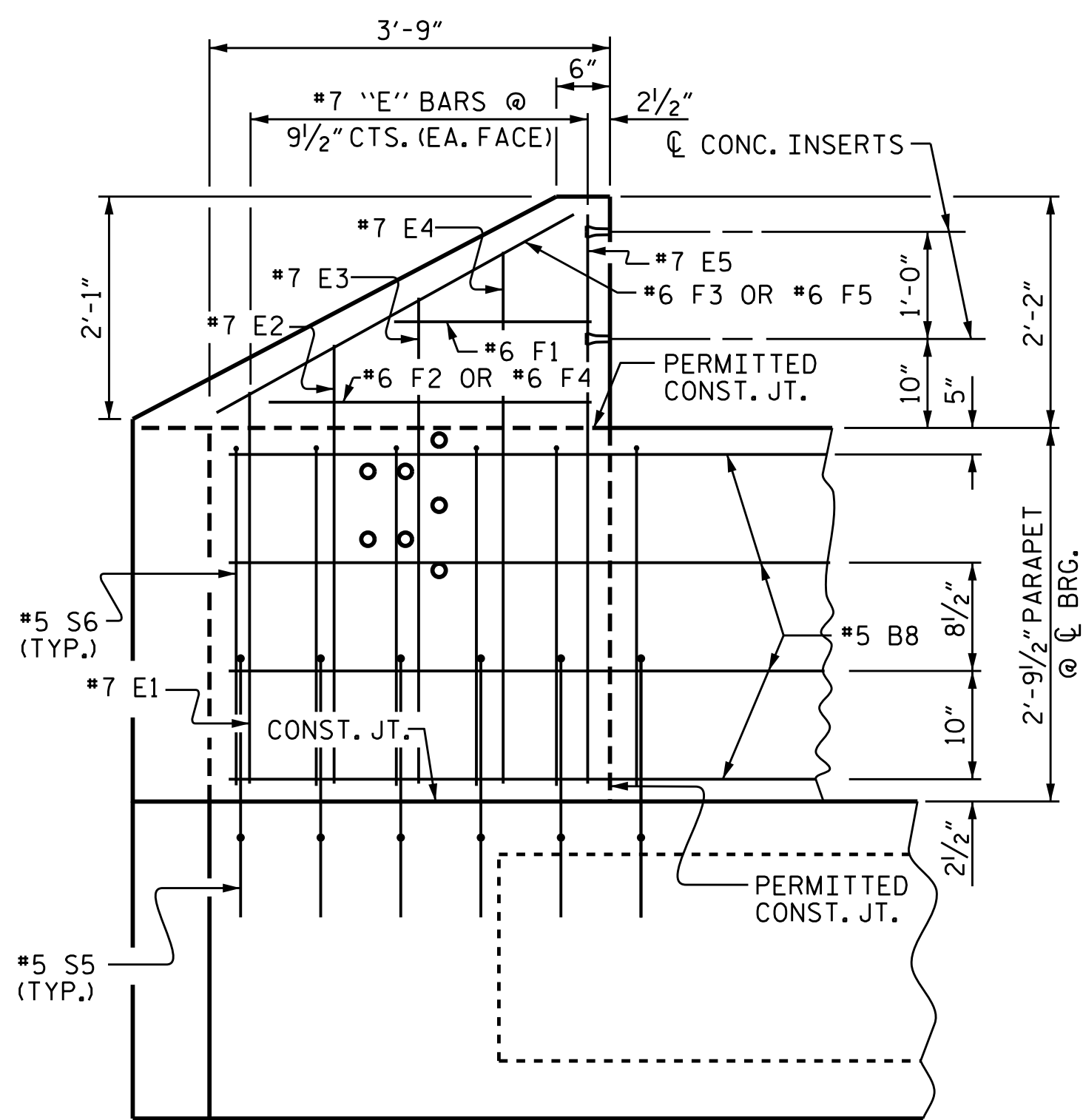


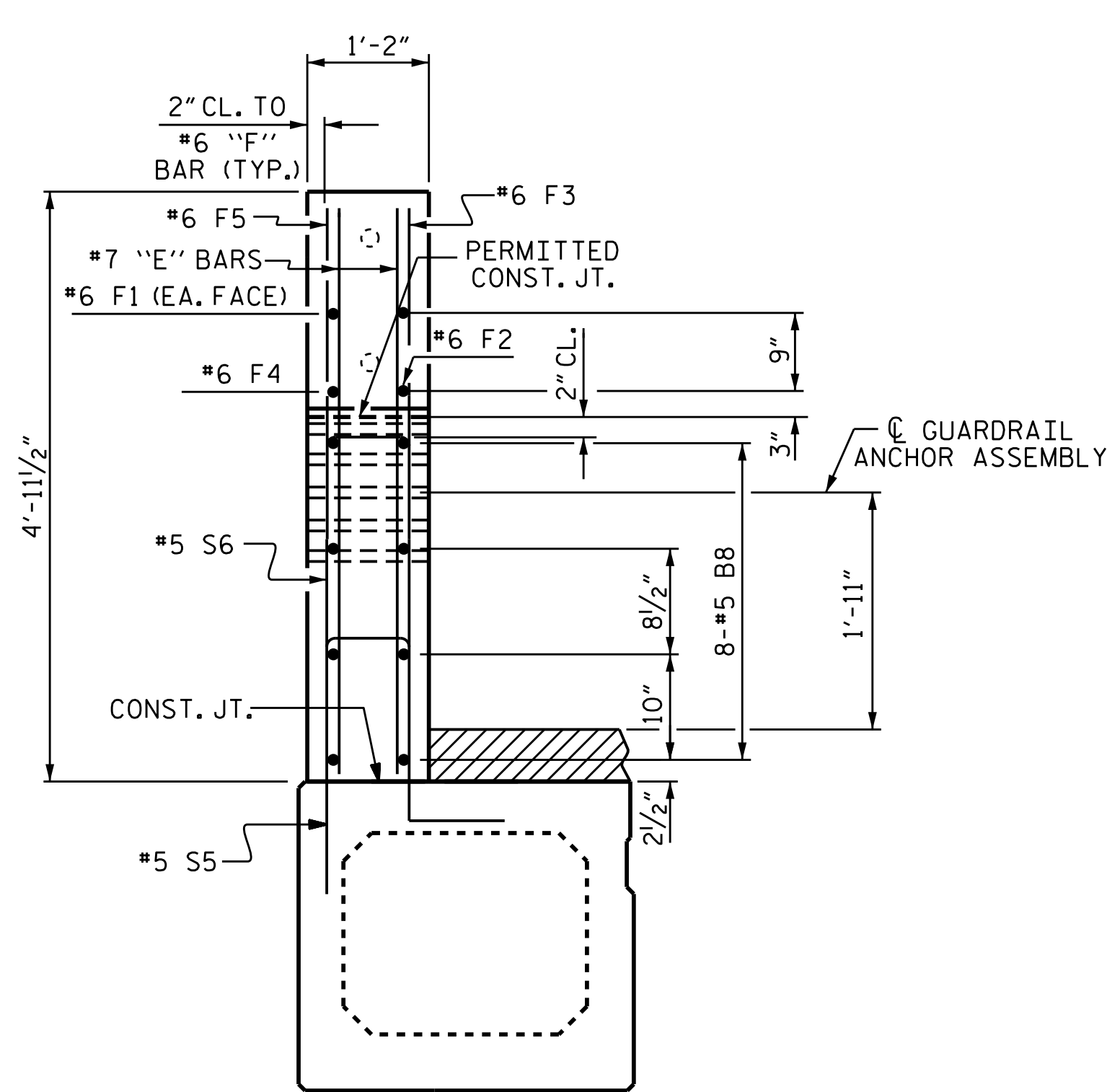
PLAN OF END POST



PLAN OF PARAPET



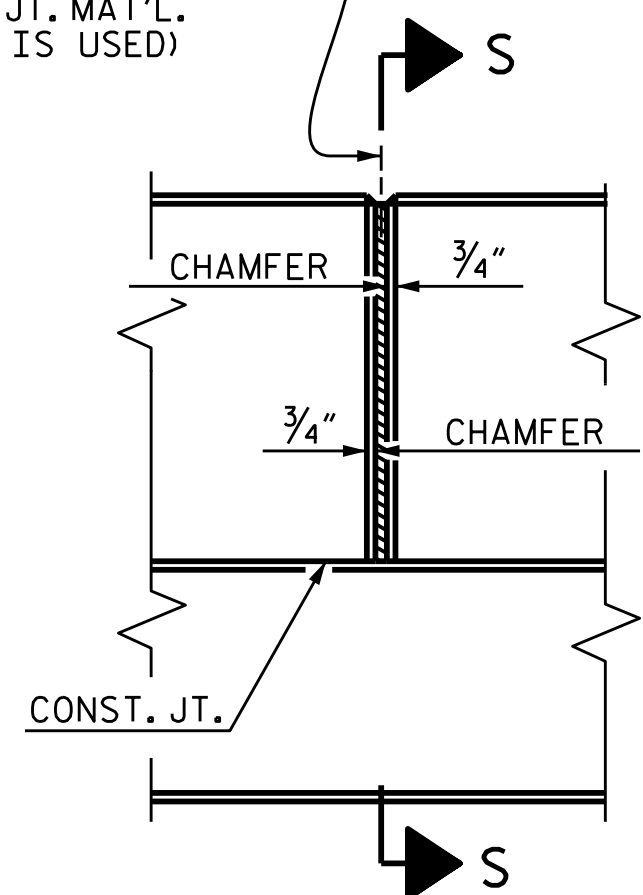
ELEVATION



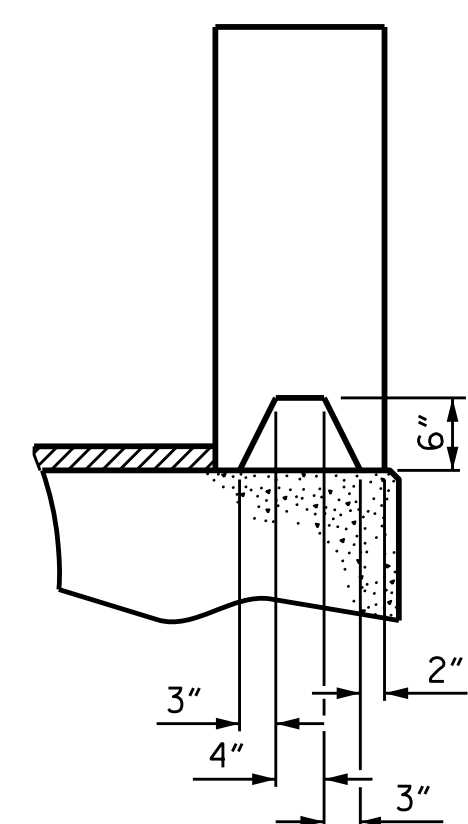
END VIEW

PARAPET AND END POST FOR TWO-BAR RAIL

1/2" EXP. JT. MAT'L HELD IN PLACE WITH GALVANIZED NAILS. (NOTE: OMIT EXP. JT. MAT'L WHEN SLIP FORM IS USED)

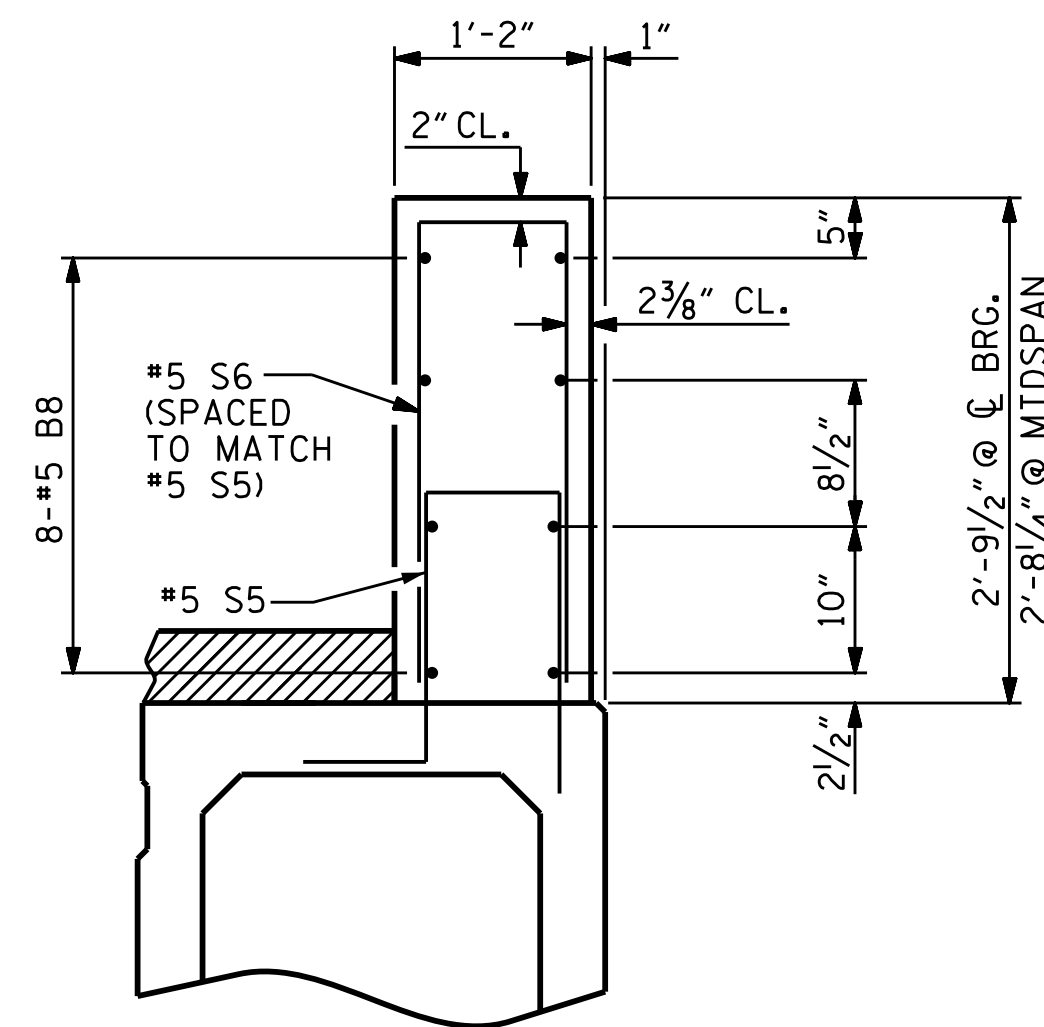


ELEVATION AT EXPANSION JOINTS



SECTION S-S  
AT DAM IN OPEN JOINT  
(THIS IS TO BE USED ONLY WHEN SLIP FORM IS USED)

PARAPET DETAILS



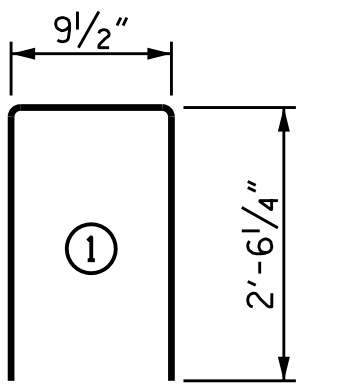
SECTION THROUGH PARAPET

NOTES

ALL REINFORCING STEEL IN THE PARAPETS AND END POSTS SHALL BE EPOXY COATED.

VERTICAL GROOVED CONTRACTION JOINTS, 1/2" IN DEPTH, SHALL BE TOOLED IN ALL EXPOSED FACES OF THE PARAPET AND IN ACCORDANCE WITH ARTICLE 825-10(B) OF THE STANDARD SPECIFICATIONS. A CONTRACTION JOINT SHALL BE LOCATED AT EACH THIRD POINT BETWEEN PARAPET EXPANSION JOINTS. ONLY ONE CONTRACTION JOINT IS REQUIRED AT MIDPOINT OF PARAPET SEGMENTS LESS THAN 20 FEET IN LENGTH AND NO CONTRACTION JOINTS ARE REQUIRED FOR THOSE SEGMENTS LESS THAN 10 FEET IN LENGTH.

BAR TYPE



BAR DIMENSIONS ARE OUT TO OUT

BILL OF MATERIAL

PARAPETS & END POSTS

BAR	NO.	SIZE	TYPE	LENGTH	WEIGHT
* B8	96	#5	STR	15'-1"	1510
* E1	8	#7	STR	2'-11"	48
* E2	8	#7	STR	3'-5"	56
* E3	8	#7	STR	3'-11"	64
* E4	8	#7	STR	4'-5"	72
* E5	8	#7	STR	4'-9"	78
* F1	8	#6	STR	1'-10"	22
* F2	4	#6	STR	3'-6"	21
* F3	4	#6	STR	4'-6"	27
* F4	4	#6	STR	3'-0"	18
* F5	4	#6	STR	3'-11"	24
* S6	160	#5	1	5'-10"	973
* EPOXY COATED REINFORCING STEEL				LBS.	2,913
CLASS AA CONCRETE				CU.YDS.	20.4
1'-2" X 2'-9 1/2" CONCRETE PARAPET				LIN. FT.	160.00

PROJECT NO. B-4751  
GASTON COUNTY  
STATION: 15+53.00 -L-



STATE OF NORTH CAROLINA  
DEPARTMENT OF TRANSPORTATION  
RALEIGH  
SUPERSTRUCTURE  
PARAPET  
&  
END POST DETAILS

REVISIONS

NO.	BY:	DATE:	NO.	BY:	DATE:	SHEET NO.
1			3			S-12
2			4			TOTAL SHEETS 19

DOCUMENT NOT CONSIDERED FINAL UNLESS ALL SIGNATURES COMPLETED

DRAWN BY: N.D. AIUTO DATE: 1/28/15  
CHECKED BY: T.H. CARROLL DATE: 3/4/15  
DESIGN ENGINEER OF RECORD: N.D. AIUTO DATE: 3/4/15