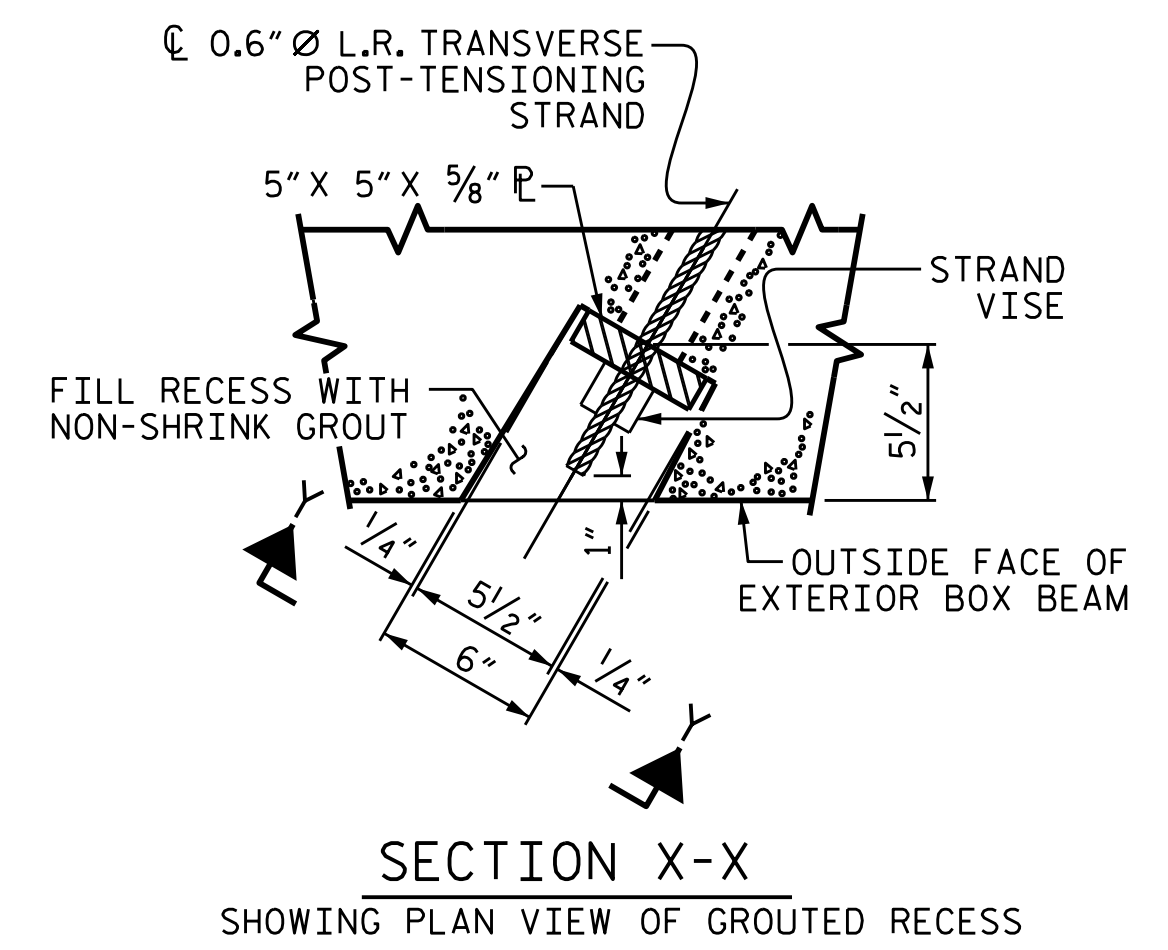
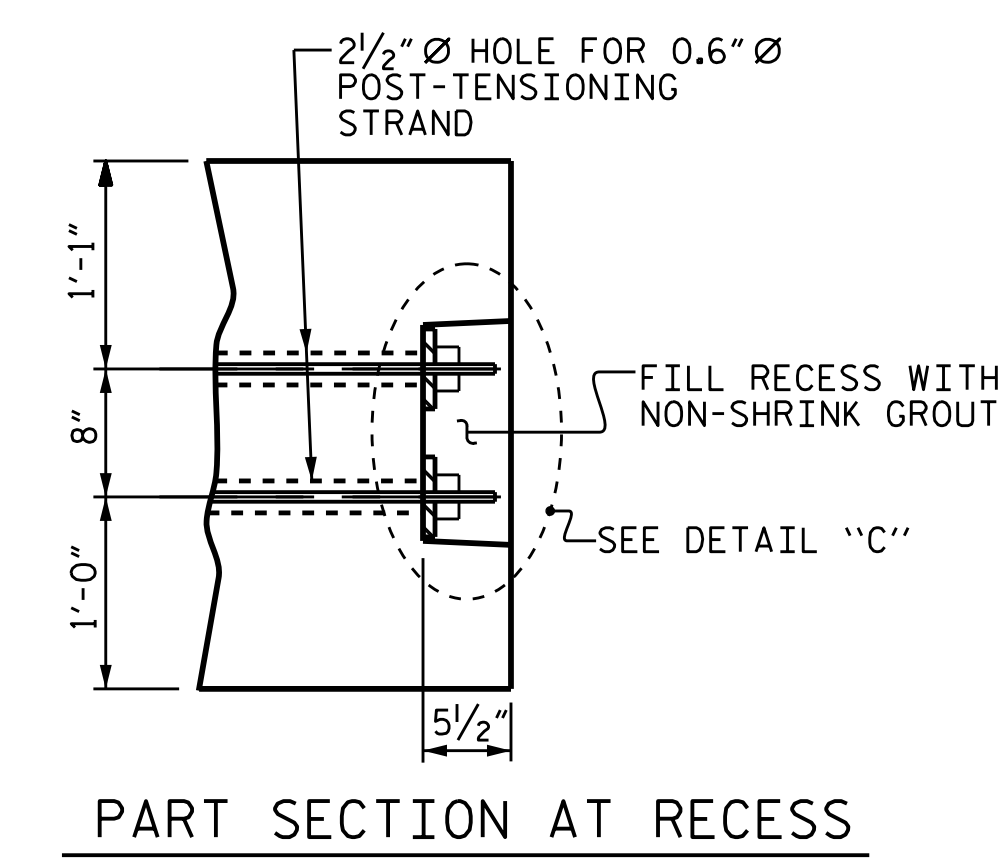
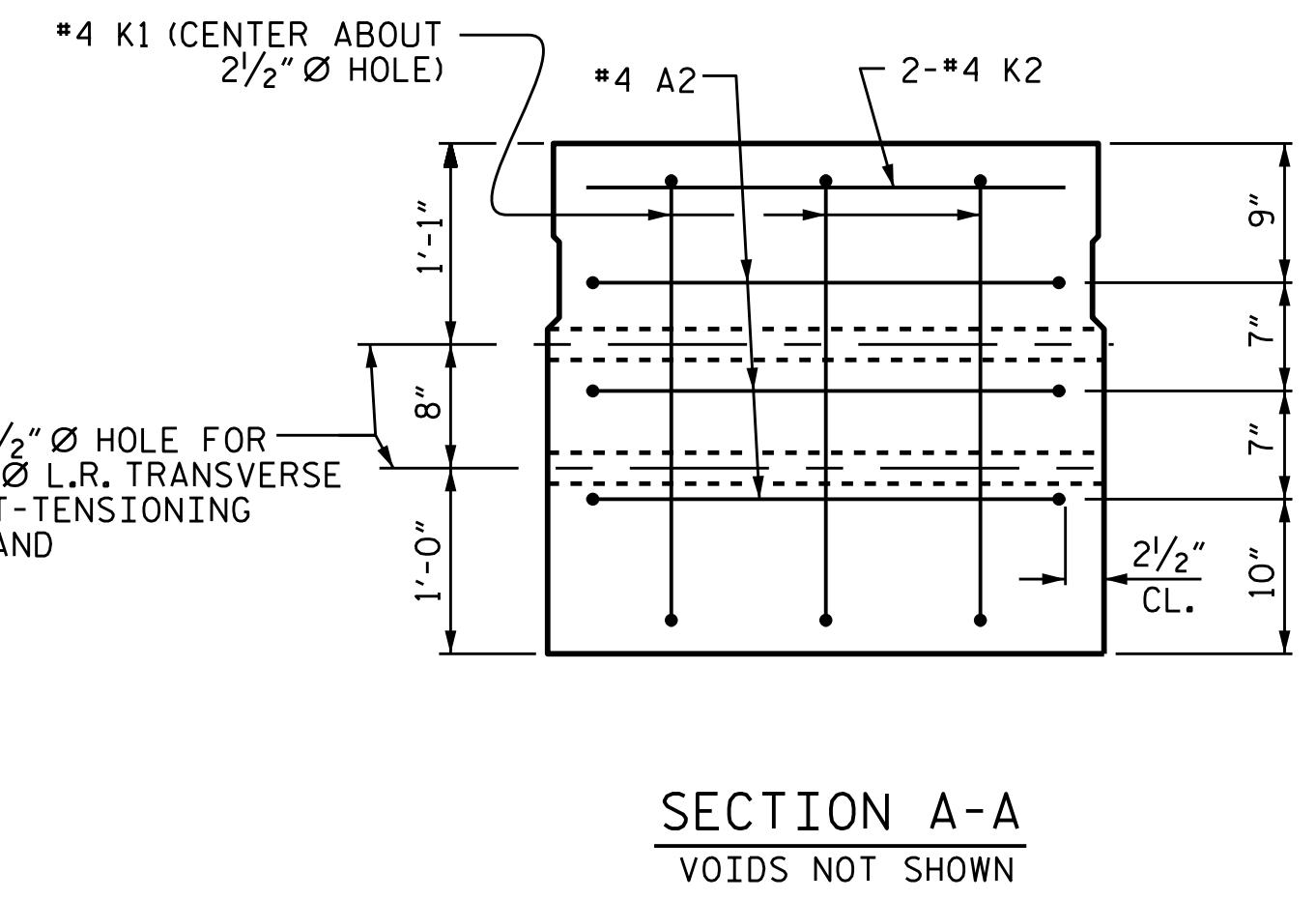
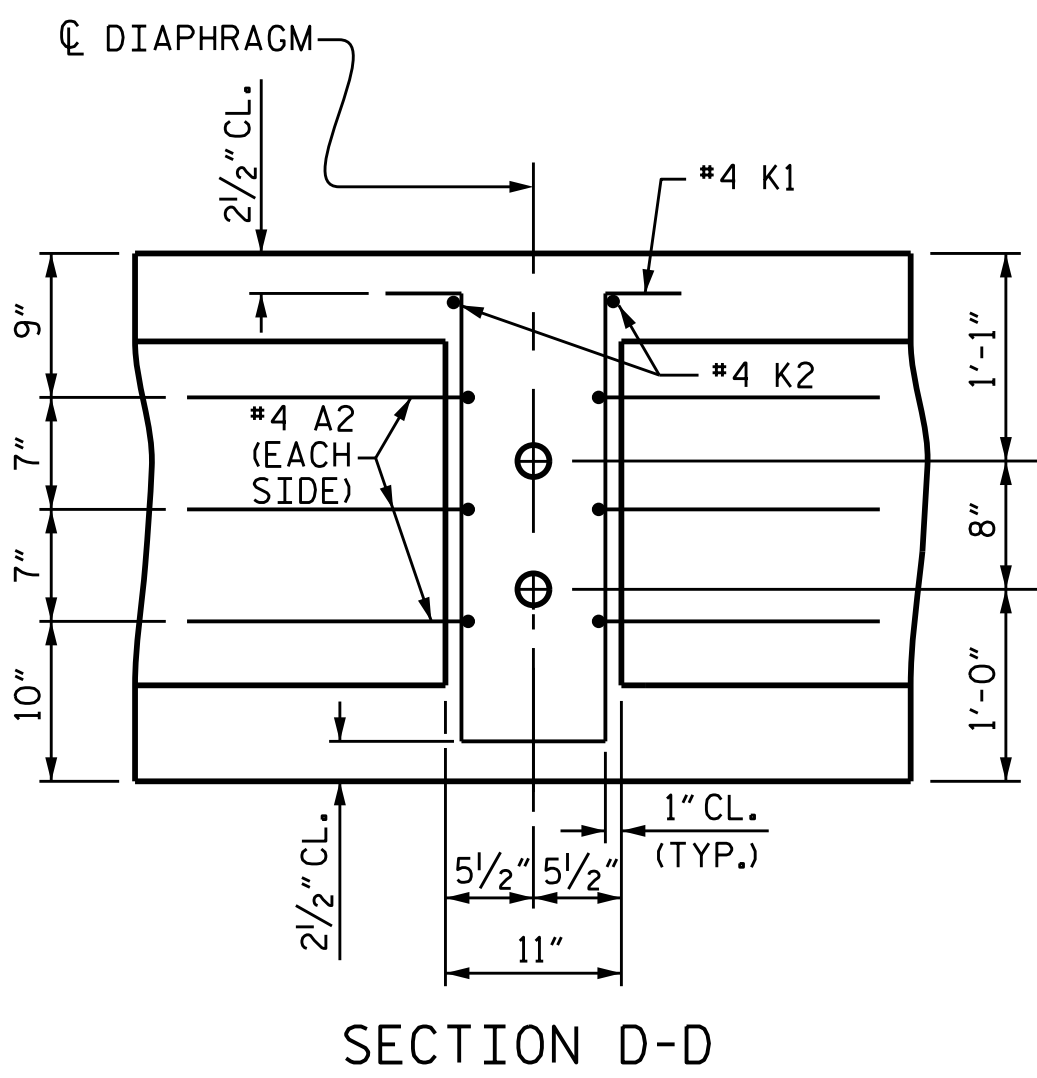


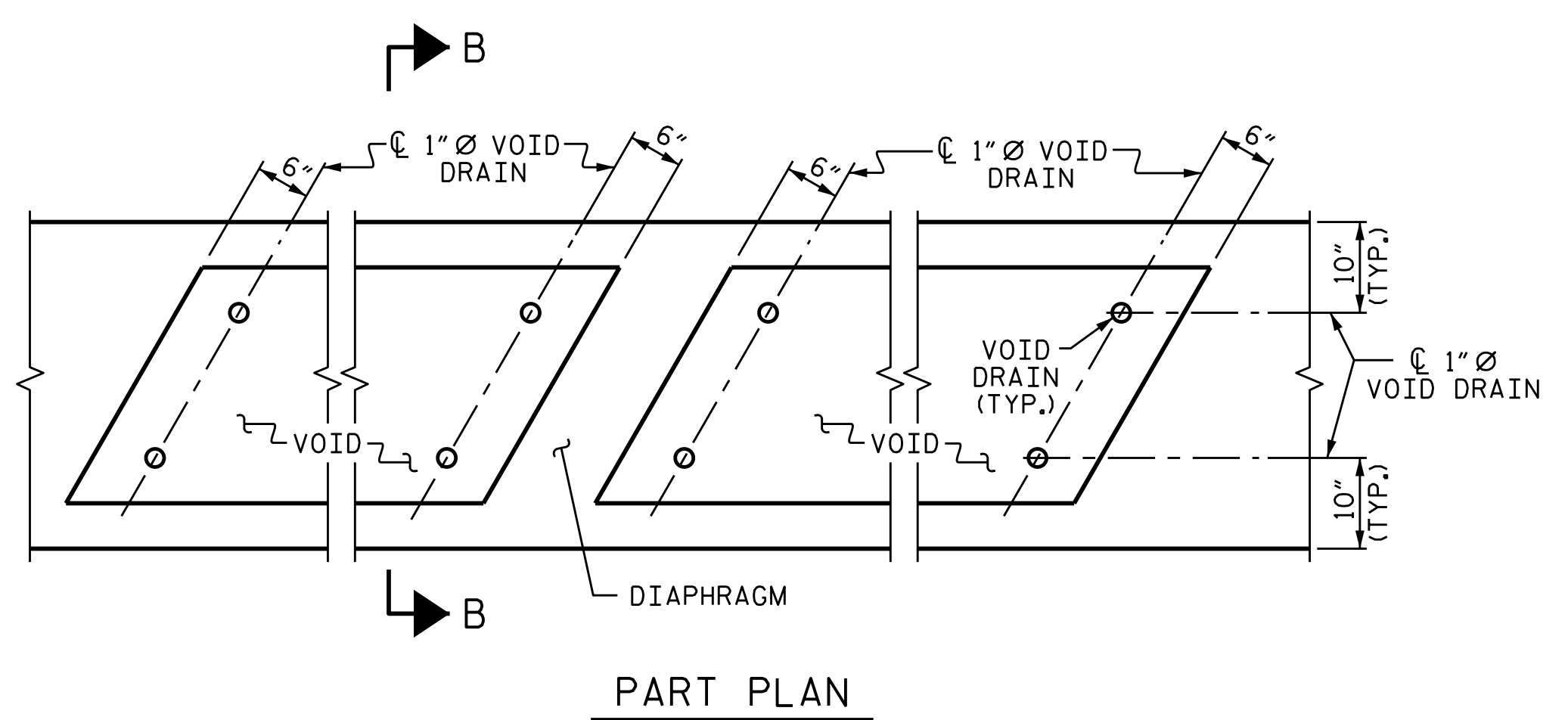
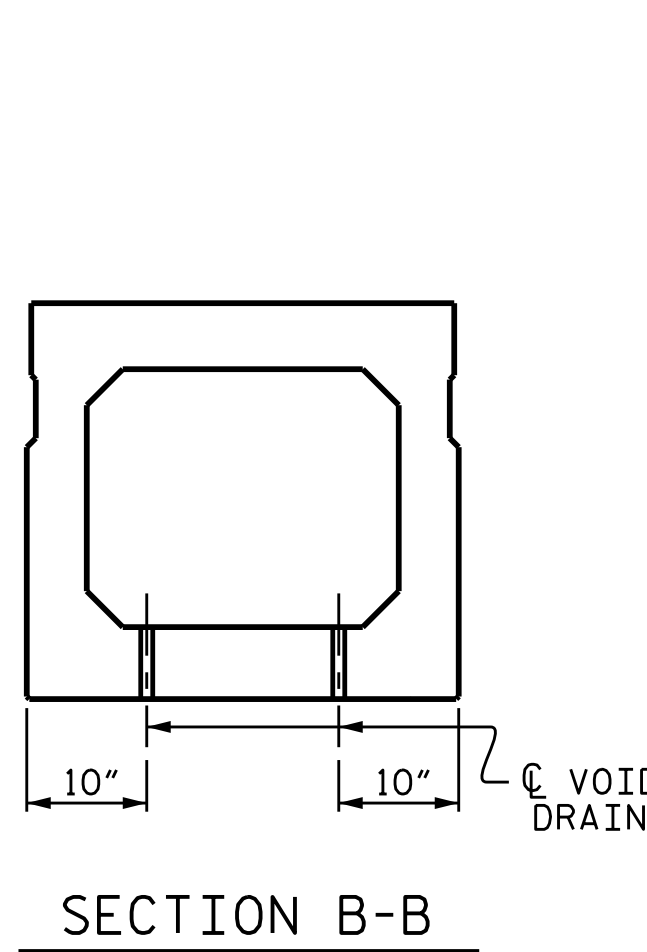
ELASTOMERIC BEARING DETAILS
ELASTOMER IN ALL BEARINGS SHALL BE 60 DUROMETER HARDNESS.



GROUTED RECESS DETAIL AT END OF POST-TENSIONED STRANDS OF EXTERIOR BOX BEAM

DOUBLE DIAPHRAGM DETAILS

#4 "S" BARS NOT SHOWN. #4 "S" BARS MAY BE SHIFTED SLIGHTLY TO CLEAR 2 1/2" Ø HOLE.



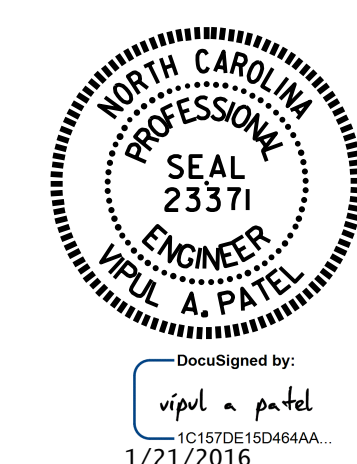
VOID DRAIN DETAILS
(DIMENSIONS SHOWN ARE TYPICAL FOR EACH VOID)

DEAD LOAD DEFLECTION AND CAMBER	
	3'-0" x 2'-9"
80' BOX BEAM UNIT	0.6" Ø L.R. STRAND
CAMBER (SLAB ALONE IN PLACE)	1 3/4" ↑
DEFLECTION DUE TO SUPERIMPOSED DEAD LOAD**	1/2" ↓
FINAL CAMBER	1 1/4" ↑

** INCLUDES FUTURE WEARING SURFACE

BOX BEAM UNITS REQUIRED			
	NUMBER	LENGTH	TOTAL LENGTH
EXTERIOR B.B.	2	80'-0"	160'-0"
INTERIOR B.B.	9	80'-0"	720'-0"
TOTAL	11		880'-0"

PROJECT NO. B-4751
GASTON COUNTY
STATION: 15+53.00 -L-
SHEET 4 OF 4



STATE OF NORTH CAROLINA
DEPARTMENT OF TRANSPORTATION
RALEIGH
STANDARD
3'-0" X 2'-9"
PRESTRESSED CONCRETE
BOX BEAM UNIT

REVISIONS						SHEET NO.
NO.	BY:	DATE:	NO.	BY:	DATE:	S-8
1			3			TOTAL SHEETS
2			4			19

ASSEMBLED BY: N.D. AIUTO DATE: 1/20/15
CHECKED BY: T.H. CARROLL DATE: 2/23/15
DRAWN BY: TLA 5/05
CHECKED BY: GM 6/05
ADDED 7/11/05
REV. 5/1/06
REV. 10/1/11
TLA/GM
MAA/GM

DOCUMENT NOT CONSIDERED FINAL UNLESS ALL SIGNATURES COMPLETED