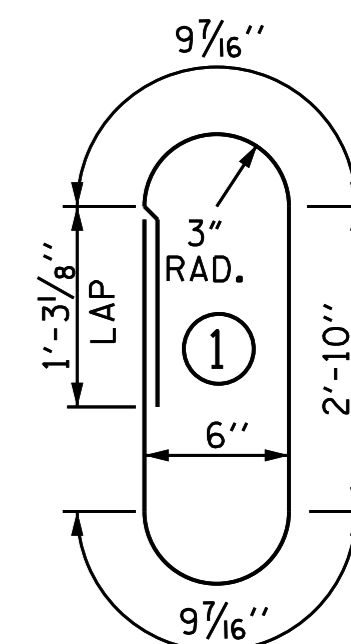


BAR TYPE



ALL BAR DIMENSIONS ARE OUT TO OUT

BILL OF MATERIAL

FOR CLASSIC BRIDGE RAILING ONLY

BAR	NO.	SIZE	TYPE	LENGTH	WEIGHT
*B2	4	#7	STR	29'-8"	243
*B3	4	#5	STR	29'-8"	124
*B6	8	#7	STR	21'-1"	345
*B7	8	#5	STR	21'-1"	176
*B8	4	#7	STR	21'-8"	177
*B9	4	#5	STR	21'-8"	90
*S4	256	#5	1	8'-6"	2270

* EPOXY COATED REINFORCING STEEL 3425 LBS.
 CLASS AA CONCRETE 17.8 CU. YDS.
 CLASSIC CONCRETE BRIDGE RAIL 190.25 LIN. FT.

BILL OF MATERIAL

FOR SIDEWALK ONLY

BAR	NO.	SIZE	TYPE	LENGTH	WEIGHT
*B4	12	#4	STR	29'-8"	238
*B5	36	#4	STR	22'-9"	547
*G1	190	#4	STR	6'-2"	783

* EPOXY COATED REINFORCING STEEL 1568 LBS.
 CLASS AA CONCRETE 46.4 CU. YDS.

PROJECT NO. B-5300
 BEAUFORT COUNTY
 STATION: 18+77.50 -L-

SHEET 4 OF 4

STATE OF NORTH CAROLINA
 DEPARTMENT OF TRANSPORTATION
 RALEIGH

CLASSIC CONCRETE
 BRIDGE RAIL AND
 SIDEWALK

DocuSigned by:
 A. Keith Paschal
 F886AD9D82FC48F...

1/19/2016



DRAWN BY: P.N.HOLDER DATE: 08/15
 CHECKED BY: K.P.SEDAI DATE: 08/15
 DESIGN ENGINEER OF RECORD: P.N.HOLDER DATE: 09/15

DOCUMENT NOT CONSIDERED
 FINAL UNLESS ALL
 SIGNATURES COMPLETED

REVISIONS						SHEET NO. 5-15
NO.	BY:	DATE:	NO.	BY:	DATE:	
1			3			TOTAL SHEETS 30
2			4			