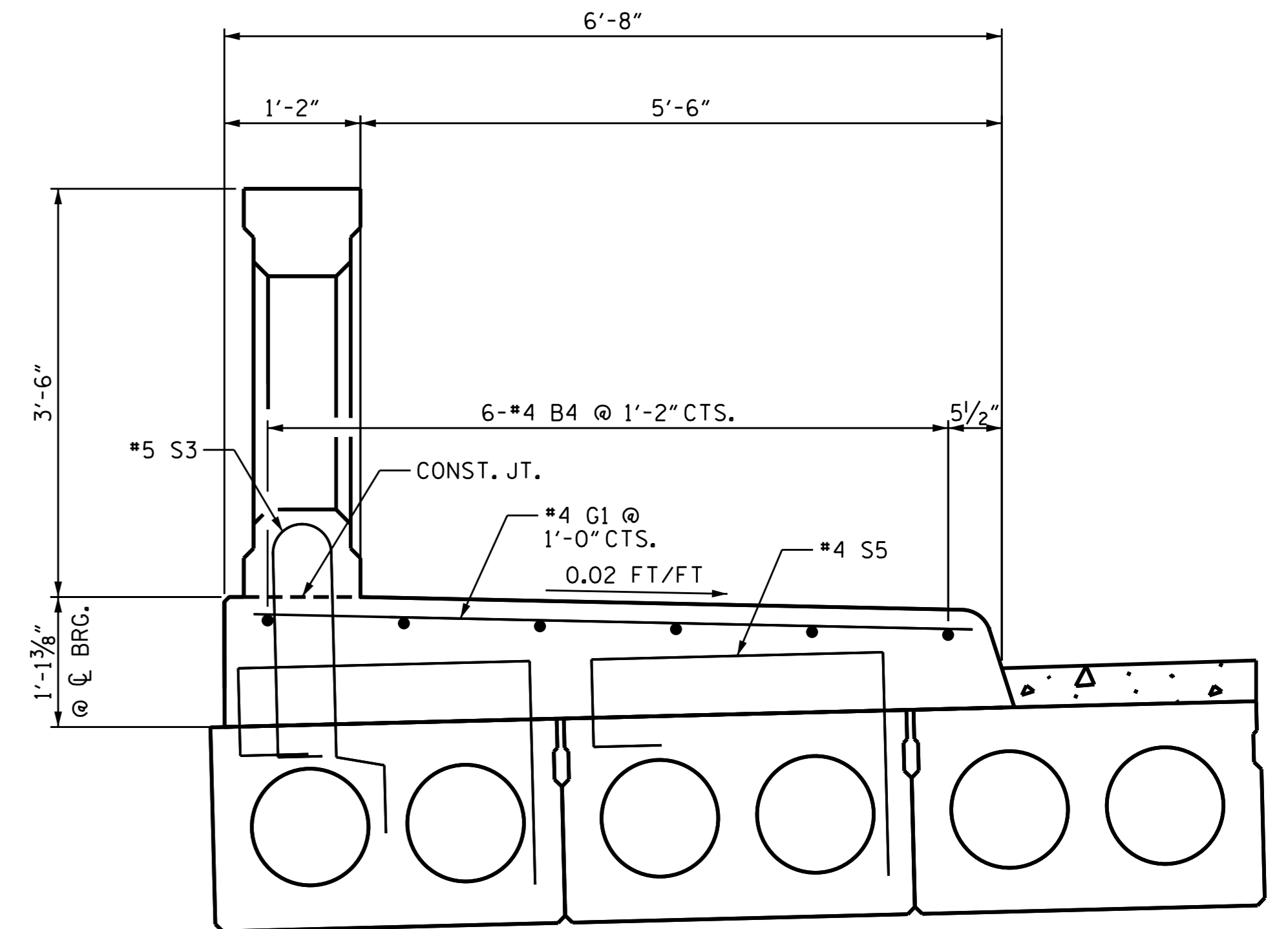
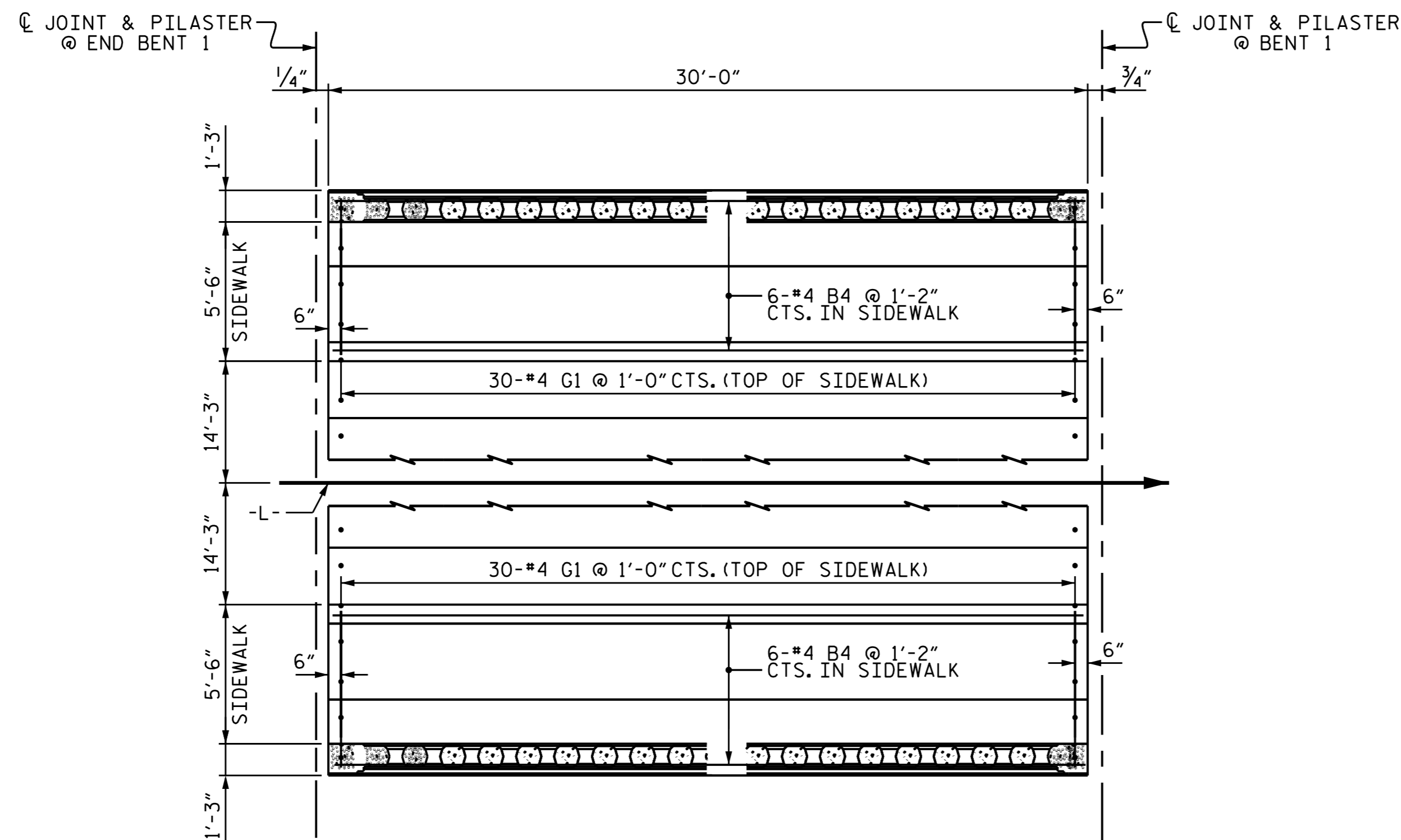


REINFORCING PLACEMENT- SPAN "A"



SIDEWALK DETAIL

(TYP. EACH SPAN)
(LEFT SIDE SHOWN)



PLAN - SPAN "A"

PROJECT NO. B-5300
BEAUFORT COUNTY
 STATION: 18+77.50 -L-

SHEET 3 OF 4

DocuSigned by:
 A. Keith Paschal
 F886AD0E02FC48F...
 1/19/2016



STATE OF NORTH CAROLINA
 DEPARTMENT OF TRANSPORTATION
 RALEIGH

CLASSIC CONCRETE
 BRIDGE RAIL AND
 SIDEWALK

DRAWN BY : P.N.HOLDER DATE : 08/15
 CHECKED BY : K.P.SEDAI DATE : 08/15
 DESIGN ENGINEER OF RECORD: P.N.HOLDER DATE : 09/15

DOCUMENT NOT CONSIDERED
 FINAL UNLESS ALL
 SIGNATURES COMPLETED

REVISIONS						SHEET NO. S-14
NO.	BY:	DATE:	NO.	BY:	DATE:	
1			3			TOTAL SHEETS 30
2			4			