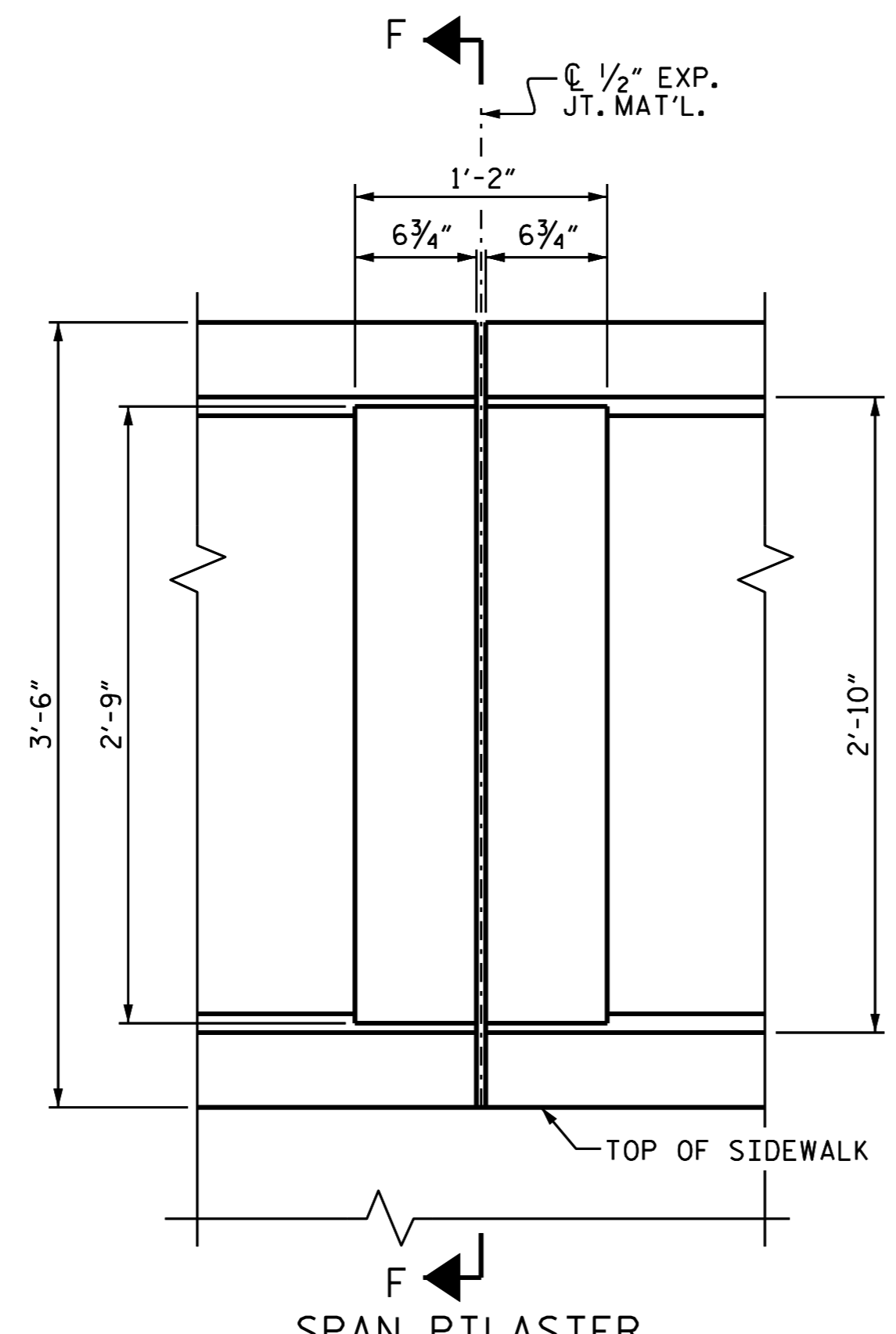
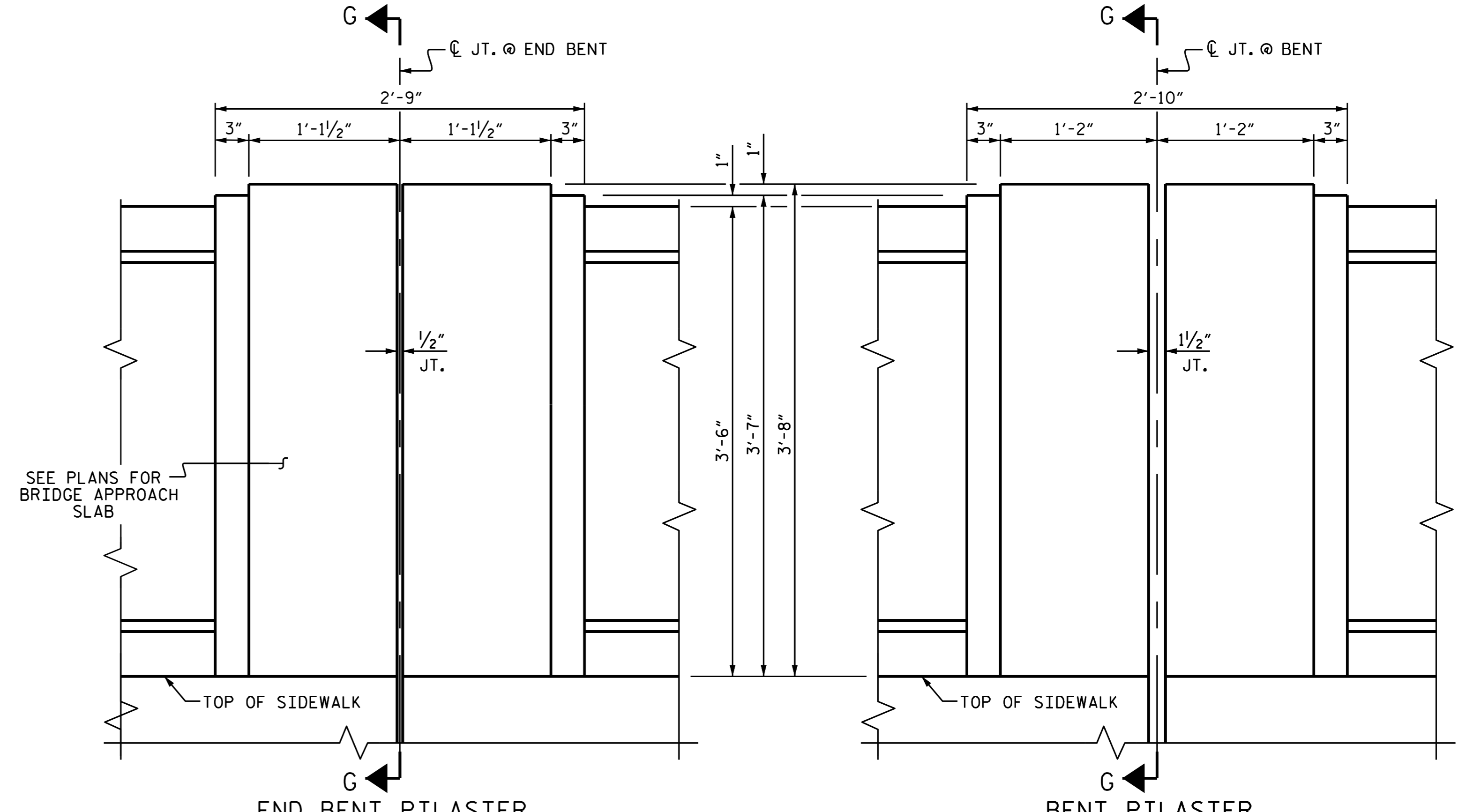


WINDOW DETAIL



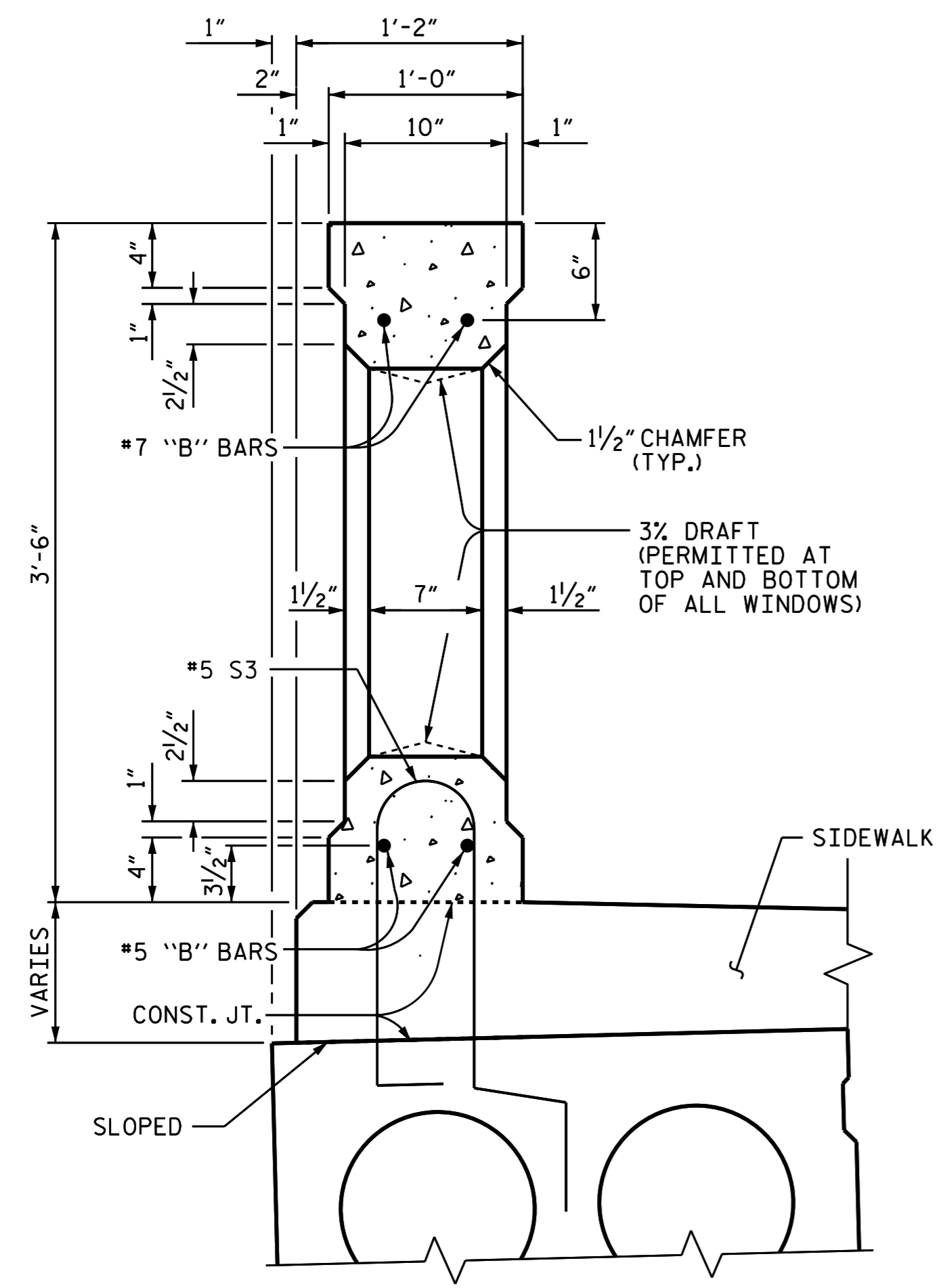
SPAN PILASTER



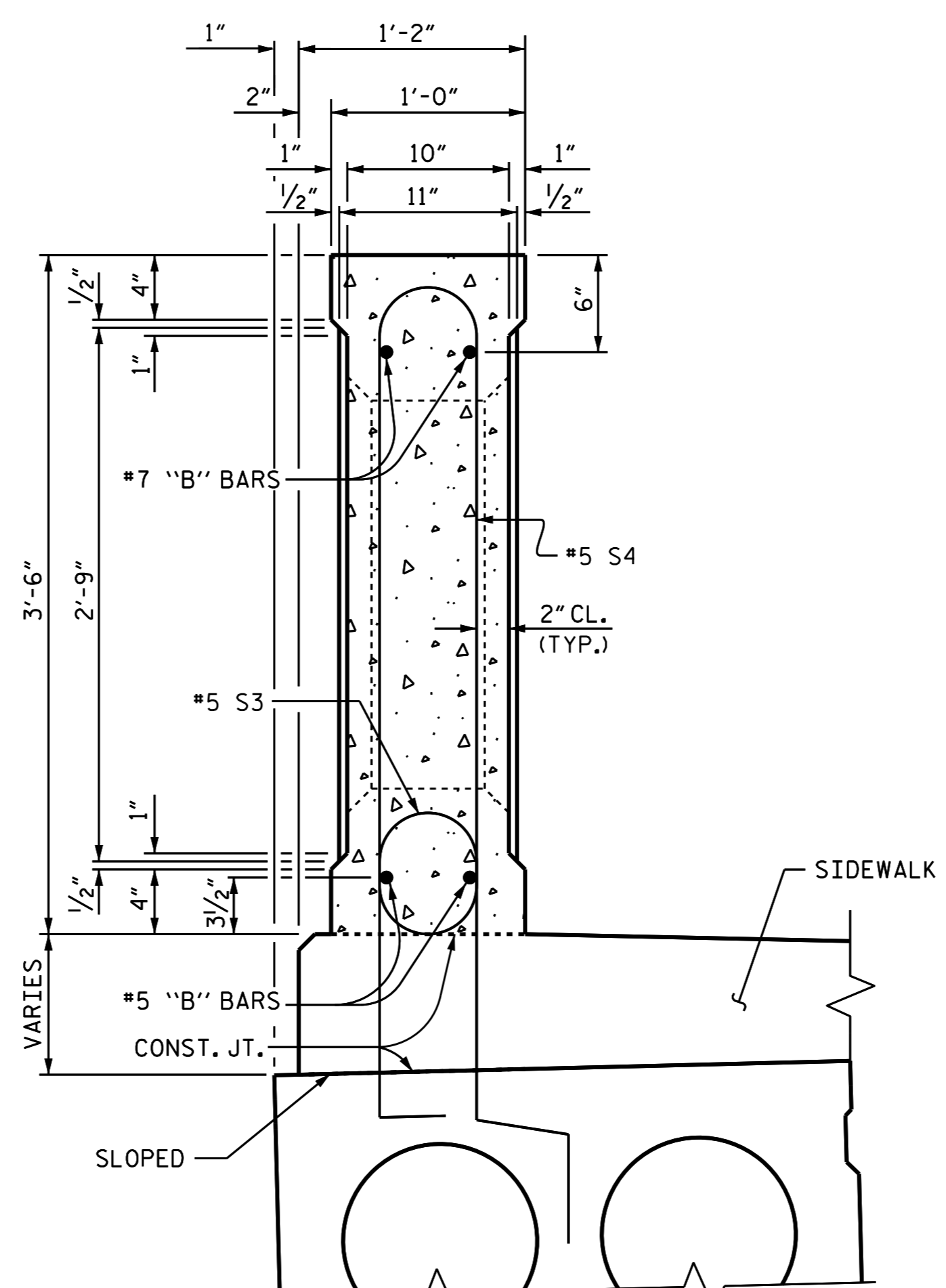
END BENT PILASTER

BENT PILASTER

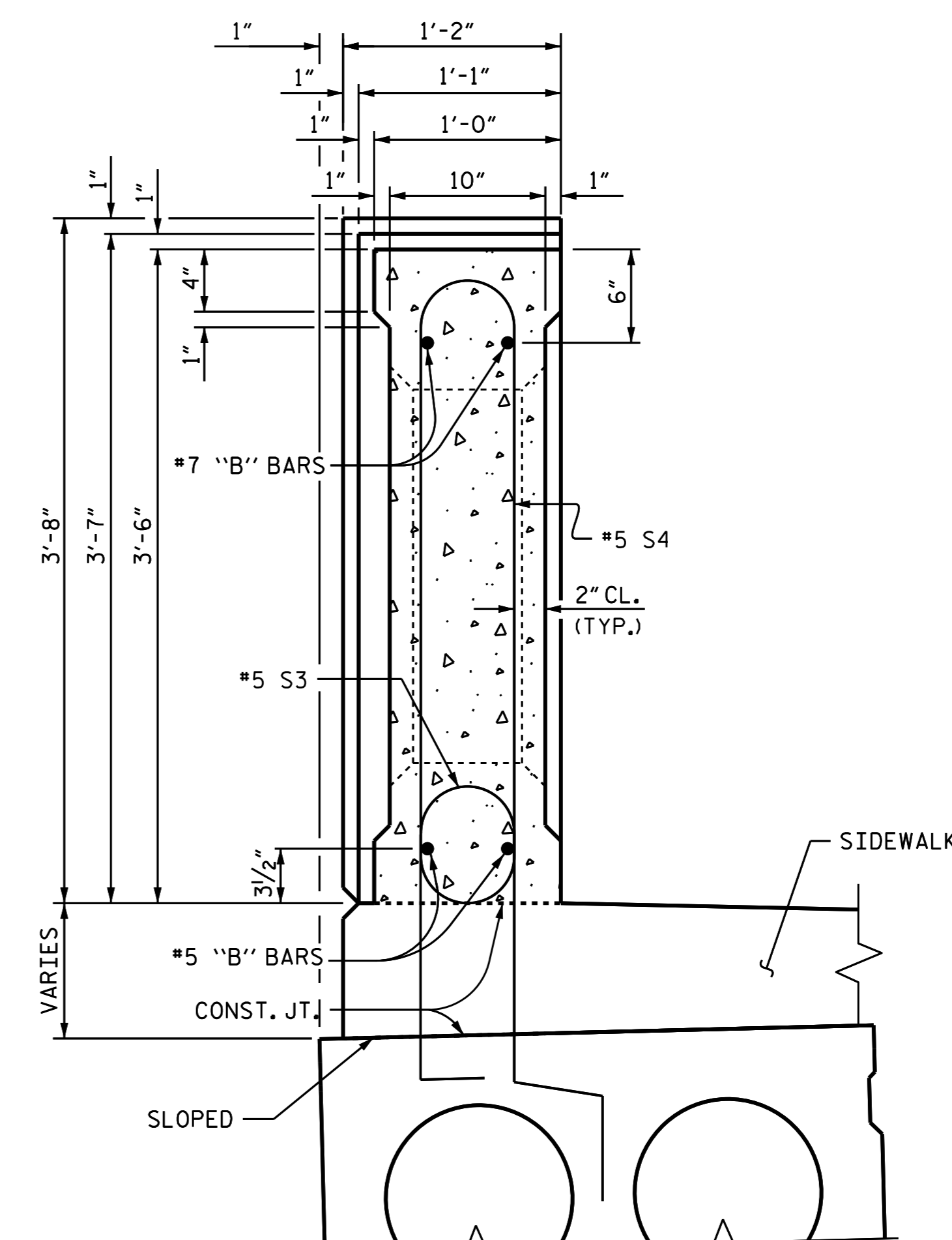
EXTERIOR PILASTER ELEVATIONS



SECTION E-E
(SHOWING WINDOW OF RAIL)



SECTION F-F
(SHOWING SPAN PILASTER)



SECTION G-G
(SHOWING END BENT & BENT PILASTER)

DocuSigned by:
A. Keith Paschal
F8BA0DE82FC48F...

1/19/2016



DOCUMENT NOT CONSIDERED
FINAL UNLESS ALL
SIGNATURES COMPLETED

PROJECT NO. B-5300
BEAUFORT COUNTY
STATION: 18+77.50 -L-

SHEET 2 OF 4

STATE OF NORTH CAROLINA DEPARTMENT OF TRANSPORTATION RALEIGH					
CLASSIC CONCRETE BRIDGE RAIL AND SIDEWALK					
REVISIONS					
NO.	BY:	DATE:	NO.	BY:	DATE:
1			3		
2			4		
					SHEET NO. S-13 TOTAL SHEETS 30

DRAWN BY: P.N.HOLDER DATE: 08/15
CHECKED BY: K.P.SEDAI DATE: 08/15
DESIGN ENGINEER OF RECORD: P.N.HOLDER DATE: 09/15