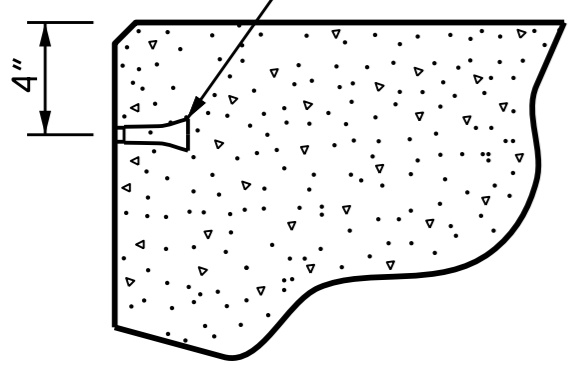


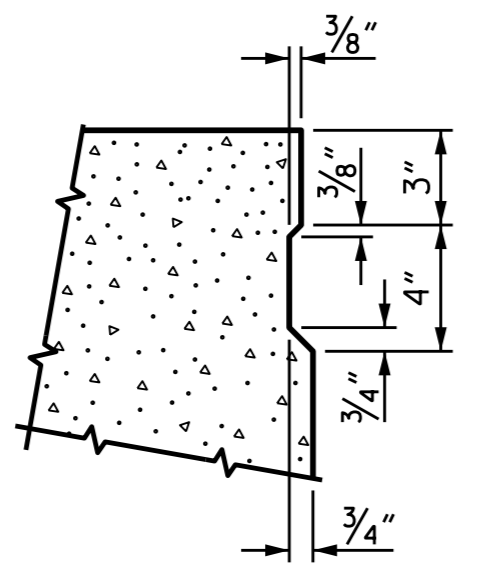
HALF SECTION AT INTERMEDIATE DIAPHRAGMS  
 TYPICAL SECTION  
 HALF SECTION THROUGH VOIDS

\* - THE MINIMUM & MAXIMUM CLASSIC RAIL HEIGHT AND CONCRETE WEARING SURFACE THICKNESS IS SHOWN. THE HEIGHT OF THE CLASSIC RAIL, SIDEWALK AND THE CONCRETE WEARING SURFACE THICKNESS VARIES WHILE THE TOP OF THE CLASSIC RAIL FOLLOWS THE PROFILE OF THE GUTTERLINE.

PERMITTED THREADED INSERT CAST IN OUTSIDE FACE OF EXTERIOR UNIT AND RECESSED 3/8" SIZE TO BE DETERMINED BY CONTRACTOR.

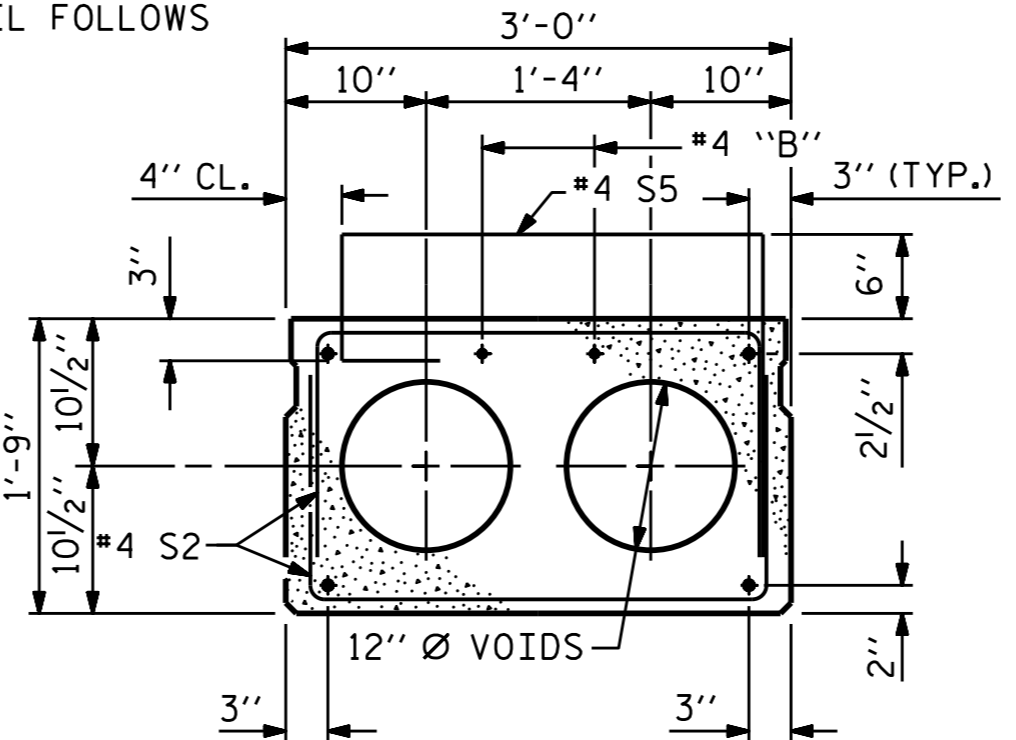


THREADED INSERT DETAIL



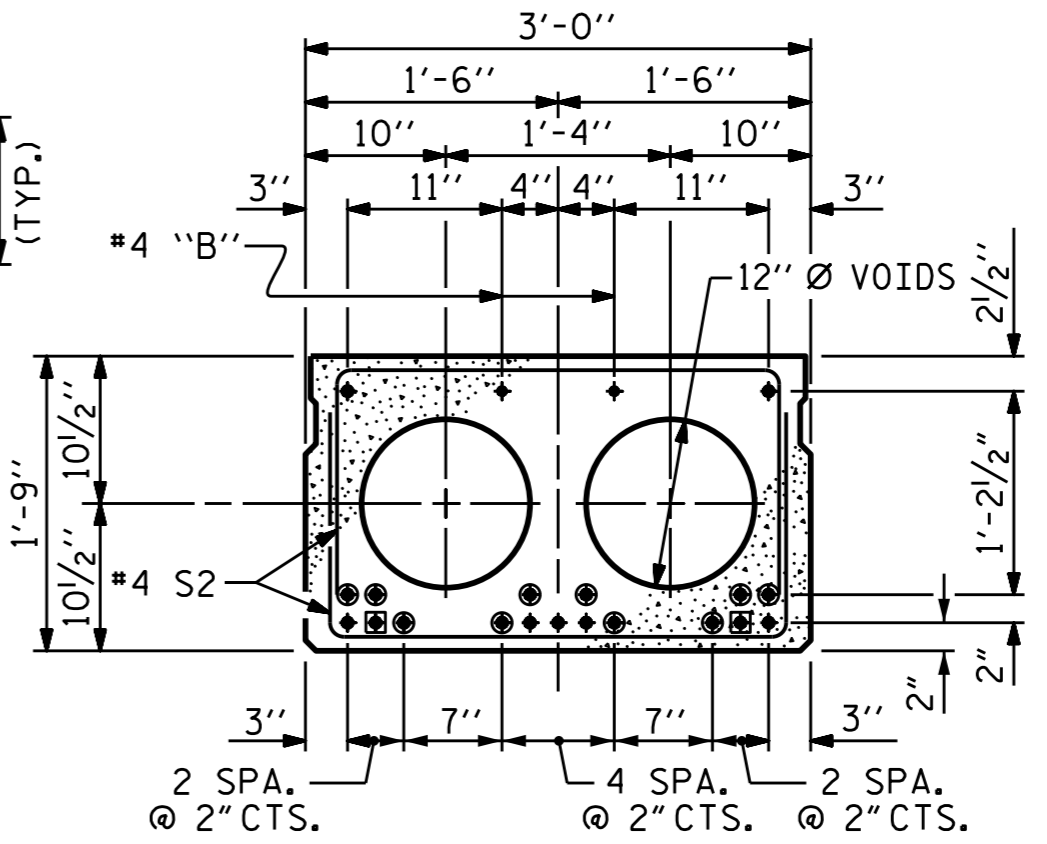
SHEAR KEY DETAIL

NOTE: OMIT SHEAR KEY ON OUTSIDE FACE OF EXTERIOR CORED SLABS.



TYPE II SLAB SECTION

(FOR PRESTRESSED STRAND LAYOUT, SEE TYPE I (SPAN A) SLAB SECTION.)



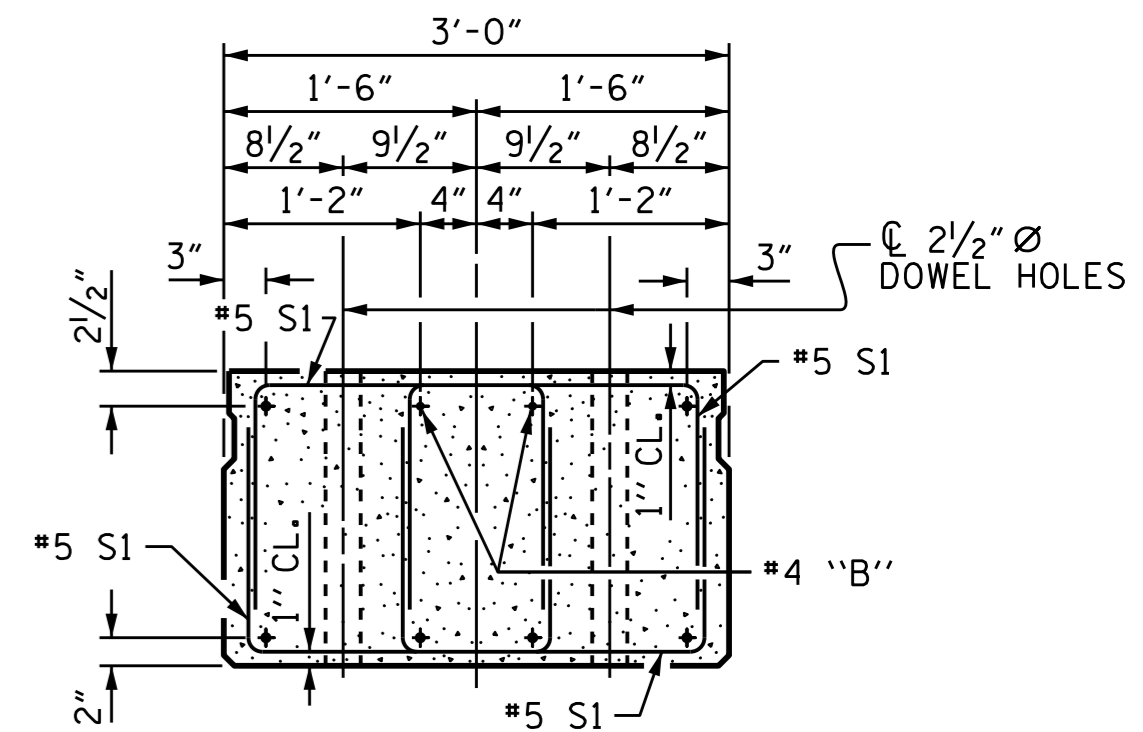
TYPE I SLAB SECTION (30' UNIT) (SPAN A)

(9 STRANDS REQUIRED)

- BOND SHALL BE BROKEN ON THESE STRANDS FOR A DISTANCE OF 2'-0" FROM END OF CORED SLAB UNIT. SEE STANDARD SPECIFICATIONS, ARTICLE 1078-7.
- OPTIONAL FULL LENGTH DEBONDED STRANDS. THESE STRANDS ARE NOT REQUIRED. IF THE FABRICATOR CHOOSES TO INCLUDE THESE STRANDS IN THE CORED SLAB UNIT, THE STRANDS SHALL BE DEBONDED FOR THE FULL LENGTH OF THE UNIT AT NO ADDITIONAL COST. SEE STANDARD SPECIFICATIONS, ARTICLE 1078-7.

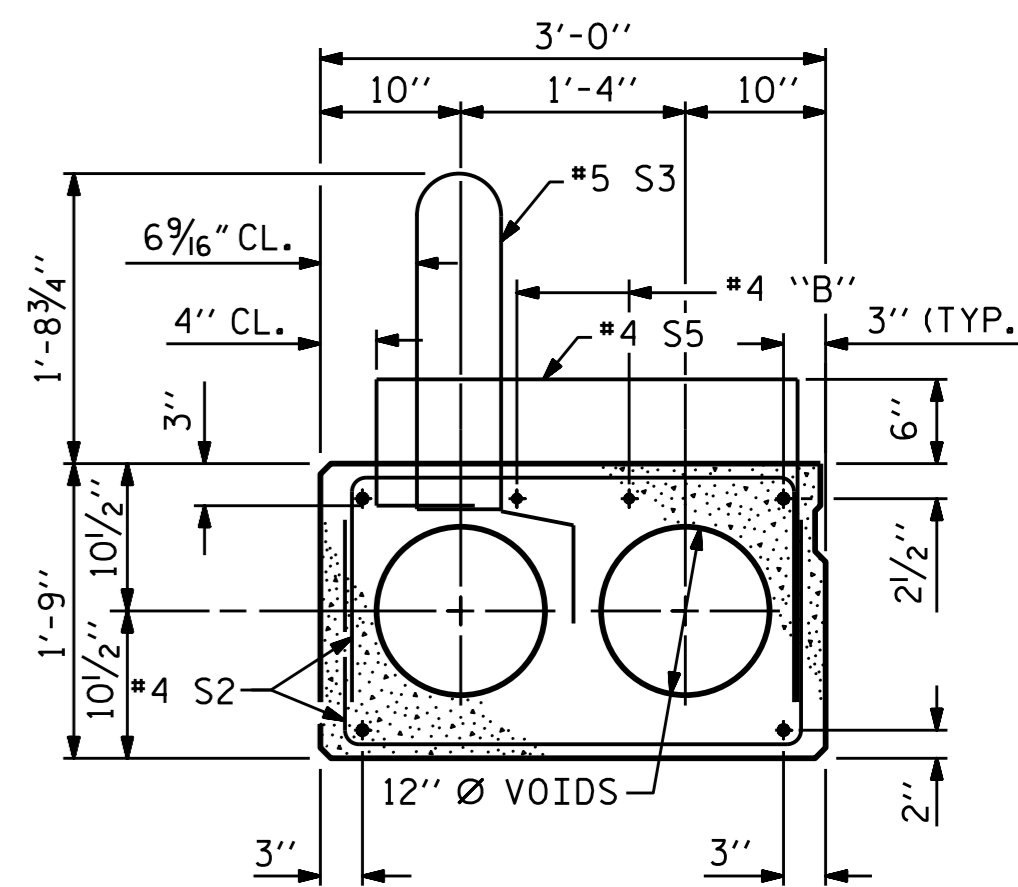
DEBONDING LEGEND

0.6" Ø LOW RELAXATION STRAND LAYOUT



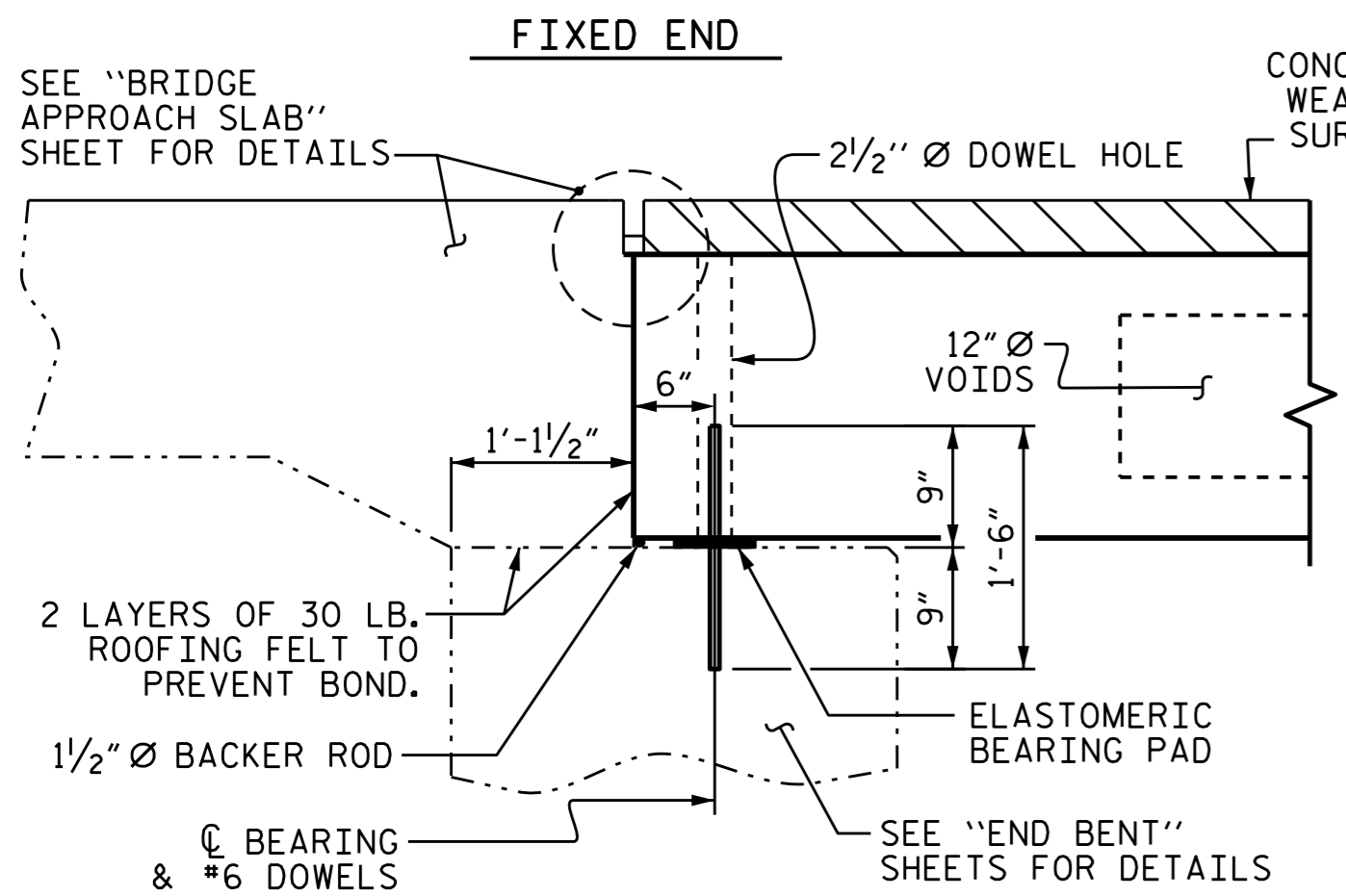
END ELEVATION

SHOWING PLACEMENT OF DOUBLE STIRRUPS AND LOCATION OF DOWEL HOLES. (STRAND LAYOUT NOT SHOWN.) INTERIOR SLAB UNIT SHOWN-EXTERIOR SLAB UNIT SIMILAR EXCEPT SHEAR KEY LOCATION.

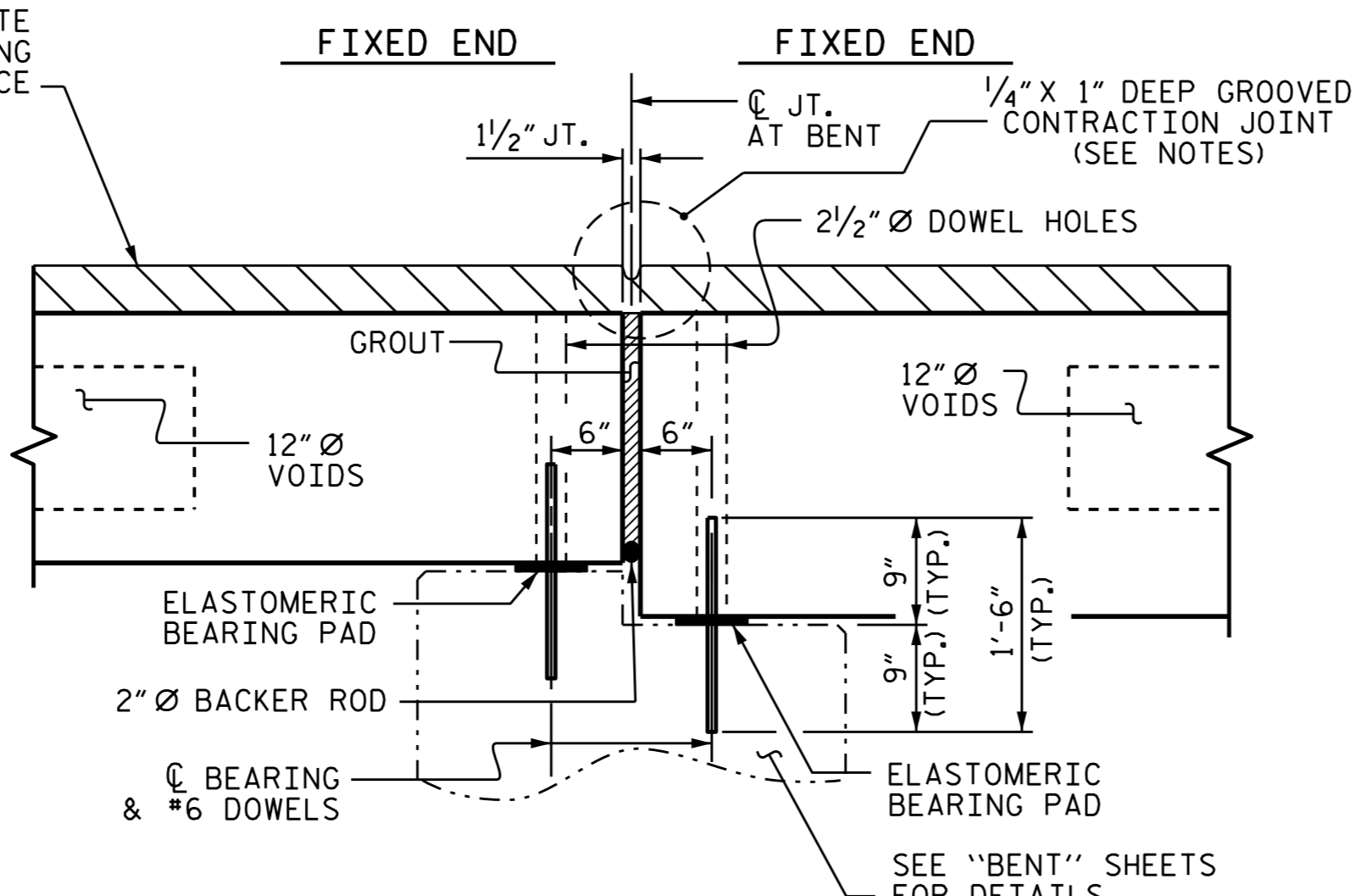


TYPE III SLAB SECTION

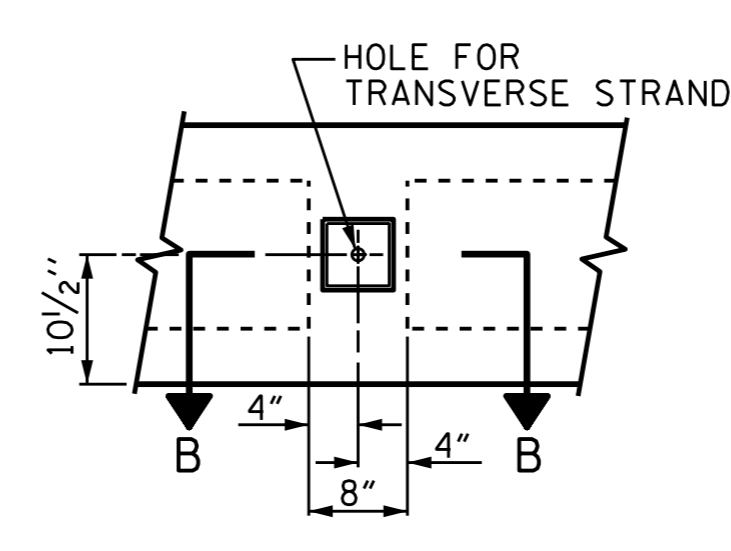
(FOR PRESTRESSED STRAND LAYOUT, SEE TYPE I (SPAN A) SLAB SECTION.)



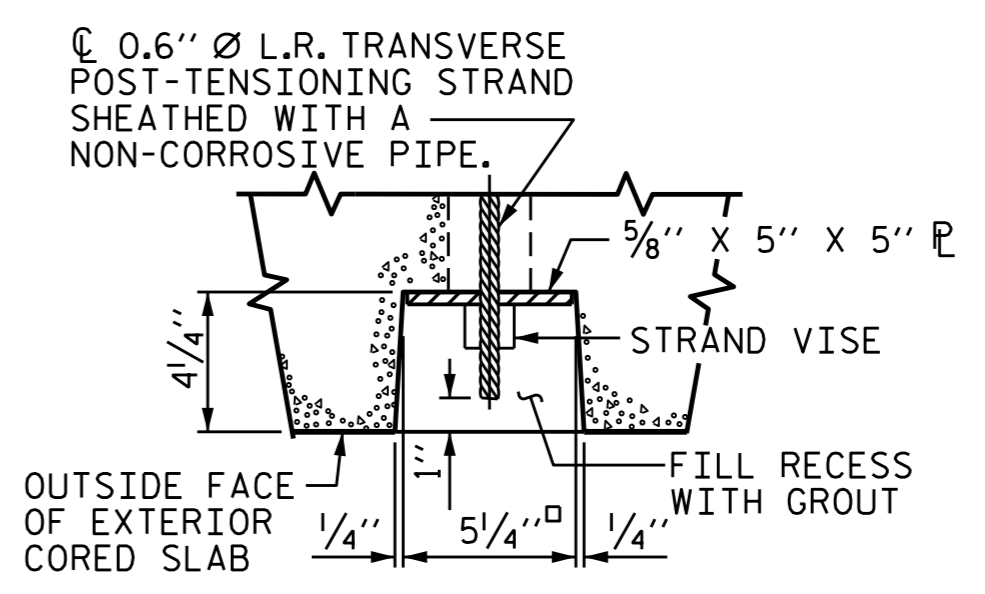
SECTION AT END BENT 1



SECTION AT BENT 1



ELEVATION VIEW



SECTION B-B

GRouted RECESS AT END OF POST-TENSIONED STRAND OF CORED SLABS

DocuSigned by:  
 A. Keith Paschal  
 F886AD8D2FC48F...  
 1/19/2016

PROJECT NO. B-5300  
 BEAUFORT COUNTY  
 STATION: 18+77.50 -L-

SHEET 1 OF 7

STATE OF NORTH CAROLINA  
 DEPARTMENT OF TRANSPORTATION  
 RALEIGH

3'-0" X 1'-9"  
 PRESTRESSED CONCRETE  
 CORED SLAB UNIT  
 SPAN A

|                            |            |        |         |
|----------------------------|------------|--------|---------|
| ASSEMBLED BY :             | P.N.HOLDER | DATE : | 07/15   |
| CHECKED BY :               | K.P.SEDAI  | DATE : | 8/14/15 |
| DESIGN ENGINEER OF RECORD: | P.N.HOLDER | DATE : | 11/5/15 |

| REVISIONS |     |       |     |     |       | SHEET NO.<br>S-5   |
|-----------|-----|-------|-----|-----|-------|--------------------|
| NO.       | BY: | DATE: | NO. | BY: | DATE: |                    |
| 1         |     |       | 3   |     |       | TOTAL SHEETS<br>30 |
| 2         |     |       | 4   |     |       |                    |

DOCUMENT NOT CONSIDERED FINAL UNLESS ALL SIGNATURES COMPLETED