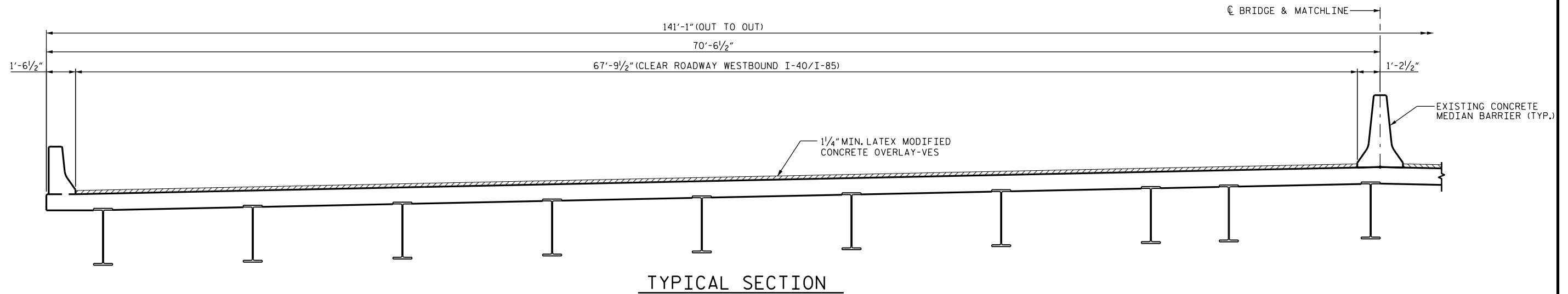


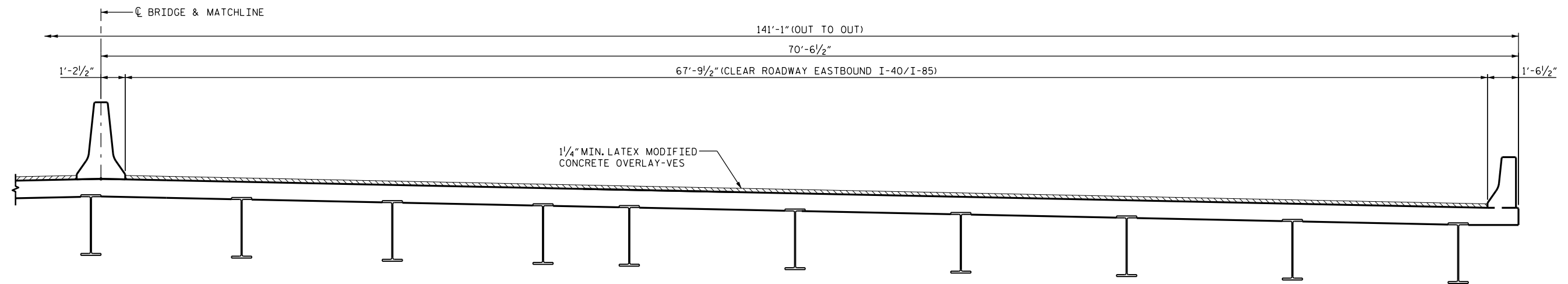
NOTE:

WHEN PREPARING THE SURFACE FOR LMC OVERLAY-VES ADJACENT TO A PREVIOUSLY PLACED LMC-VES STAGE, THE PREVIOUSLY PLACED LMC-VES SHALL BE REMOVED FOR A DISTANCE OF 4-INCHES FROM THE LMC-VES EDGE. THE SURFACE OF THE NEW STAGE AREA, ALONG WITH THE 4 INCH OVERLAY AREA, SHALL BE PREPARED AS PER THE OVERLAY SURFACE PREPARATION SPECIAL PROVISIONS. NEW LMC-VES SHALL BE PLACED IN THE 4-INCH OVERLAP, AS PART OF NEW LMC-VES STAGE PLACEMENT.

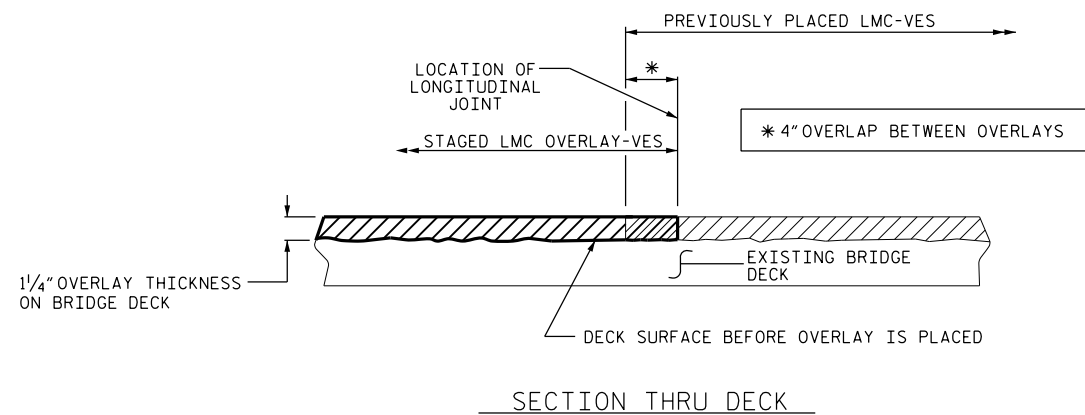
SEE TRAFFIC MANAGEMENT PLANS FOR LANE WIDTHS, SEQUENCING, AND OTHER TRAFFIC CONTROL MEASURES FOR STAGING OF OVERLAY SURFACE PREPARATION AND LMC-VES PLACEMENT.



TYPICAL SECTION



TYPICAL SECTION



SECTION THRU DECK
STAGED LMC OVERLAY-VES JOINT
(AS NEEDED)

PROJECT NO. I-5309
ALAMANCE COUNTY
BRIDGE NO. 76

DocuSigned by:
Farzin Asefina
E06BC400C8A045A
STATE OF NORTH CAROLINA
PROFESSIONAL
SEAL
20103
ENGINEER
FARZIN ASEFINA

STATE OF NORTH CAROLINA
DEPARTMENT OF TRANSPORTATION
RALEIGH
SUPERSTRUCTURE
TYPICAL SECTION
& LATEX MODIFIED
CONCRETE-VES DETAILS

| REVISIONS | | | | | | SHEET NO. | |
|-----------|-----|-------|-----|-----|-------|--------------|--|
| NO. | BY: | DATE: | NO. | BY: | DATE: | S-3 | |
| 1 | | | 3 | | | TOTAL SHEETS | |
| 2 | | | 4 | | | 15 | |

DRAWN BY: D.V. JOYNER DATE: 9/2015
CHECKED BY: W. SMITH DATE: 10/2015

1/14/2016