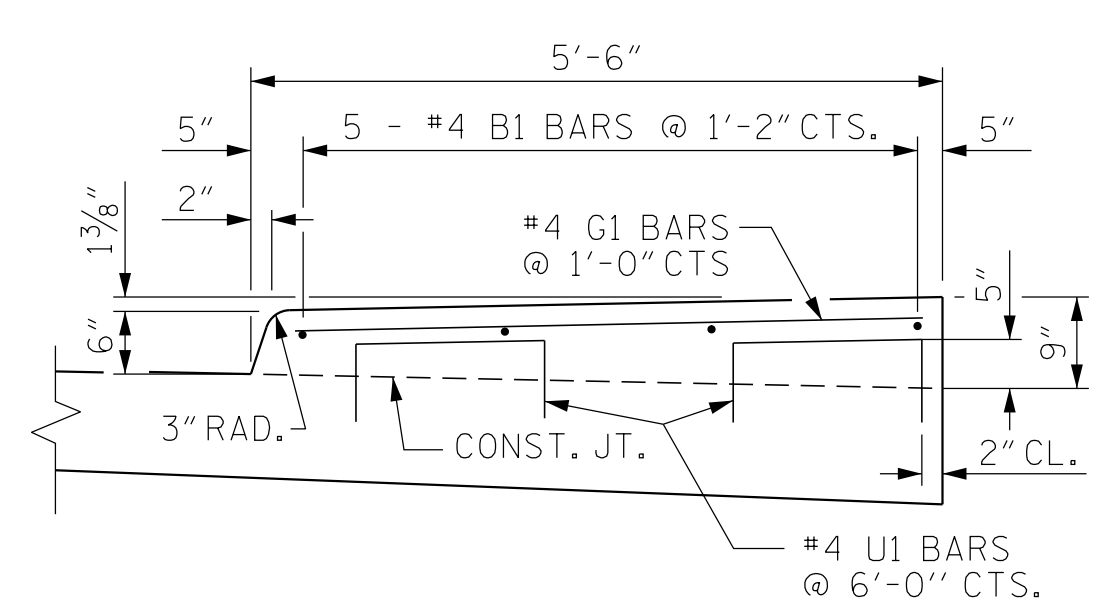
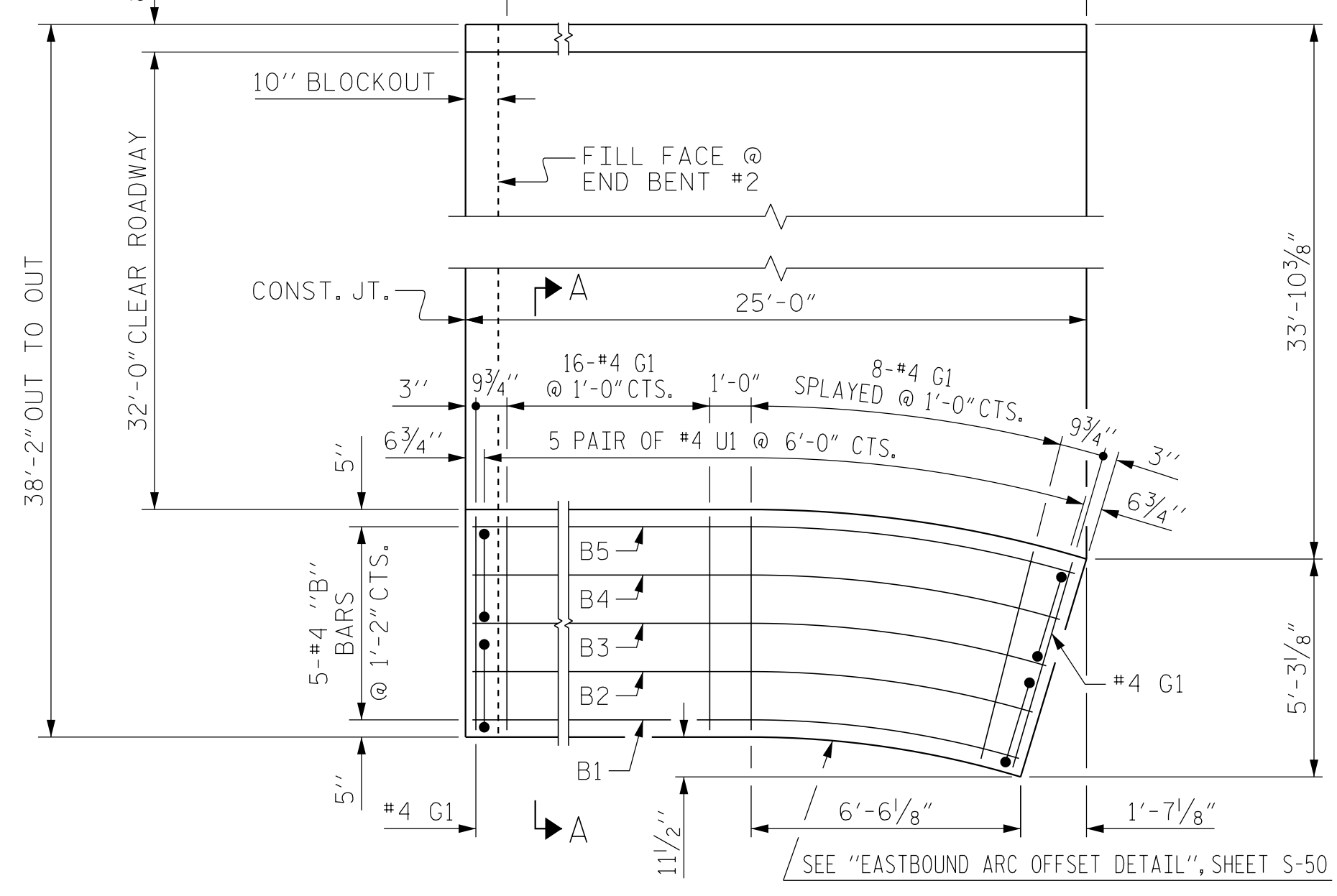


PLAN @ END BENT #1
DIMENSIONS SHOWN ABOVE ARE TYPICAL FOR BOTH APPROACH SLABS AT END BENT #1



SECTION A-A



PLAN @ END BENT #2

BAR TYPES

BAR NO.	SIZE	TYPE	LENGTH	WEIGHT	
* B51	5	#4	STR	24'-8"	83
* G1	26	#4	STR	5'-0"	87
* U1	10	#4	1	3'-6"	24

* EPOXY COATED REINFORCING STEEL LBS. 194

CLASS AA CONCRETE C. Y. 3.3

ALL BAR DIMENSIONS ARE OUT TO OUT.

BILL OF MATERIAL

FOR ONE APPROACH SLAB SIDEWALK AT END BENT 1 (2 REQ'D)

BAR NO.	SIZE	TYPE	LENGTH	WEIGHT	
* B51	5	#4	STR	24'-8"	83
* G1	26	#4	STR	5'-0"	87
* U1	10	#4	1	3'-6"	24

* EPOXY COATED REINFORCING STEEL LBS. 194

CLASS AA CONCRETE C. Y. 3.3

BILL OF MATERIAL

FOR WESTBOUND APPROACH SLAB SIDEWALK AT END BENT 2 (1 REQ'D)

BAR NO.	SIZE	TYPE	LENGTH	WEIGHT	
* B52	1	#4	STR	22'-8"	16
* B53	1	#4	STR	23'-5"	16
* B54	1	#4	STR	24'-2"	17
* B55	1	#4	STR	25'-0"	17
* B56	1	#4	STR	25'-10"	18
* G1	27	#4	STR	5'-0"	91
* U1	10	#4	1	3'-6"	24

* EPOXY COATED REINFORCING STEEL LBS. 199

CLASS AA CONCRETE C. Y. 3.3

BILL OF MATERIAL

FOR EASTBOUND APPROACH SLAB SIDEWALK AT END BENT 2 (1 REQ'D)

BAR NO.	SIZE	TYPE	LENGTH	WEIGHT	
* B57	1	#4	STR	23'-3"	16
* B58	1	#4	STR	23'-7"	16
* B59	1	#4	STR	23'-11"	16
* B60	1	#4	STR	24'-3"	17
* B61	1	#4	STR	24'-8"	17
* G1	26	#4	STR	5'-0"	87
* U1	10	#4	1	3'-6"	24

* EPOXY COATED REINFORCING STEEL LBS. 193

CLASS AA CONCRETE C. Y. 3.2

NOTES

- SIDEWALK ON APPROACH SLAB SHALL BE PAID FOR IN BRIDGE APPROACH SLAB PAY ITEM.
- THE #4 U1 BARS MAY BE PUSHED INTO GREEN CONCRETE AFTER THE APPROACH SLAB HAS BEEN FINISHED.
- THE #4 "B" BARS FOR THE APPROACH SIDEWALKS ON THE APPROACH SLABS AT END BENT #2 SHALL BE FIELD BENT TO ACHIEVE REQUIRED RADIUS.

PROJECT NO. R-5605
TRANSYLVANIA COUNTY
 STATION: 50+83.00 -L-

STATE OF NORTH CAROLINA
 DEPARTMENT OF TRANSPORTATION
 RALEIGH
 STANDARD
 BRIDGE APPROACH SLAB
 SIDEWALK DETAILS

REVISIONS						SHEET NO.
NO.	BY:	DATE:	NO.	BY:	DATE:	S-51
1			3			TOTAL SHEETS
2			4			51

DRAWN BY : PEC DATE : 8/15
 CHECKED BY : CMT DATE : 8/15

*****SYSTEM*****
 *****DCN*****
 *****USERNAME*****

Prepared in the Office of:

Mattern & Craig
 CONSULTING ENGINEERS • SURVEYORS
 FIRM LICENSE NO. C-1154
 12 BROAD STREET
 ASHEVILLE, NORTH CAROLINA 28801
 (828) 254-2201 • FAX (828) 254-4562

DocuSigned by:
Steven A. Campbell 12/21/2015