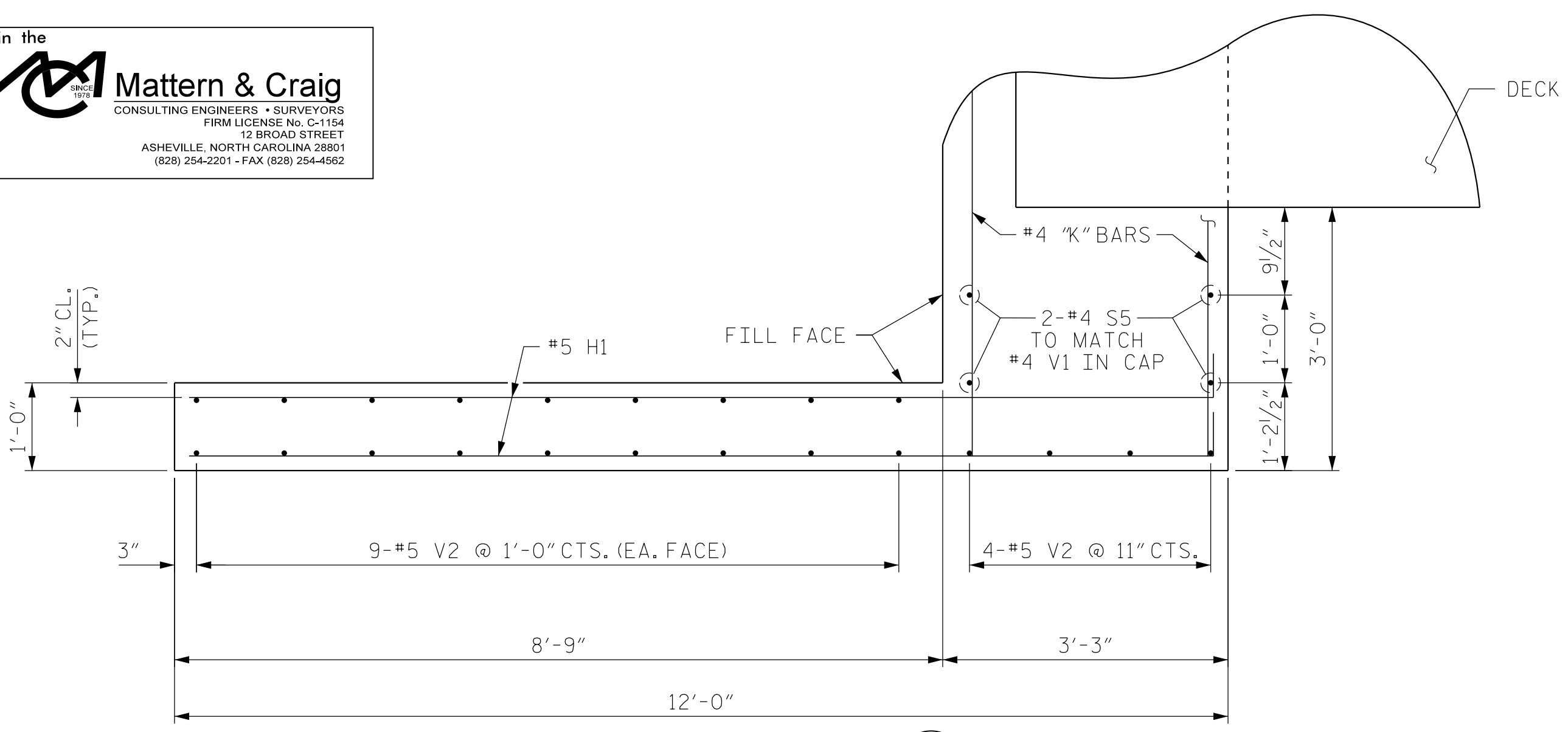
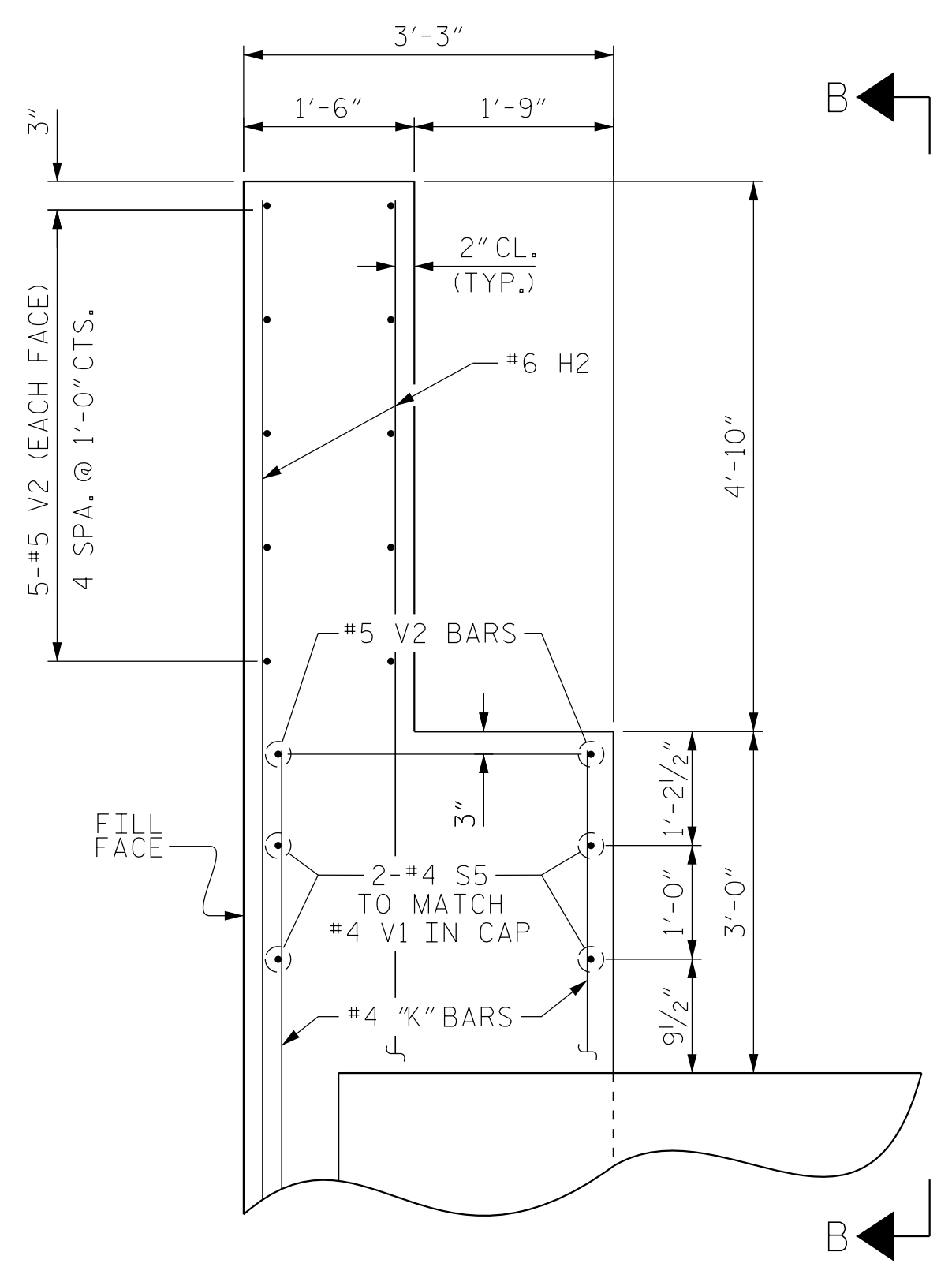


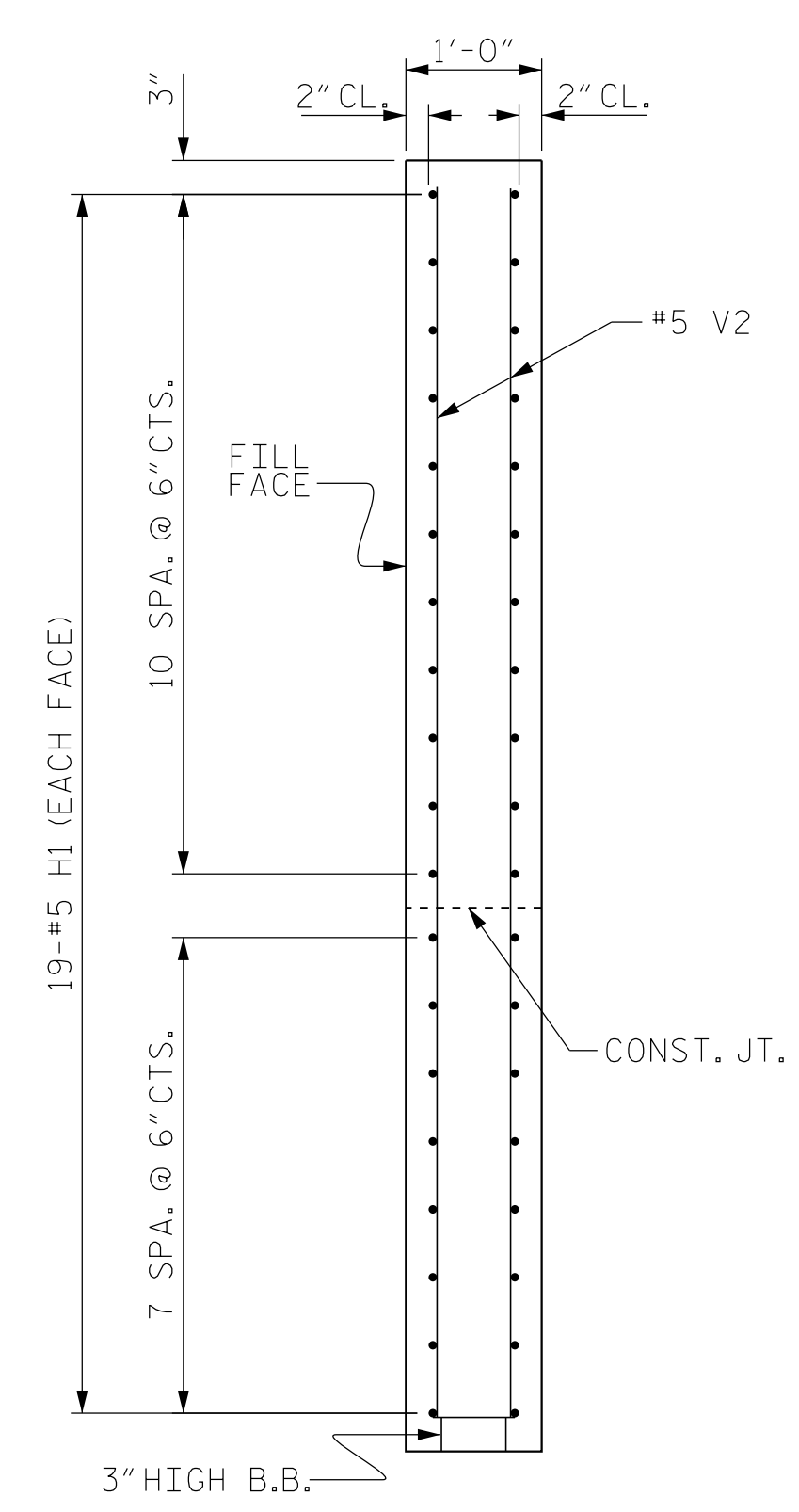
Prepared in the Office of:
Mattern & Craig
 CONSULTING ENGINEERS • SURVEYORS
 FIRM LICENSE NO. C-1154
 12 BROAD STREET
 ASHEVILLE, NORTH CAROLINA 28801
 (828) 254-2201 • FAX (828) 254-4562



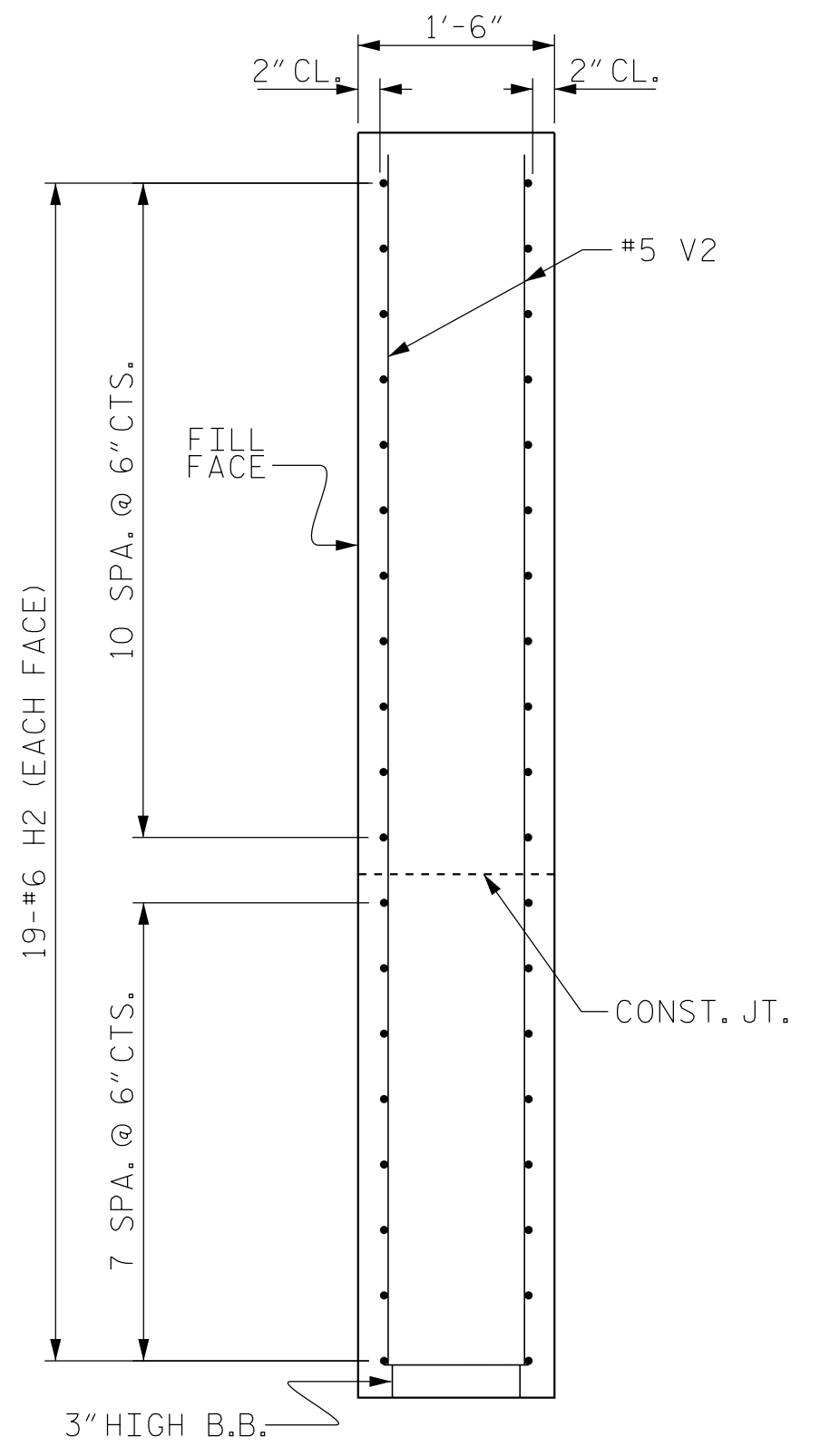
PLAN OF WING (W1)



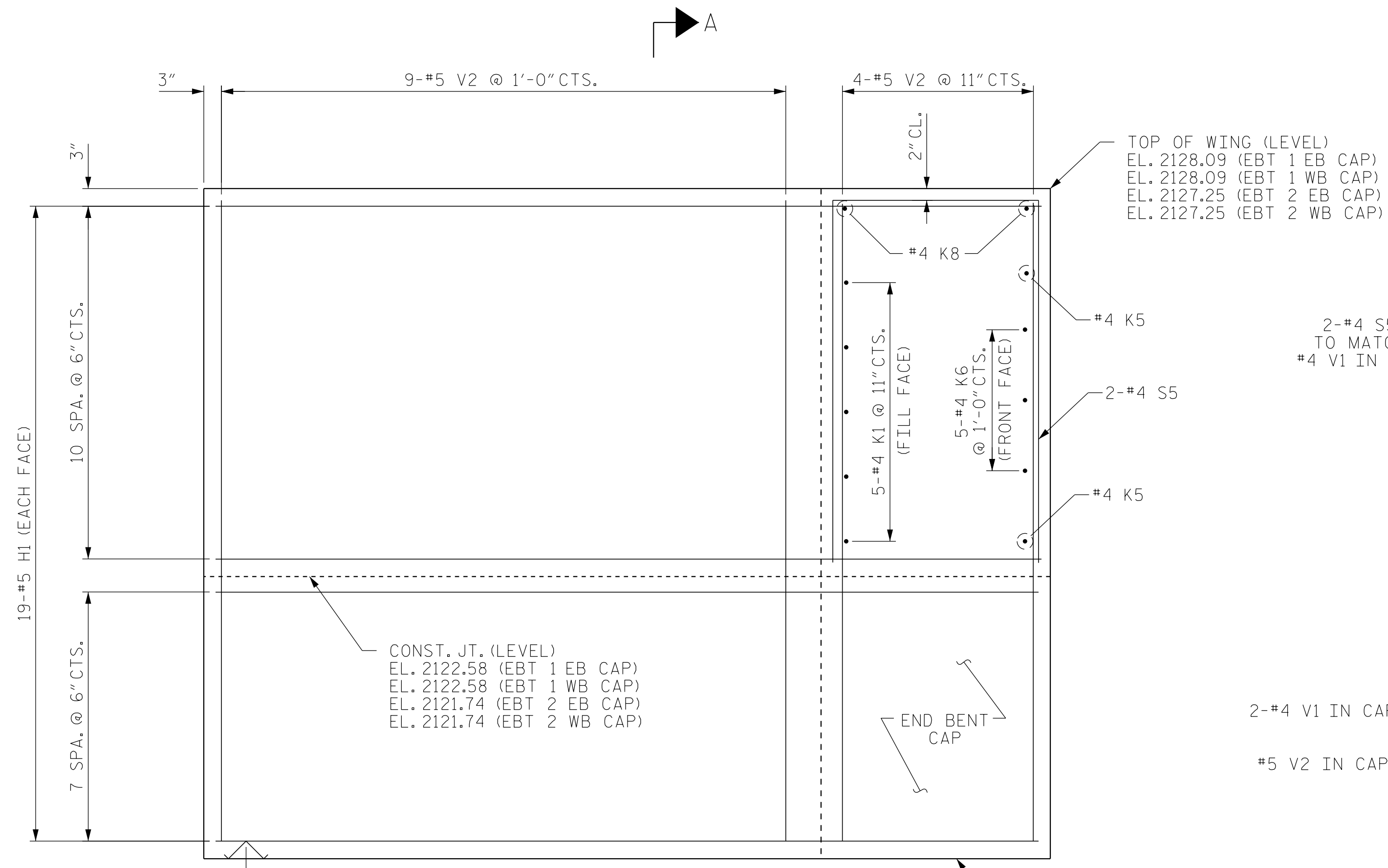
PLAN OF WING (W2)



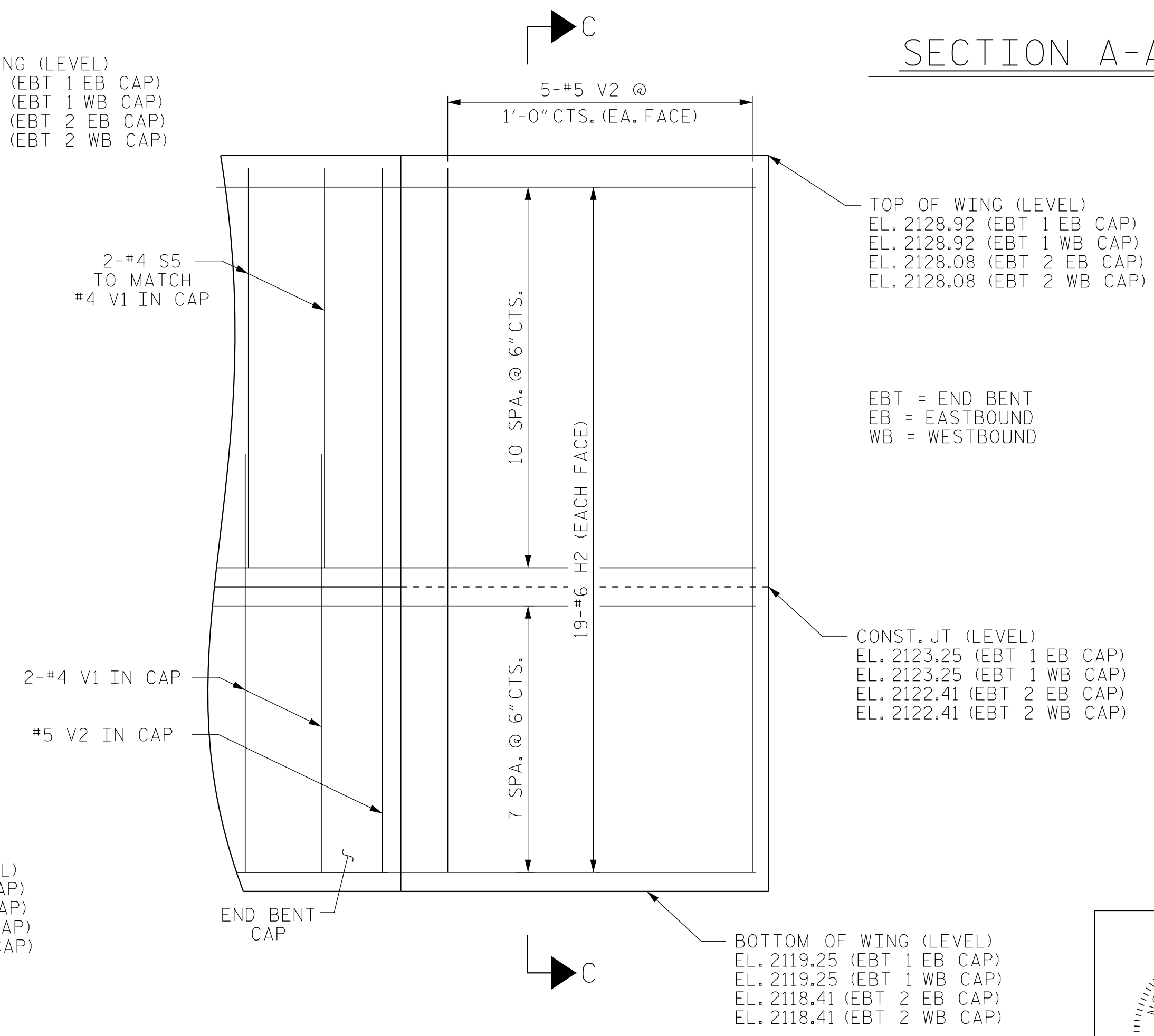
SECTION A-A



SECTION C-C



ELEVATION OF WING (W1)



ELEVATION B-B WING (W2)

NOTES

ALL MATERIALS BELOW THE CONSTRUCTION JOINTS ARE INCLUDED IN THE END BENT BILL OF MATERIAL, SEE SHEET 4 OF 4. ALL MATERIALS ABOVE THE CONSTRUCTION JOINTS ARE INCLUDED IN THE SUPERSTRUCTURE BILL OF MATERIAL, SEE SHEET NO. S-41.

EBT = END BENT
 EB = EASTBOUND
 WB = WESTBOUND

PROJECT NO. R-5605
 TRANSYLVANIA COUNTY
 STATION: 50+83.00 -L-

SHEET 3 OF 4

STATE OF NORTH CAROLINA
 DEPARTMENT OF TRANSPORTATION
 RALEIGH

SUBSTRUCTURE
 END BENT
 WING DETAILS

SEAL
 14309
 ENGINEER
 STEVEN A. CAMPBELL
 NORTH CAROLINA PROFESSIONAL SEAL

REVISIONS						SHEET NO.	
NO.	BY:	DATE:	NO.	BY:	DATE:	S-46	
1			3			TOTAL SHEETS	51
2			4				

DRAWN BY : PEC DATE : 8/15
 CHECKED BY : CMT DATE : 8/15

*****SYSTEM*****
 *****DCN*****
 *****USERNAME*****

DocuSigned by:
 Steven A. Campbell 12/21/2015