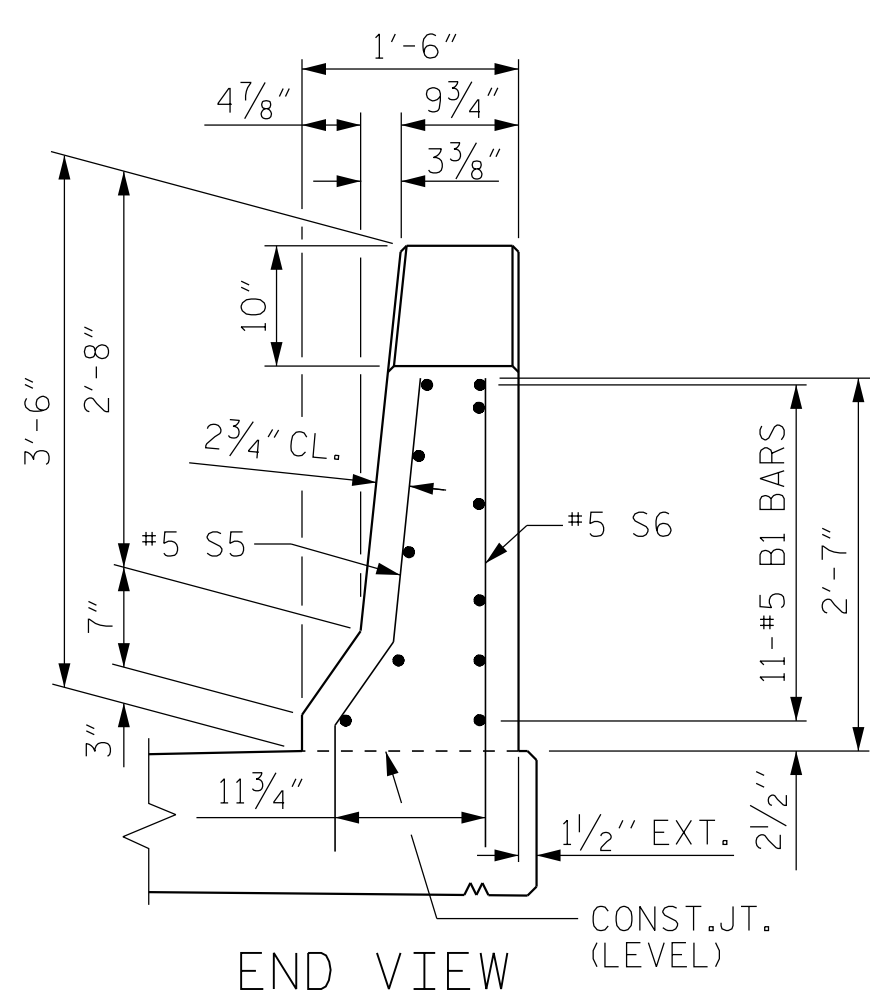
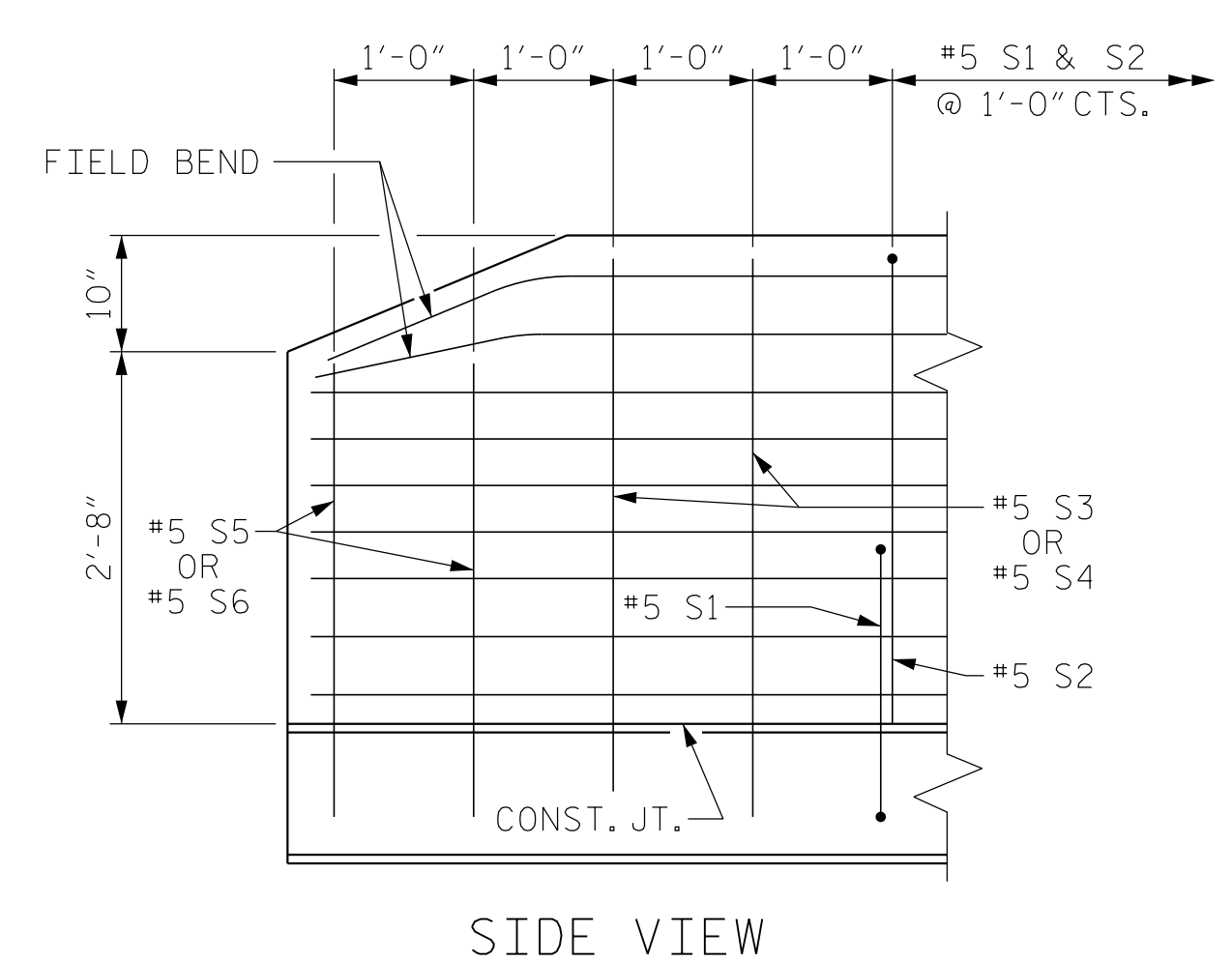


PLAN

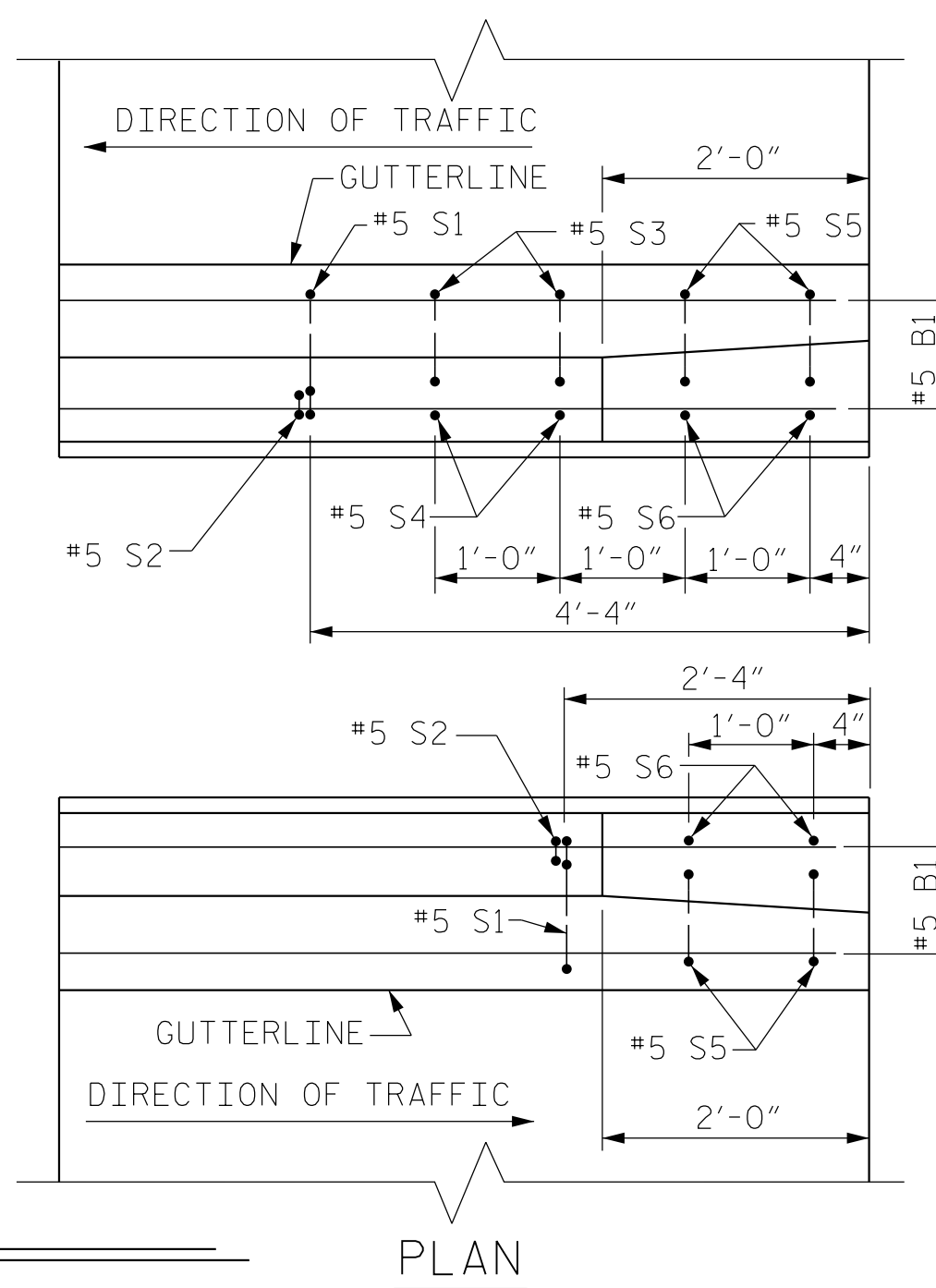


END VIEW

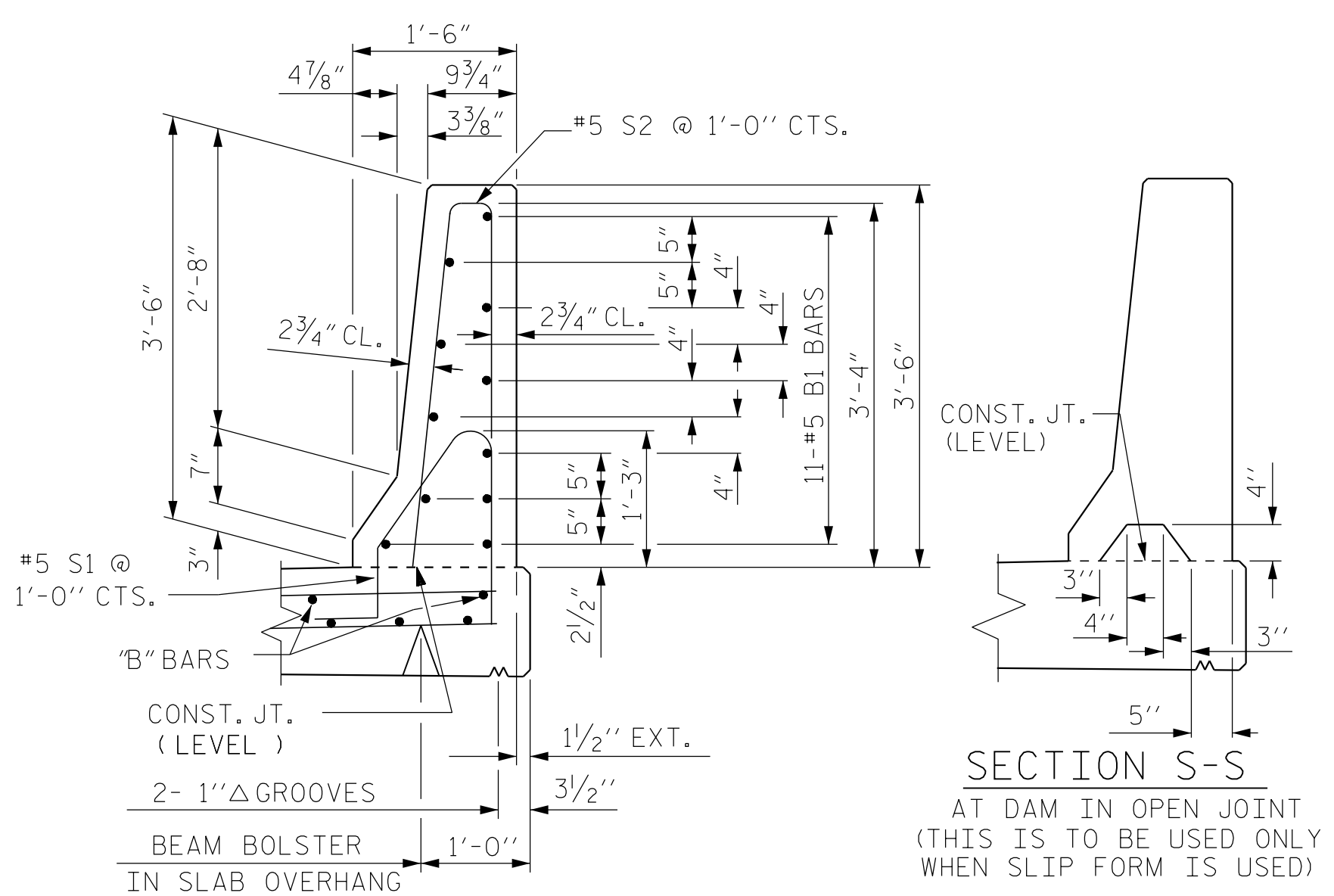


SIDE VIEW

END OF RAIL DETAILS

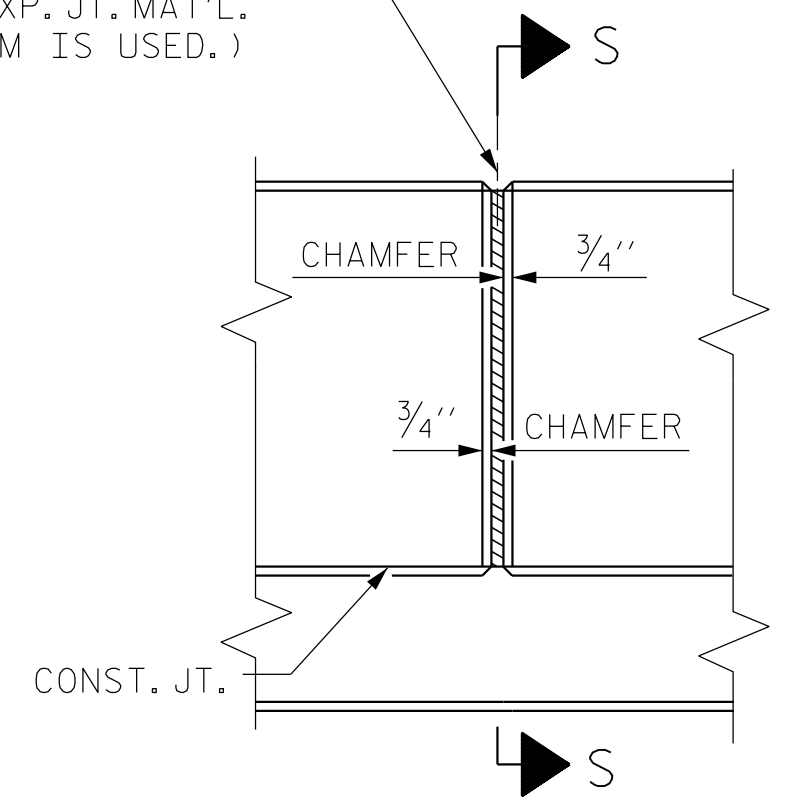


PLAN



SECTION THRU RAIL

1/2" EXP. JT. MAT'L HELD IN PLACE WITH GALVANIZED NAILS. (NOTE: OMIT EXP. JT. MAT'L WHEN SLIP FORM IS USED.)



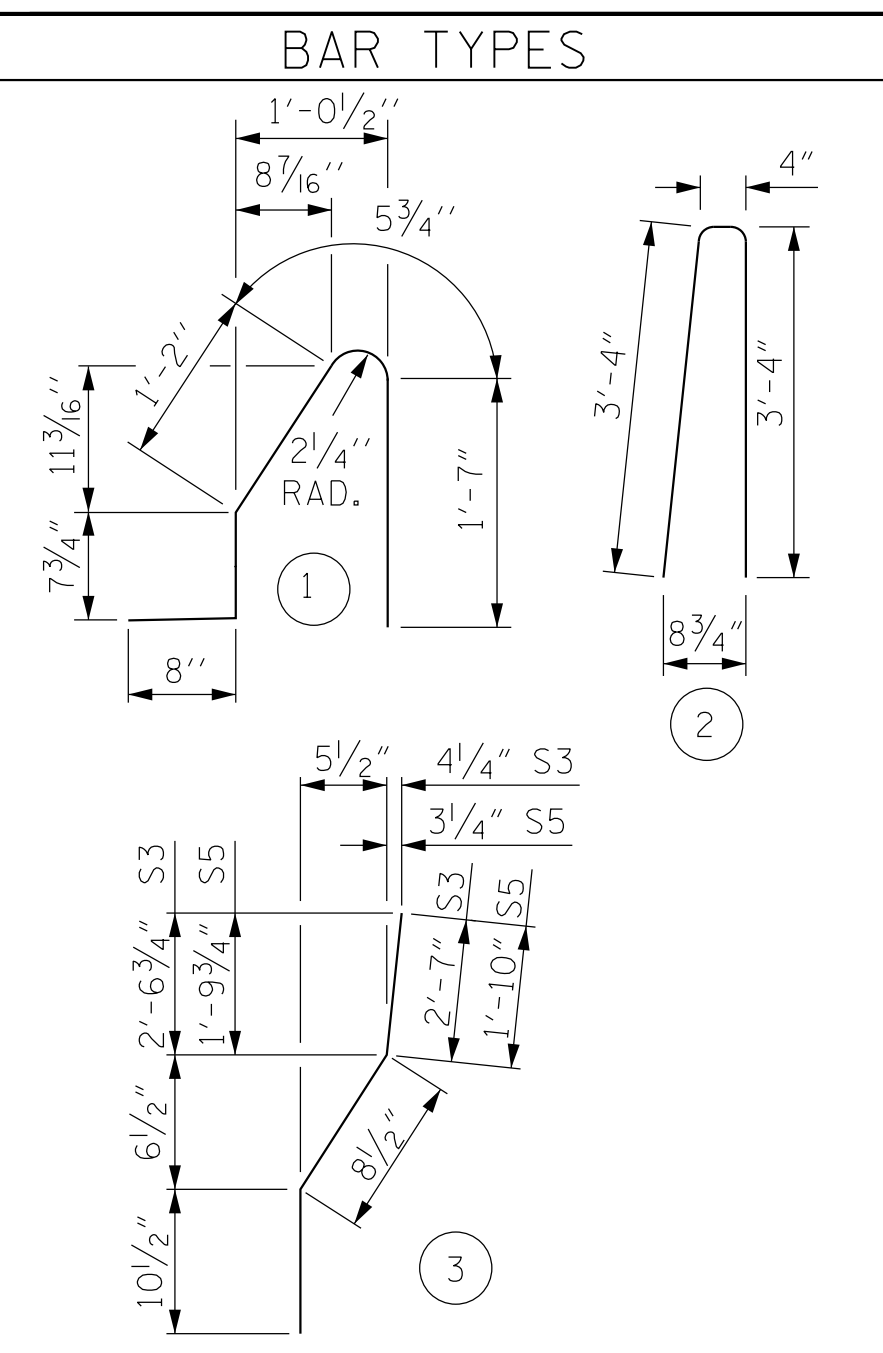
ELEVATION AT EXPANSION JOINTS
BARRIER RAIL DETAILS

NOTES

THE BARRIER RAIL IN THE SPAN SHALL NOT BE CAST UNTIL ALL SLAB CONCRETE IN THAT SPAN HAS BEEN CAST AND HAS REACHED A MINIMUM COMPRESSIVE STRENGTH OF 3,000 PSI.

ALL REINFORCING STEEL IN BARRIER RAILS SHALL BE EPOXY COATED.

GROOVED CONTRACTION JOINTS, 1/2" IN DEPTH, SHALL BE TOOLED IN ALL EXPOSED FACES OF THE BARRIER RAIL AND IN ACCORDANCE WITH ARTICLE 825-10(B) OF THE STANDARD SPECIFICATIONS. THE CONTRACTION JOINT SHALL BE LOCATED AT EACH THIRD POINT BETWEEN BARRIER RAIL EXPANSION JOINTS. ONLY ONE CONTRACTION JOINT IS REQUIRED AT MIDPOINT OF BARRIER RAIL SEGMENTS LESS THAN 20 FEET IN LENGTH AND NO CONTRACTION JOINTS ARE REQUIRED FOR THOSE SEGMENTS LESS THAN 10 FEET IN LENGTH.



ALL BAR DIMENSIONS ARE OUT TO OUT

BILL OF MATERIAL

| FOR CONCRETE BARRIER RAIL ONLY | | | | | |
|----------------------------------|-----|------|------|--------|----------|
| BAR | NO. | SIZE | TYPE | LENGTH | WEIGHT |
| * S1 | 230 | #5 | 1 | 4'-7" | 1101 |
| * S2 | 230 | #5 | 2 | 7'-0" | 1681 |
| * S3 | 4 | #5 | 3 | 4'-2" | 18 |
| * S4 | 4 | #5 | STR | 4'-0" | 17 |
| * S5 | 8 | #5 | 3 | 3'-5" | 29 |
| * S6 | 8 | #5 | STR | 3'-3" | 28 |
| * B1 | 88 | #5 | STR | 29'-8" | 2725 |
| * EPOXY COATED REINFORCING STEEL | | | | 5,599 | LBS. |
| CLASS AA CONCRETE | | | | 33 | CU. YDS. |
| CONCRETE BARRIER RAIL | | | | 240 | LIN. FT. |

| | | | |
|----------------|----------|---------------|--------|
| ASSEMBLED BY : | PFC | DATE : | 8/15 |
| CHECKED BY : | CMT | DATE : | 8/15 |
| DRAWN BY : | ARB 5/87 | REV. 10/11/11 | MAA/GM |
| CHECKED BY : | SJD 9/87 | REV. 7/12 | MAA/GM |
| | | REV. 6/13 | MAA/GM |

*****SYSTEM*****
*****DON*****
*****USERNAME*****

Prepared in the Office of:

PROJECT NO. R-5605
TRANSYLVANIA COUNTY
STATION: 36+73.00 -L-

| REVISIONS | | | | | |
|-----------|-----|-------|-----|-----|-------|
| NO. | BY: | DATE: | NO. | BY: | DATE: |
| 1 | | | 3 | | |
| 2 | | | 4 | | |

SHEET NO. S-11
TOTAL SHEETS 51