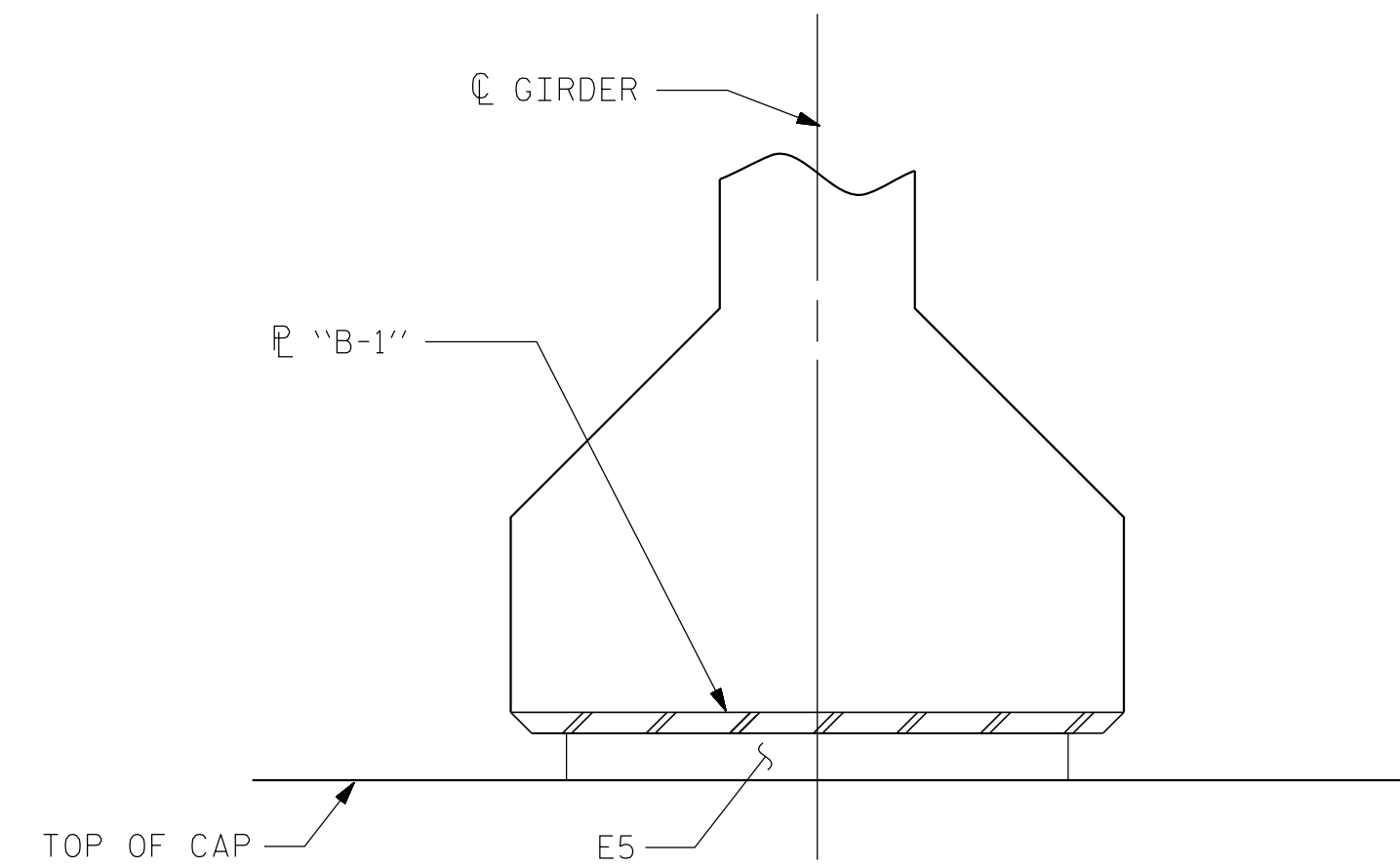


NOTES

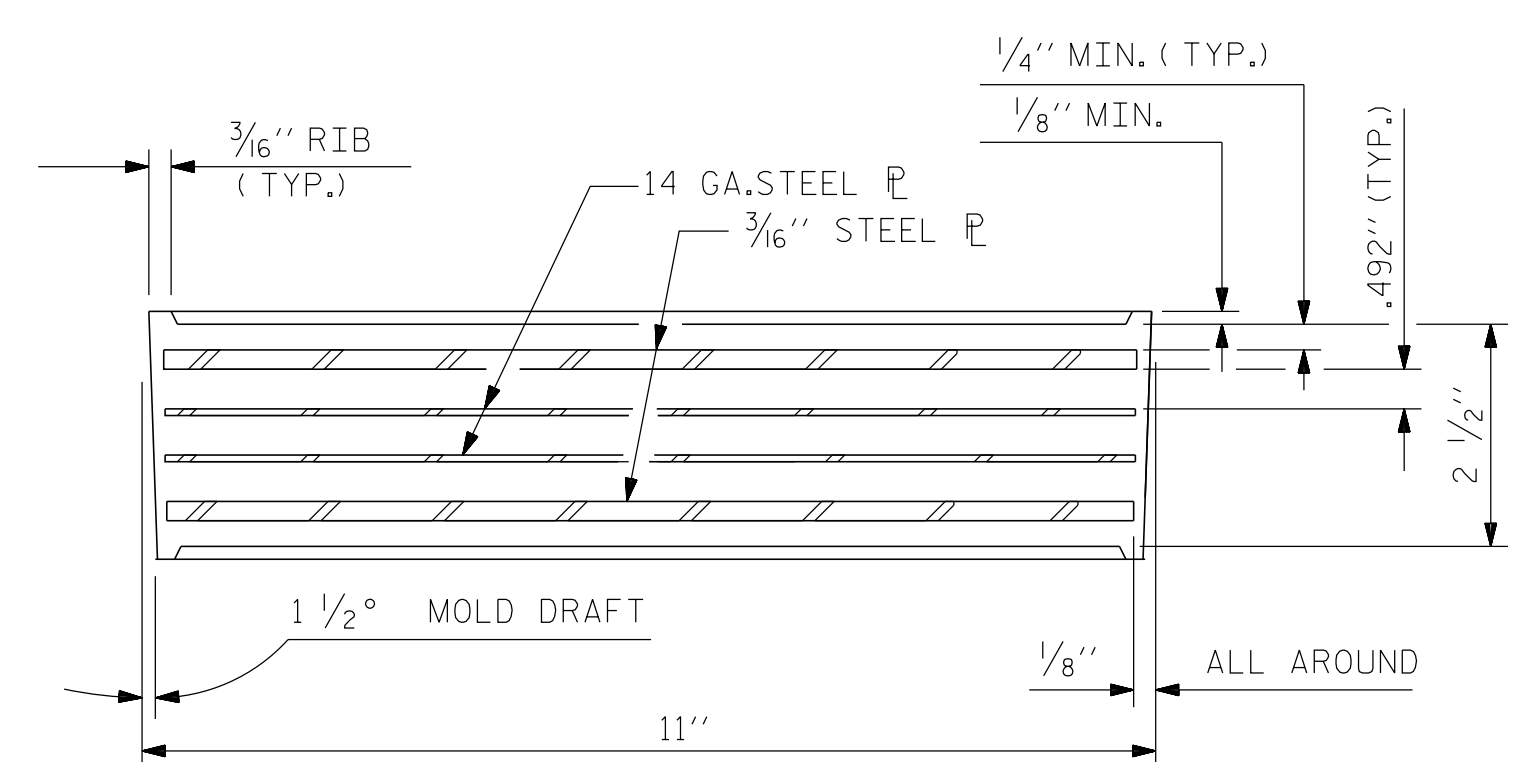
ALL SURFACES OF BEARING PLATES SHALL BE SMOOTH AND STRAIGHT.

THE ELASTOMER IN THE STEEL REINFORCED BEARINGS SHALL HAVE A SHEAR MODULUS OF 0.160 KSI, IN ACCORDANCE WITH AASHTO M251.

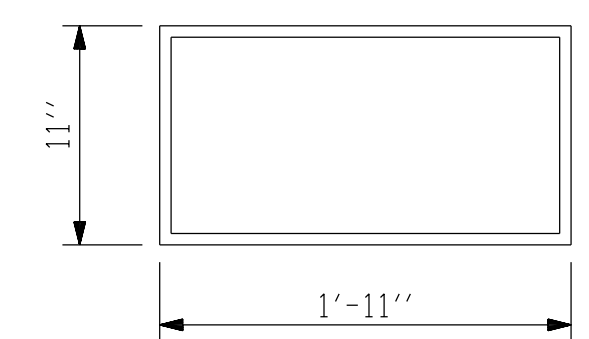
FOR STEEL REINFORCED ELASTOMERIC BEARINGS, SEE SPECIAL PROVISIONS.



SECTION E-E



TYPICAL SECTION OF ELASTOMERIC BEARINGS



E5 (20 REQ'D )  
PLAN VIEW OF ELASTOMERIC BEARING  
TYPE VI

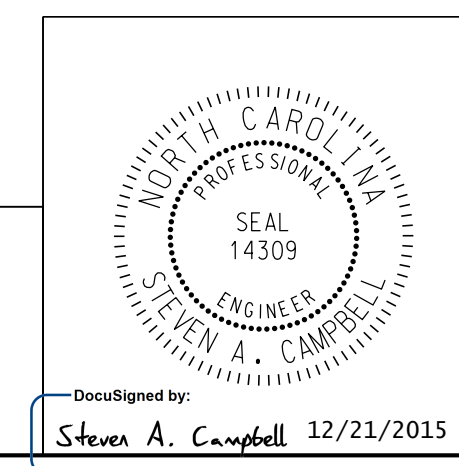
MAXIMUM ALLOWABLE SERVICE LOADS	
D.L.+L.L. (NO IMPACT)	
TYPE V	365 k
TYPE VI	420 k
TYPE VII	470 k

PROJECT NO. R-5605  
TRANSYLVANIA COUNTY  
STATION: 36+73.00 -L-

STATE OF NORTH CAROLINA  
DEPARTMENT OF TRANSPORTATION  
RALEIGH  
STANDARD  
ELASTOMERIC BEARING  
DETAILS  
PRESTRESSED CONCRETE GIRDER  
SUPERSTRUCTURE

ASSEMBLED BY :	PFC	DATE :	8/15
CHECKED BY :	CMT	DATE :	8/15
DRAWN BY :	EEM 2/97	REV. 5/11/06	TLA/GM
CHECKED BY :	VAP 2/97	REV. 10/1/11	MAA/GM
		REV. 6/13	AAC/MAA

Prepared in the Office of:  
**Mattern & Craig**  
CONSULTING ENGINEERS + SURVEYORS  
FIRM LICENSE NO. C-1154  
12 BROAD STREET  
ASHEVILLE, NORTH CAROLINA 28801  
(828) 254-2201 - FAX (828) 254-4562



REVISIONS						SHEET NO.
NO.	BY:	DATE:	NO.	BY:	DATE:	S-10
1			3			TOTAL SHEETS
2			4			51

\*\*\*\*\*SYSTEM\*\*\*\*\*  
\*\*\*\*\*DCN\*\*\*\*\*  
\*\*\*\*\*USERNAME\*\*\*\*\*

DocuSigned by:  
**Steven A. Campbell** 12/21/2015  
SDCF8A0000342E