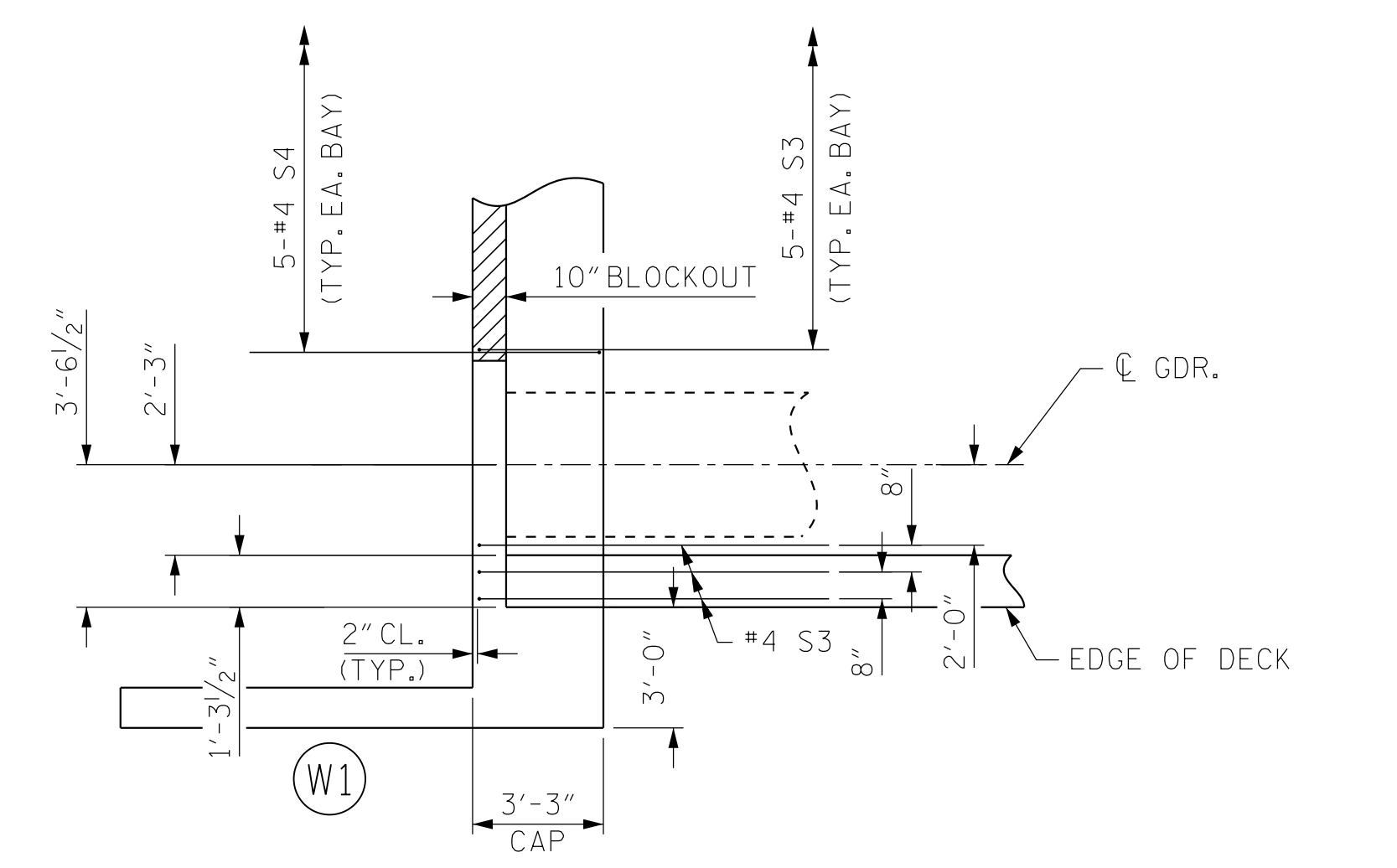
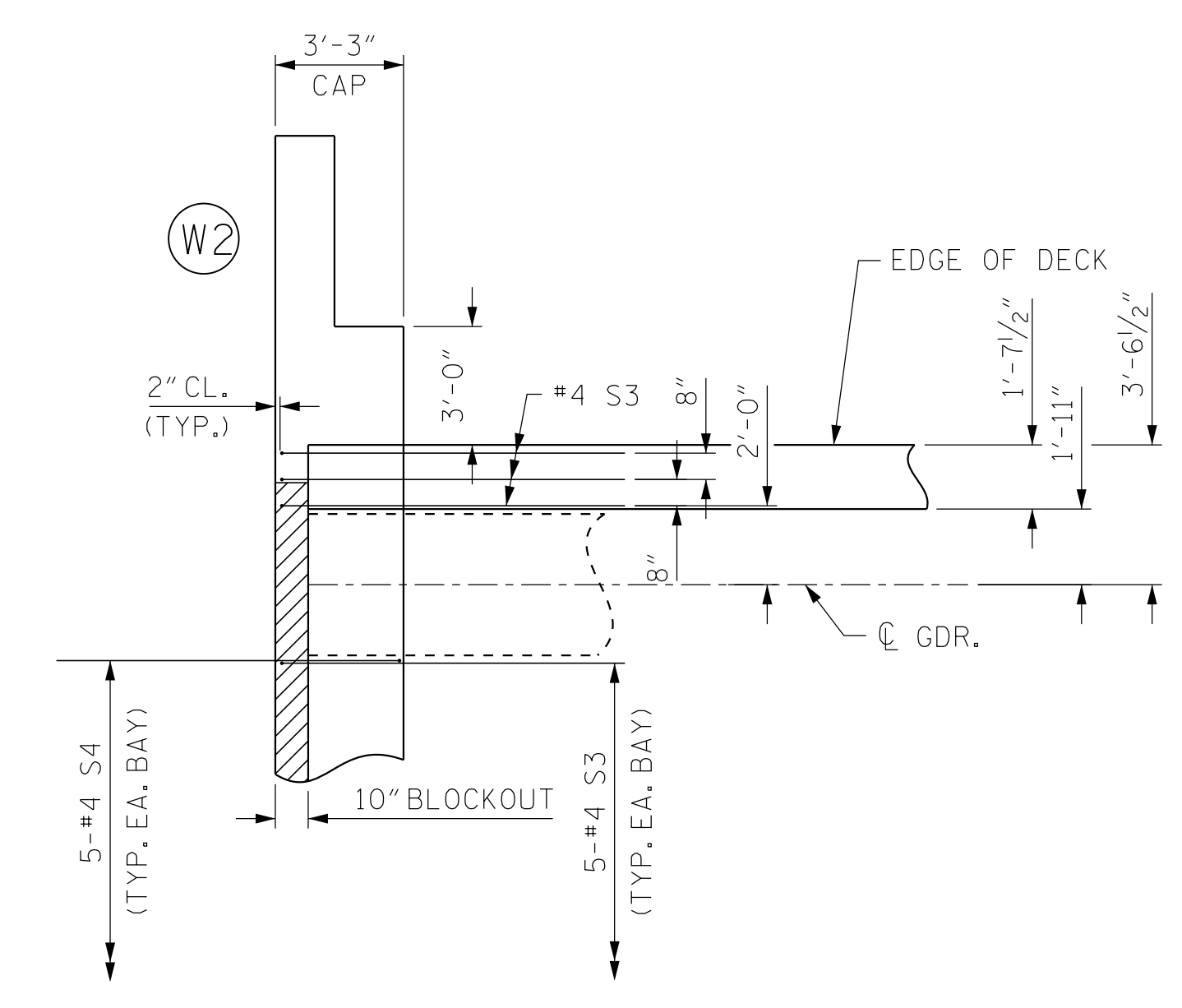


PLAN

REINFORCING AT END BENT NO. 1 IS TYPICAL FOR BOTH CAPS AND BOTH END BENTS



DETAIL "A"



DETAIL "B"

PROJECT NO. R-5605
 TRANSYLVANIA COUNTY
 STATION: 36+73.00 -L-

STATE OF NORTH CAROLINA DEPARTMENT OF TRANSPORTATION RALEIGH					
SUPERSTRUCTURE PLAN OF SPAN					
REVISIONS					SHEET NO.
NO.	BY:	DATE:	NO.	BY:	DATE:
1			3		
2			4		
					TOTAL SHEETS
					51

DRAWN BY : PEC DATE : 8/15
 CHECKED BY : CMT DATE : 8/15

*****SYSTEM*****
 *****DCN*****
 *****USERNAME*****

Prepared in the Office of:

Mattern & Craig
 CONSULTING ENGINEERS & SURVEYORS
 FIRM LICENSE NO. C-1154
 12 BROAD STREET
 ASHEVILLE, NORTH CAROLINA 28801
 (828) 254-2201 - FAX (828) 254-4582

DocuSigned by:
Steven A. Campbell 12/21/2015