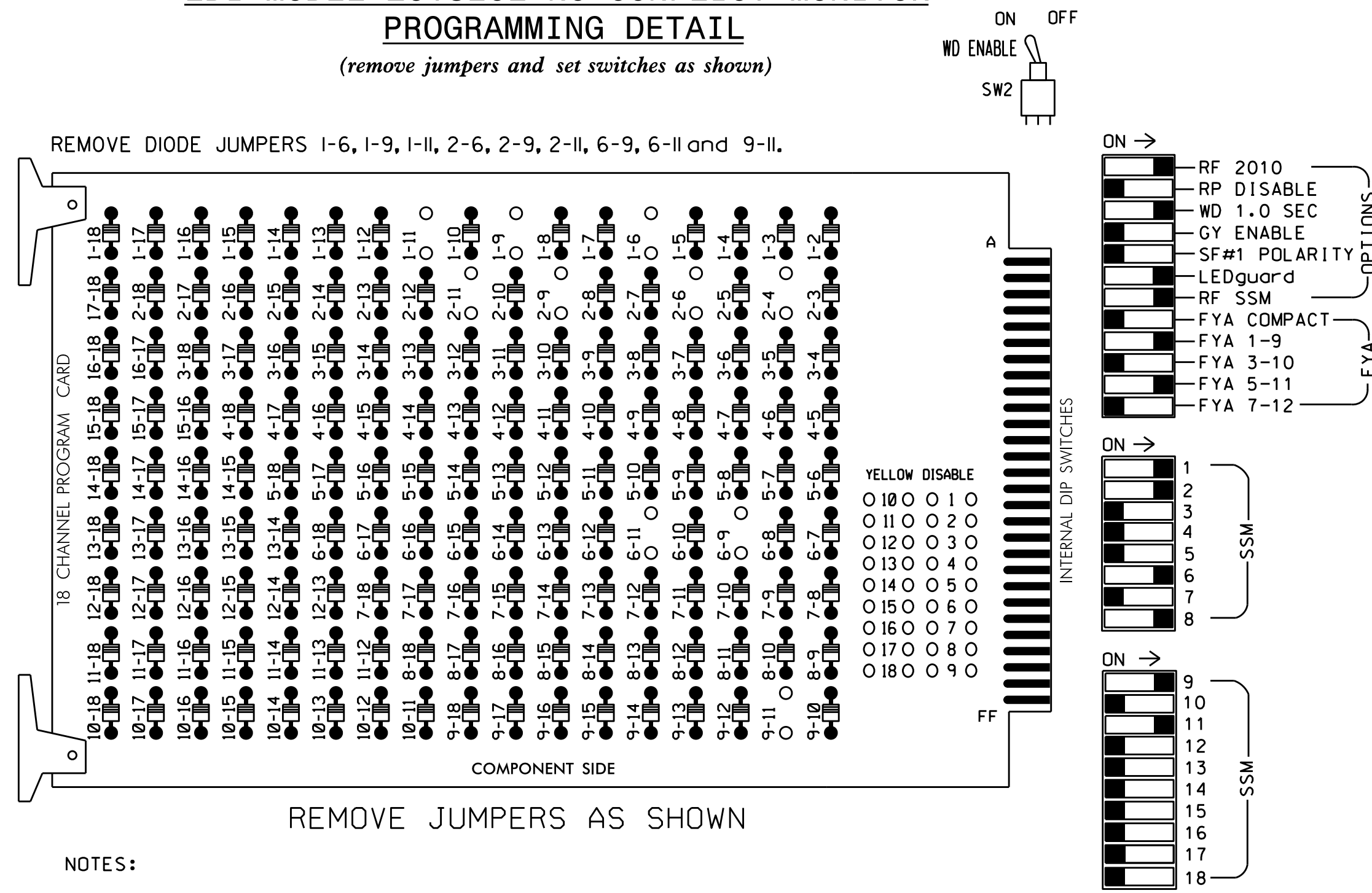


EDI MODEL 2018ECL-NC CONFLICT MONITOR PROGRAMMING DETAIL
(remove jumpers and set switches as shown)



NOTES

- To prevent "flash-conflict" problems, insert red flash program blocks for all unused vehicle load switches in the output file. The installer shall verify that signal heads flash in accordance with the Signal Plans.
- Enable Simultaneous Gap-Out for all phases.
- Program phases 2 and 6 for Variable Initial and Gap Reduction.
- Program phases 2 and 6 for Start Up In Green.
- Program phases 2 and 6 for Yellow Flash, and overlap 1 as Wag Overlaps.
- The cabinet and controller are part of the US 64 / 276 Brevard Closed Loop System.

EQUIPMENT INFORMATION

CONTROLLER.....2070L
 CABINET.....332 /W/ AUX
 SOFTWARE.....ECONOLITE OASIS
 CABINET MOUNT.....BASE
 OUTPUT FILE POSITIONS...18 WITH AUX. OUTPUT FILE
 LOAD SWITCHES USED.....S1,S2,S8,S11,AUX S1,AUX S4
 PHASES USED.....1,2,6,8
 OVERLAP "A".....1+2
 OVERLAP "B".....NOT USED
 OVERLAP "C".....6
 OVERLAP "D".....NOT USED

SIGNAL HEAD HOOK-UP CHART

LOAD SWITCH NO.	S1	S2	S3	S4	S5	S6	S7	S8	S9	S10	S11	S12	AUX S1	AUX S2	AUX S3	AUX S4	AUX S5	AUX S6	
CMU CHANNEL NO.	1	2	13	3	4	14	5	6	15	7	8	16	9	10	17	11	12	18	
PHASE	1	2	2 PED	3	4	4 PED	5	6	6 PED	7	8	8 PED	OLA	OLB	SPARE	OLC	OLD	SPARE	
SIGNAL HEAD NO.	11	82	22,23	NU	NU	NU	NU	NU	61,62	NU	NU	23	81,82	NU	11	NU	NU	21	NU
RED	*	128						134			107								
YELLOW		129						135			108								
GREEN		130						136			109								
RED ARROW													A121					A114	
YELLOW ARROW	126										108		A122					A115	
FLASHING YELLOW ARROW													A123					A116	
GREEN ARROW	127	127									109								

NU = Not Used
 * Denotes install load resistor. See load resistor installation detail this sheet.
 ★ See pictorial of head wiring in detail below.

INPUT FILE POSITION LAYOUT
(front view)

FILE	1	2	3	4	5	6	7	8	9	10	11	12	13	14
U	∅ 1 1A	∅ 2/SYS 2A/S01	∅ 2 2C	∅ 4/SYS 4A/S01	∅ 5/SYS 5A/S01	∅ 6/SYS 6A/S03	∅ 7/SYS 7A/S01	∅ 8 8A	∅ 9/SYS 9A/S01	∅ 10/SYS 10A/S01	∅ 11/SYS 11A/S01	∅ 12/SYS 12A/S01	∅ 13/SYS 13A/S01	∅ 14/SYS 14A/S01
L	NOT USED	∅ 2/SYS 2B/S02	NOT USED	∅ 4/SYS 4B/S02	∅ 5/SYS 5B/S02	∅ 6/SYS 6B/S04	∅ 7/SYS 7B/S02	∅ 8 8B	∅ 9/SYS 9B/S02	∅ 10/SYS 10B/S02	∅ 11/SYS 11B/S02	∅ 12/SYS 12B/S02	∅ 13/SYS 13B/S02	∅ 14/SYS 14B/S02

EX.: 1A, 2A, ETC. = LOOP NO.'S
 FS = FLASH SENSE
 ST = STOP TIME

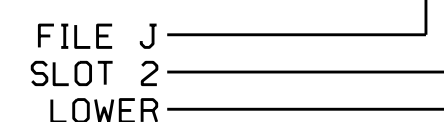
⊗ Wired Input - Do not populate slot with detector card

INPUT FILE CONNECTION & PROGRAMMING CHART

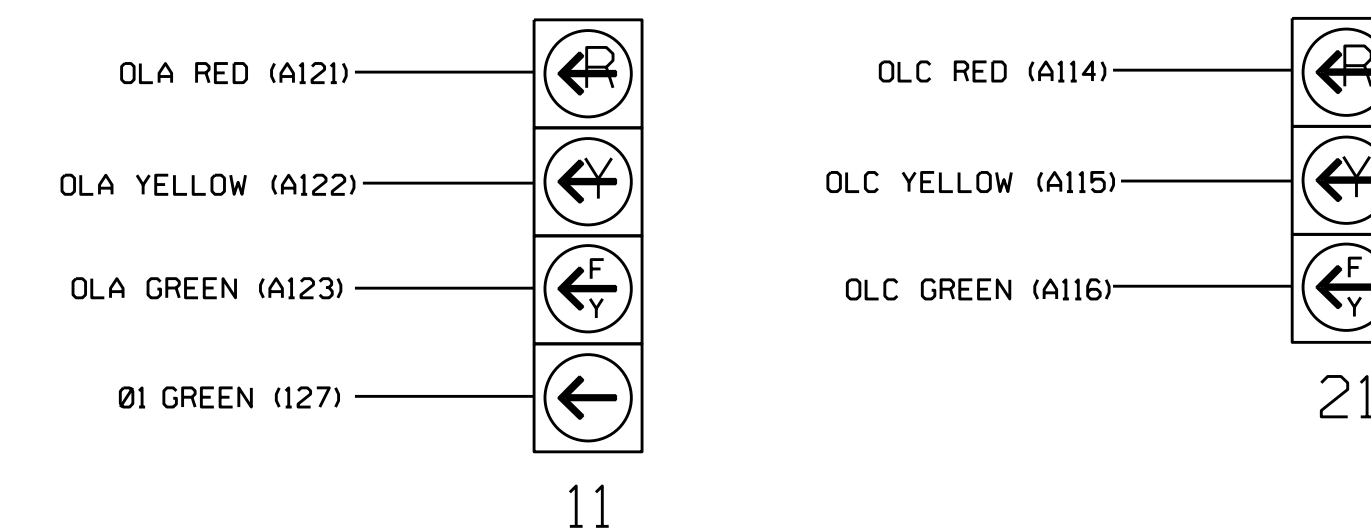
LOOP NO.	LOOP TERMINAL	INPUT FILE POS.	PIN NO.	INPUT ASSIGNMENT NO.	DETECTOR NO.	NEMA PHASE	CALL	EXTEND	FULL TIME DELAY	STRETCH TIME	DELAY TIME
1A ¹	TB2-1,2	I1U	56	18	1	1	Y	Y			15
	-	J4U	48	10	26	6	Y	Y	Y		3
1B	TB5-11,12	J6L	46	8	18	1	Y	Y			15
	2A/S01	TB2-5,6	I2U	39	1	2	2/SYS	Y	Y		
2C	TB2-7,8	I2L	43	5	12	2/SYS	Y	Y			
	TB2-9,10	I3U	63	25	32	2	Y	Y	Y		3
6A/S03	TB3-5,6	J2U	40	2	6	6/SYS	Y	Y			
	6B/S04	TB3-7,8	J2L	44	6	16	6/SYS	Y	Y		
8A	TB5-9,10	J6U	42	4	8	8	Y	Y			

¹Add jumper from I1-W to J4-W, on rear of input file.

INPUT FILE POSITION LEGEND: J2L



FYA SIGNAL WIRING DETAIL
(wire signal heads as shown)



NOTE

- The sequence display for signal head 11 requires special logic programming. See sheet 2 of 2 for programming instructions.

LOAD RESISTOR INSTALLATION DETAIL
(install resistor as shown below)

ACCEPTABLE VALUES	
VALUE (ohms)	WATTAGE
1.5K - 1.9K	25W (min)
2.0K - 3.0K	10W (min)

NOTE: The purpose of this resistor is to load the channel red monitor input in order for the Signal Sequence Monitor to use the full signal sequence monitoring capability on channels that do not use the red display in the field.

THIS ELECTRICAL DETAIL IS FOR THE SIGNAL DESIGN: 14-1287
 DESIGNED: September 2015
 SEALED: 9/29/2015
 REVISED: N/A

Electrical Detail - Sheet 1 of 2

Electrical and Programming Details for: US 64-276 (Asheville Highway) at Davidson River Village Connector

Division 14 Transylvania County near Brevard

PLAN DATE: September 2015 REVIEWED BY: GCB

PREPARED BY: C. Strickland REVIEWED BY:

REVISIONS: _____ INIT. DATE

Seal of George C. Brown, Professional Engineer, License No. 022013

Discussed by: George C. Brown 9/30/2015

750 N. Greenfield Pkwy, Garner, NC 27529

SIG. INVENTORY NO. 14-1287