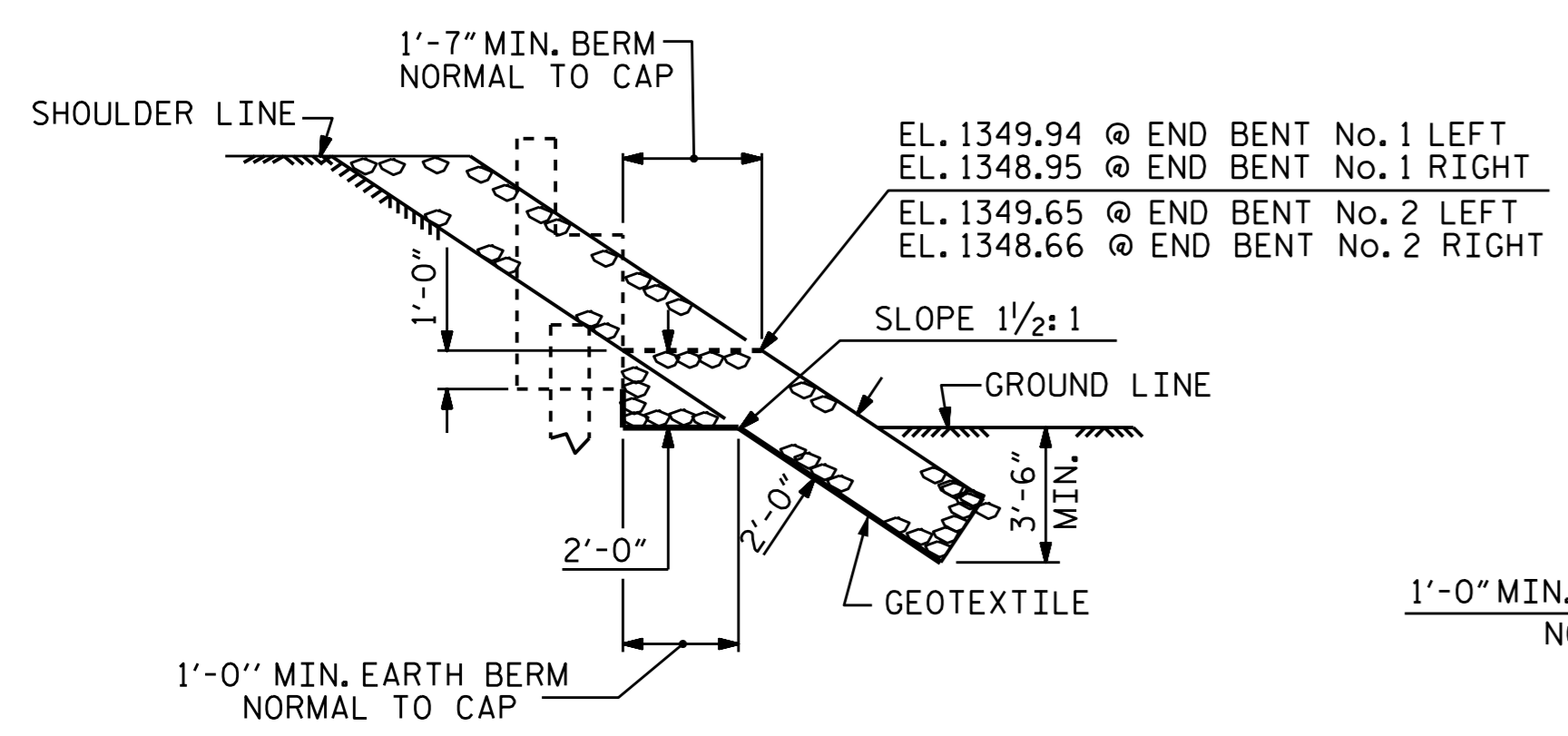


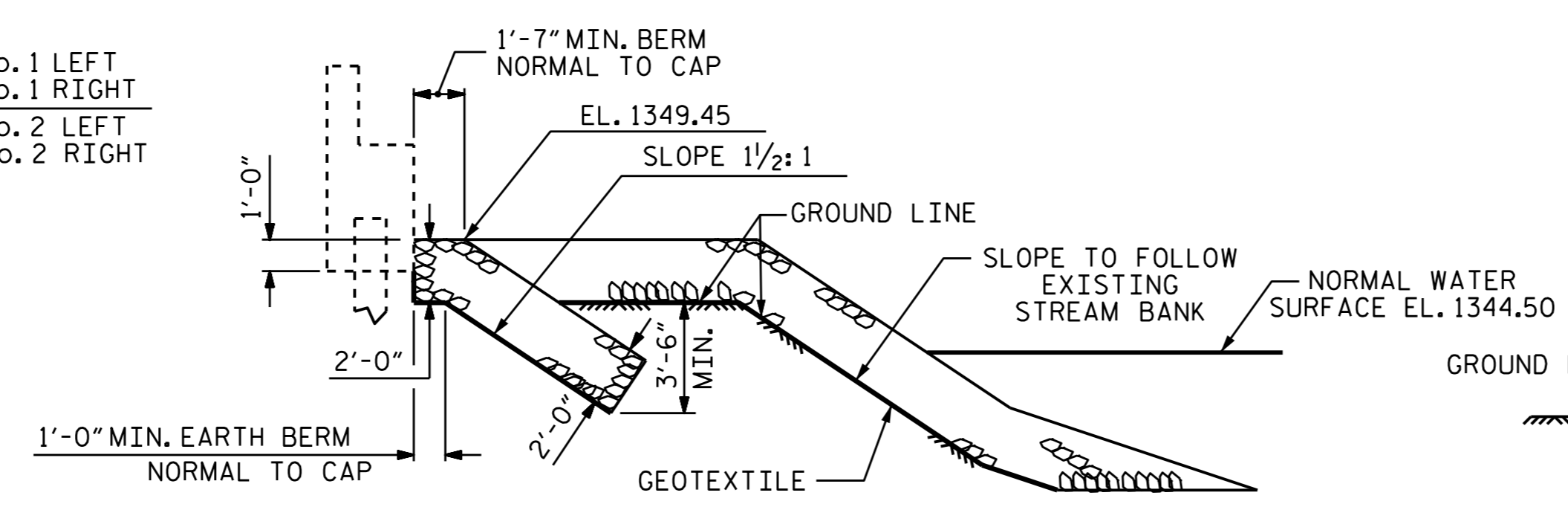
SECTION C-C

ESTIMATED QUANTITIES		
BRIDGE @ STA. 17+22.00-L-	NATURAL STONE RIP RAP CLASS 2 (2'-0" THICK)	GEOTEXTILE FOR DRAINAGE
	TONS	SQUARE YARDS
END BENT 1	218	242
END BENT 2	136	152
TOTAL	354	394

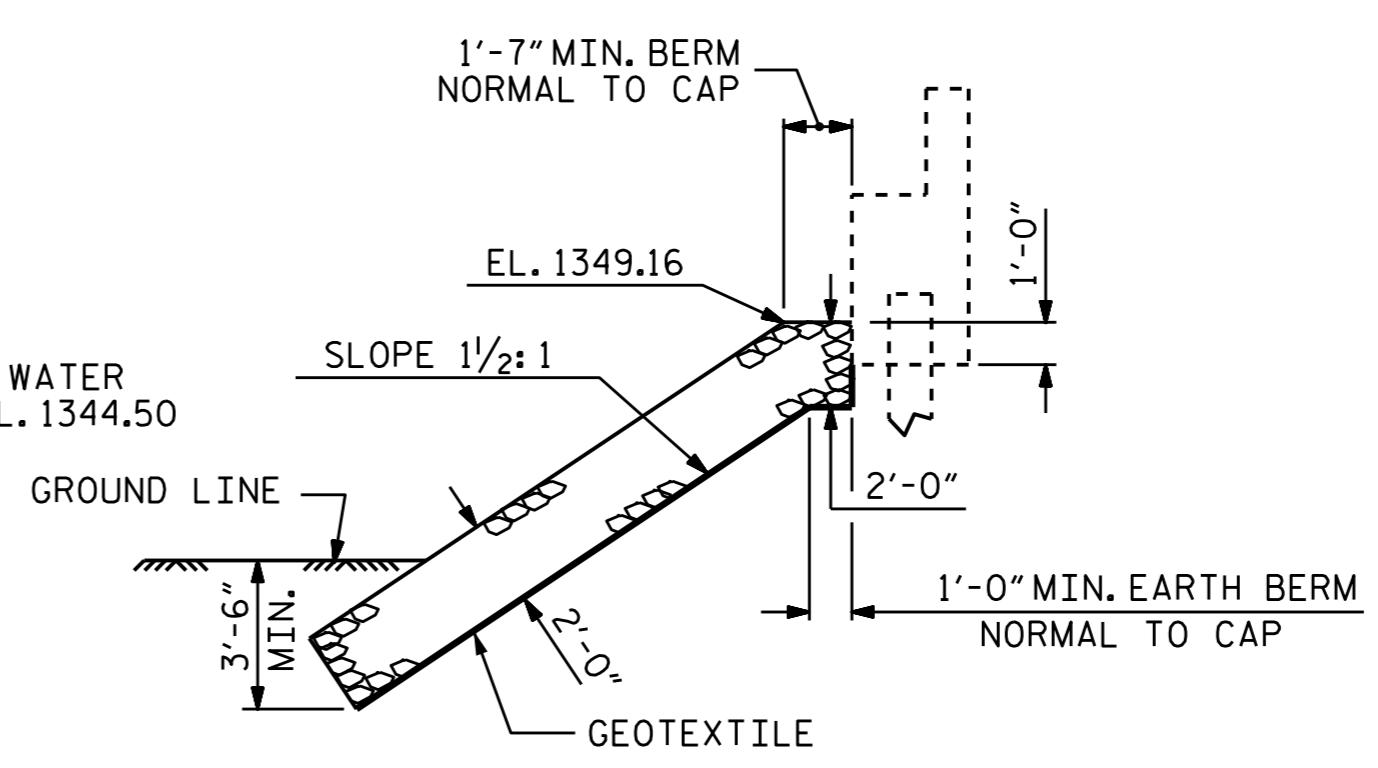
PLAN



SECTION H-H

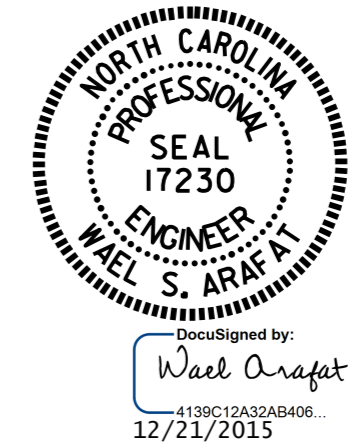


SECTION C-C
BENT No. 1



SECTION C-C
BENT No. 2

PROJECT NO. B-5173
 SURRY COUNTY
 STATION: 17+22.00-L-



STATE OF NORTH CAROLINA DEPARTMENT OF TRANSPORTATION RALEIGH					
—RIP RAP DETAILS—					
REVISIONS					
NO.	BY:	DATE:	NO.	BY:	DATE:
1			3		
2			4		

ASSEMBLED BY :	H. T. BARBOUR	DATE :	8-12-15
CHECKED BY :	V. X. NGUYEN	DATE :	9-15
DRAWN BY :	REK 1/84	REV. 5/1/06R	TLA/GM
CHECKED BY :	RDU 1/84	REV. 10/1/11	MAA/GM
		REV. 12/21/11	MAA/GM

DOCUMENT NOT CONSIDERED
 FINAL UNLESS ALL
 SIGNATURES COMPLETED