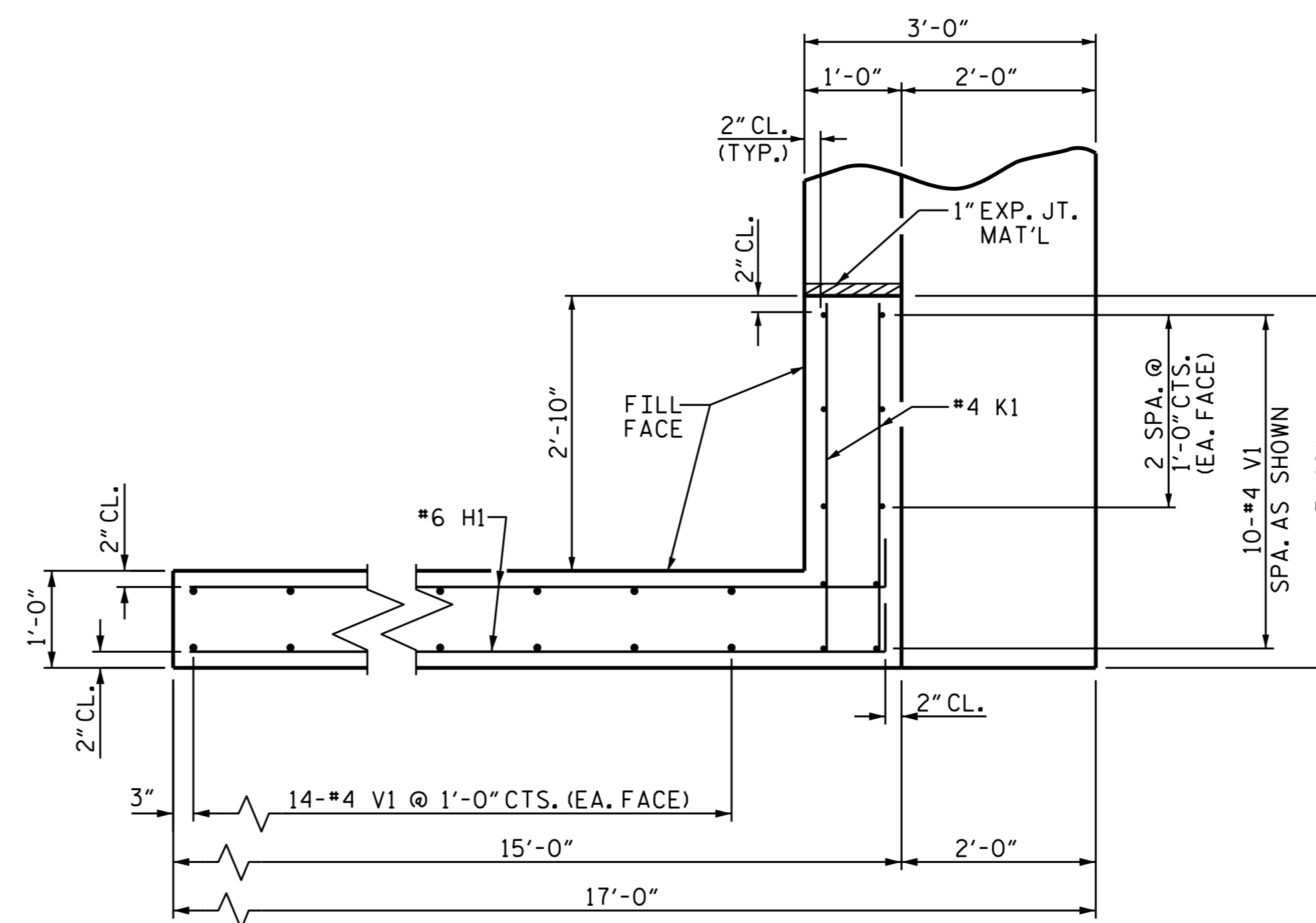
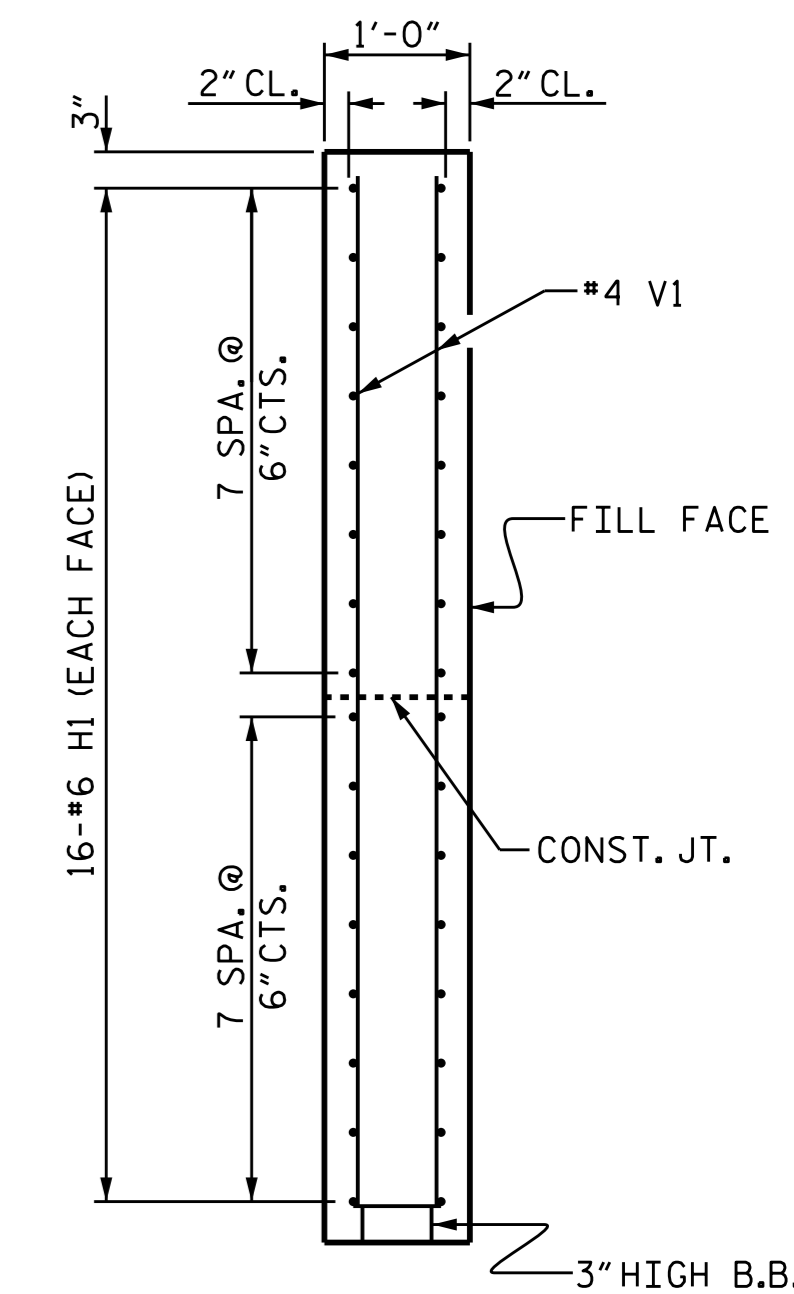


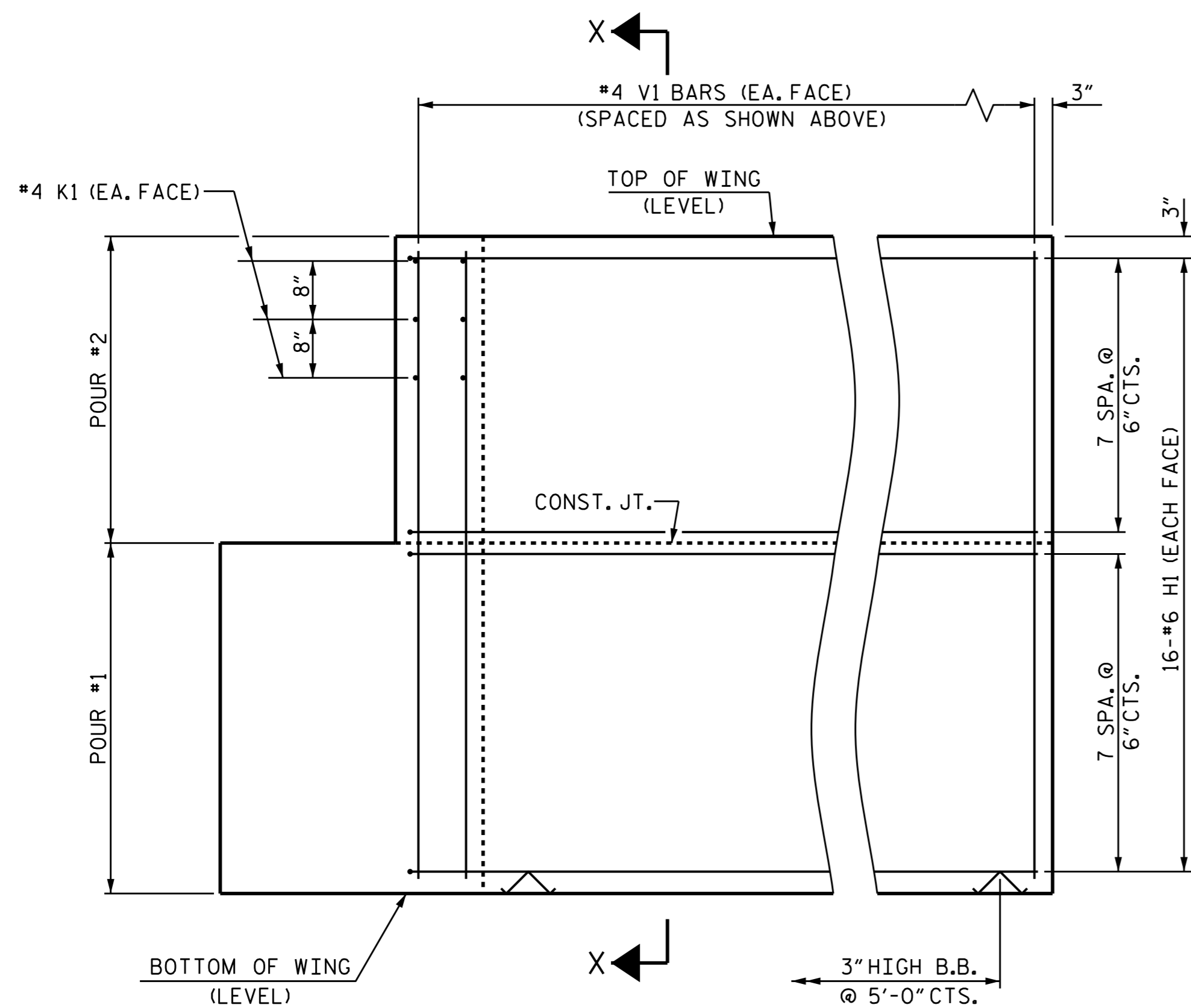
PLAN OF WING (W1)



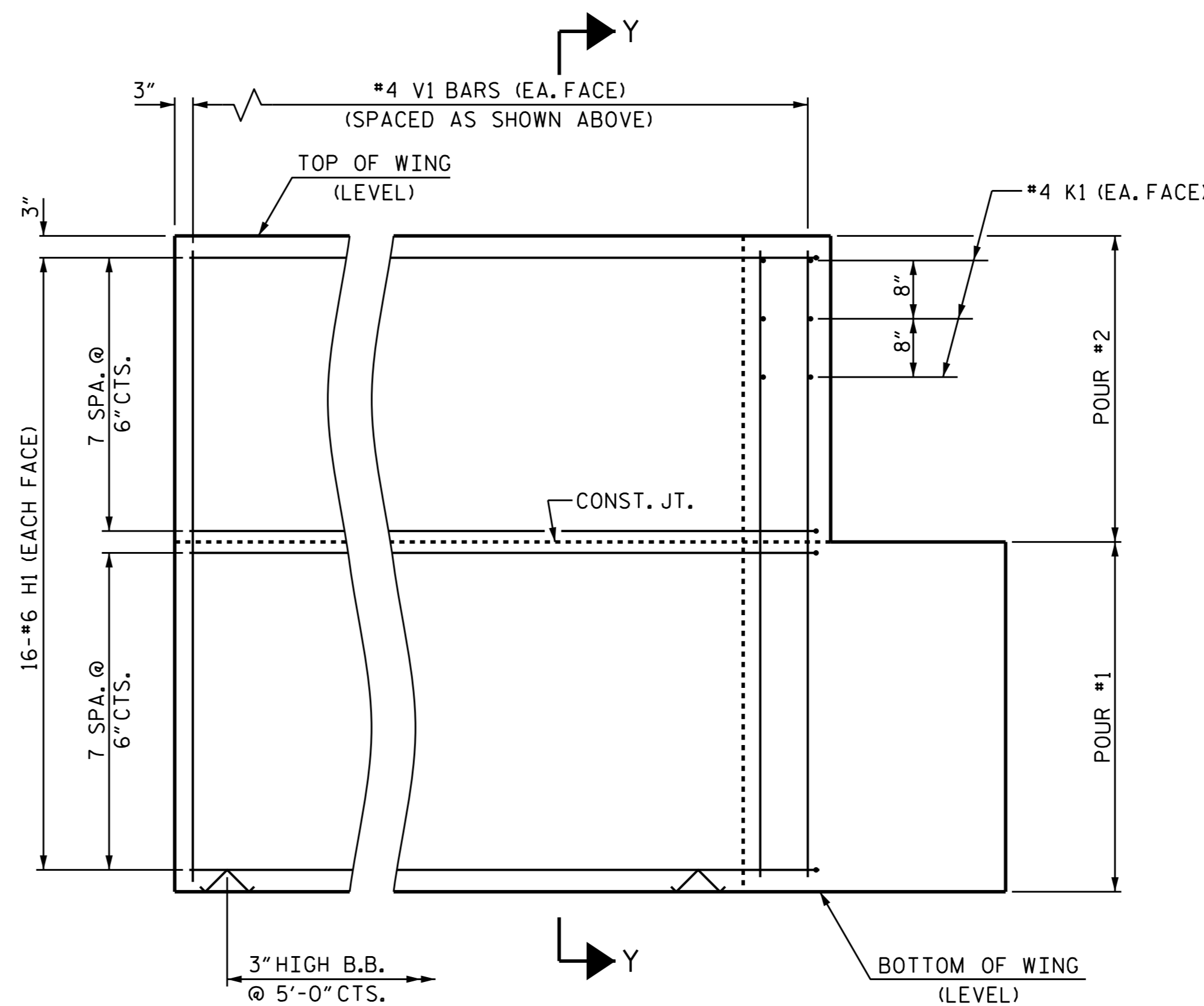
PLAN OF WING (W2)



SECTION X-X

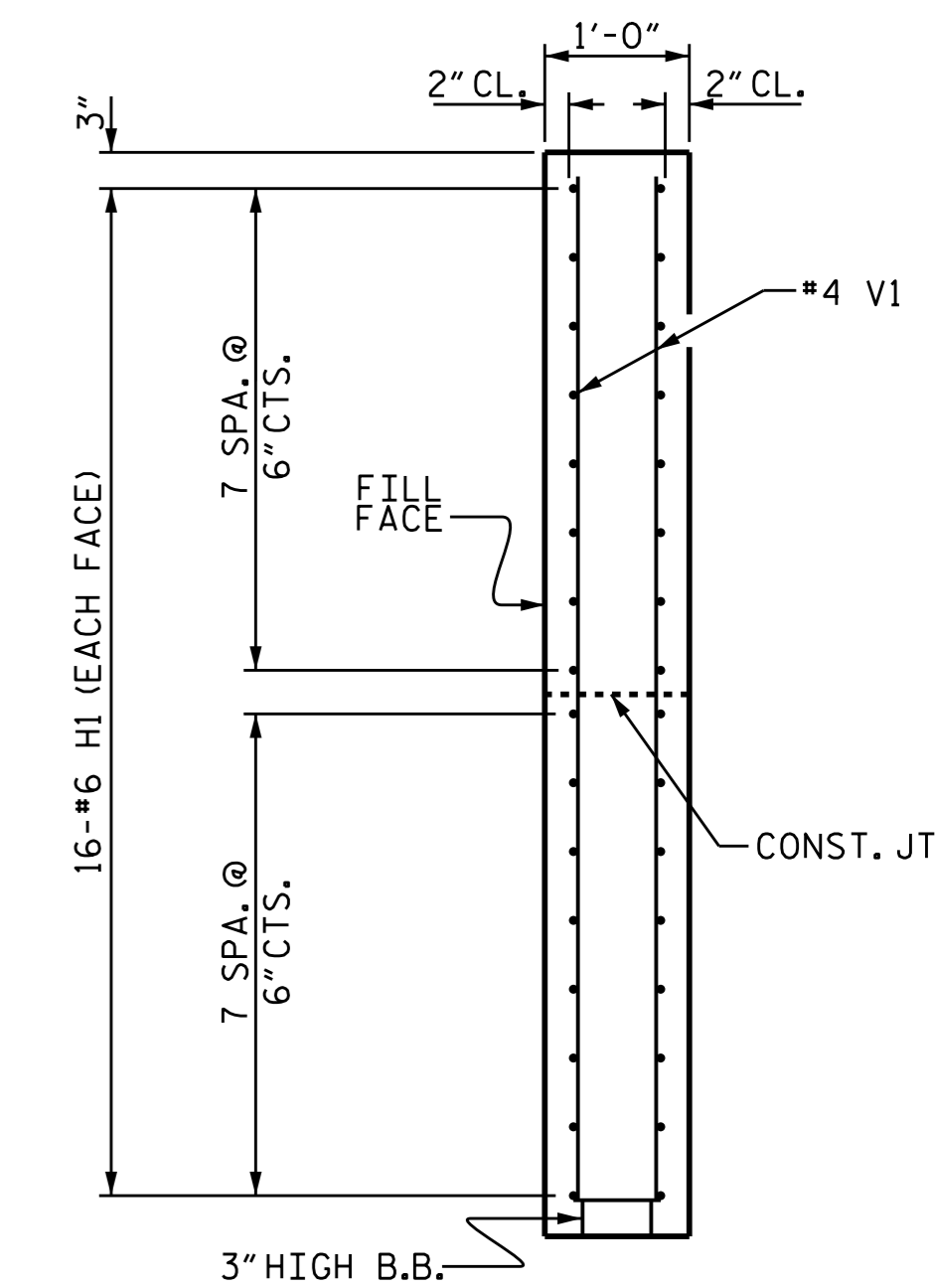


ELEVATION OF WING (W1)



ELEVATION OF WING (W2)

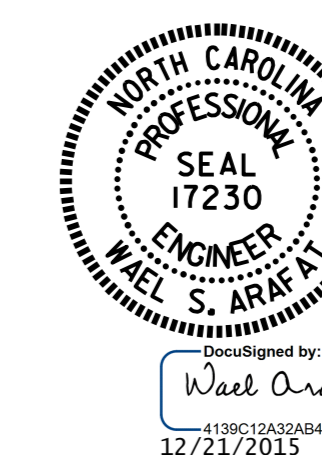
WING DETAILS



SECTION Y-Y

PROJECT NO. B-5173
 SURRY COUNTY
 STATION: 17+22.00 -L-

SHEET 3 OF 4



STATE OF NORTH CAROLINA
 DEPARTMENT OF TRANSPORTATION
 RALEIGH
 SUBSTRUCTURE
 END BENT
 WING DETAILS

DRAWN BY: H. T. BARBOUR DATE: 5-22-15
 CHECKED BY: V. X. NGUYEN DATE: 8-15
 DESIGN ENGINEER OF RECORD: A. M. LEE DATE: 10-15

DOCUMENT NOT CONSIDERED
 FINAL UNLESS ALL
 SIGNATURES COMPLETED

REVISIONS					
NO.	BY:	DATE:	NO.	BY:	DATE:
1			3		
2			4		

SHEET NO.
 S-15
 TOTAL SHEETS
 18