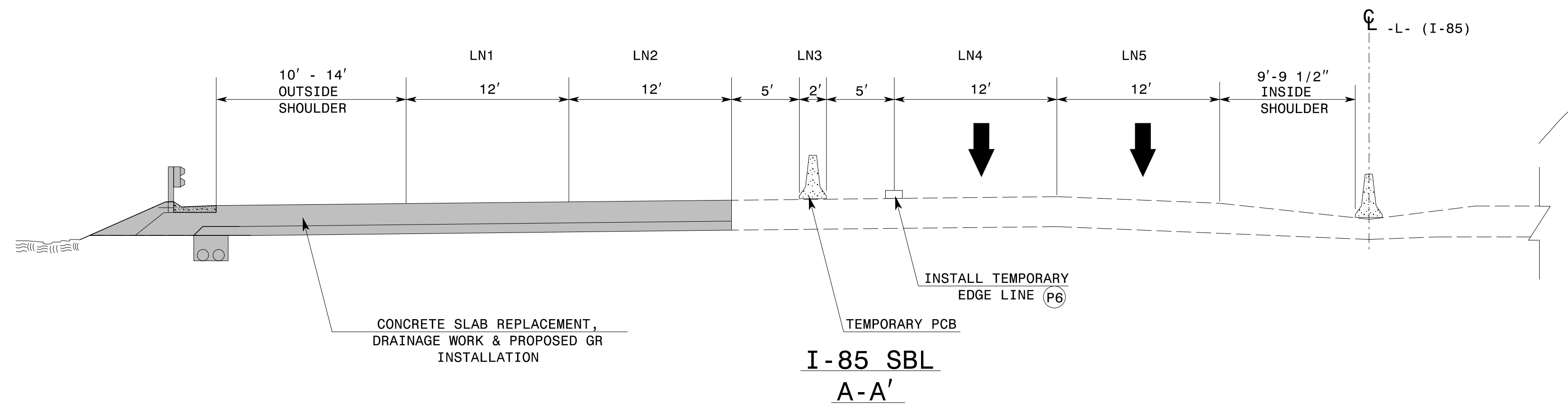


NOTES:

1. REFER TO RSD 1101.02, SHEETS 4, 8 AND 9 OF 15, AND SHEET TMP-9 FOR ADDITIONAL TRAFFIC CONTROL DEVICES, SIGN DISTANCES AND GENERAL NOTES.
2. COORDINATE WITH STATEWIDE TRANSPORTATION OPERATION CENTER REGARDING PUBLIC INFORMATION OF UTILIZING ALTERNATE ROUTE FOR I-85 TRAFFIC VIA I-40 AND I-77 WHILE PROJECT IS COMPLETED.
3. COORDINATE WITH THE ENGINEER FOR LOCATION OF CMS'S



APPROVED: *David Bisette*
 ECDC080817545C
 DATE: 12/17/2015

PROFESSIONAL SEAL
 030864
 ENGINEER
 DAVID W. BISSETTE



**I-85 SB
 TRIPLE LANE CLOSURES
 DETAIL 1**

12/16/2015
 P:\Projects\I-85\TrafficControl\TC\I-85_SBL_TMP_6.dgn
 User:slvudm1