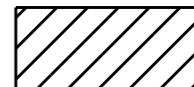
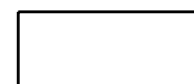



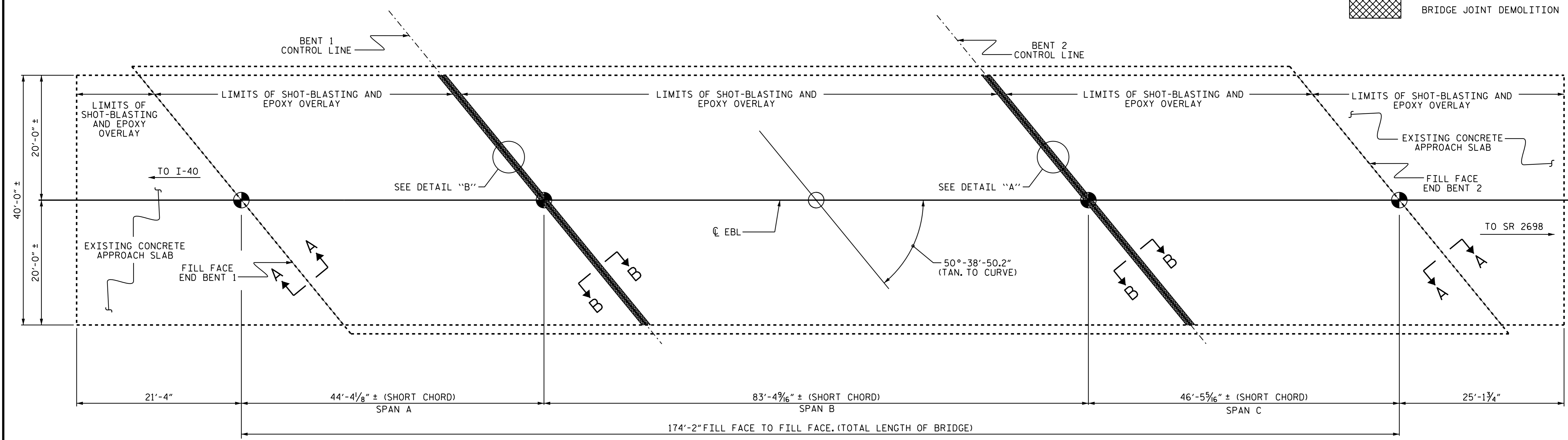
SUMMARY OF QUANTITIES

	ESTIMATE	ACTUAL
CONCRETE DECK REPAIR FOR EPOXY OVERLAY	*5.0 SQ. FT.	
BRIDGE JOINT DEMOLITION	90 SQ. FT.	
EPOXY OVERLAY SYSTEM	8784 SQ. FT.	

NOTE:

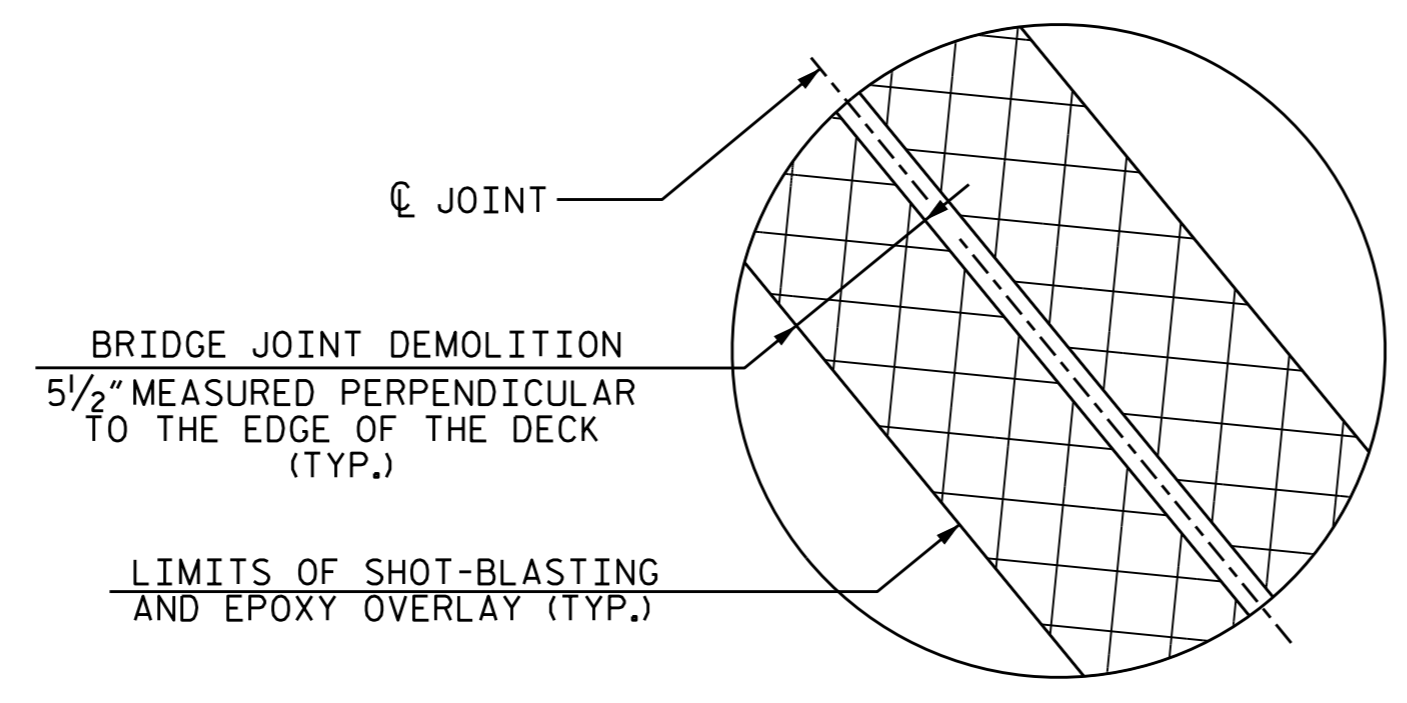
FOR BRIDGE JOINT DEMOLITION, SEE "JOINT DETAILS" SHEET.
 FOR SECTIONS A-A AND B-B, SEE "JOINT DETAILS" SHEET.
 * CONCRETE DECK REPAIR FOR EPOXY OVERLAY IS NOT ANTICIPATED, TOKEN PAY ITEMS ARE INDICATED FOR PRICING PURPOSE IN CASE UNANTICIPATED REPAIR AREA ARE ENCOUNTERED.

-  CONCRETE DECK REPAIR FOR EPOXY OVERLAY
-  EPOXY OVERLAY
-  BRIDGE JOINT DEMOLITION



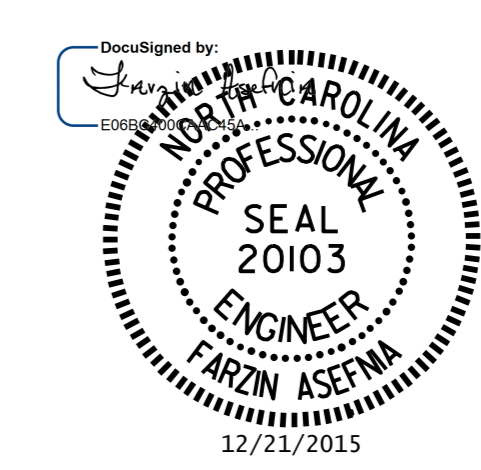
PLAN

PROJECT NO. I-5767
 FORSYTH COUNTY
 BRIDGE NO. 396 (EBL)



DETAIL "B"

DRAWN BY : J.D. HAWK DATE : 10/15/15
 CHECKED BY : F. ASEFNIA DATE : 11/15



STATE OF NORTH CAROLINA
 DEPARTMENT OF TRANSPORTATION
 RALEIGH

SURFACE PREPARATION AND EPOXY OVERLAY

REVISIONS						SHEET NO. S-6
NO.	BY:	DATE:	NO.	BY:	DATE:	
1			3			TOTAL SHEETS 7
2			4			