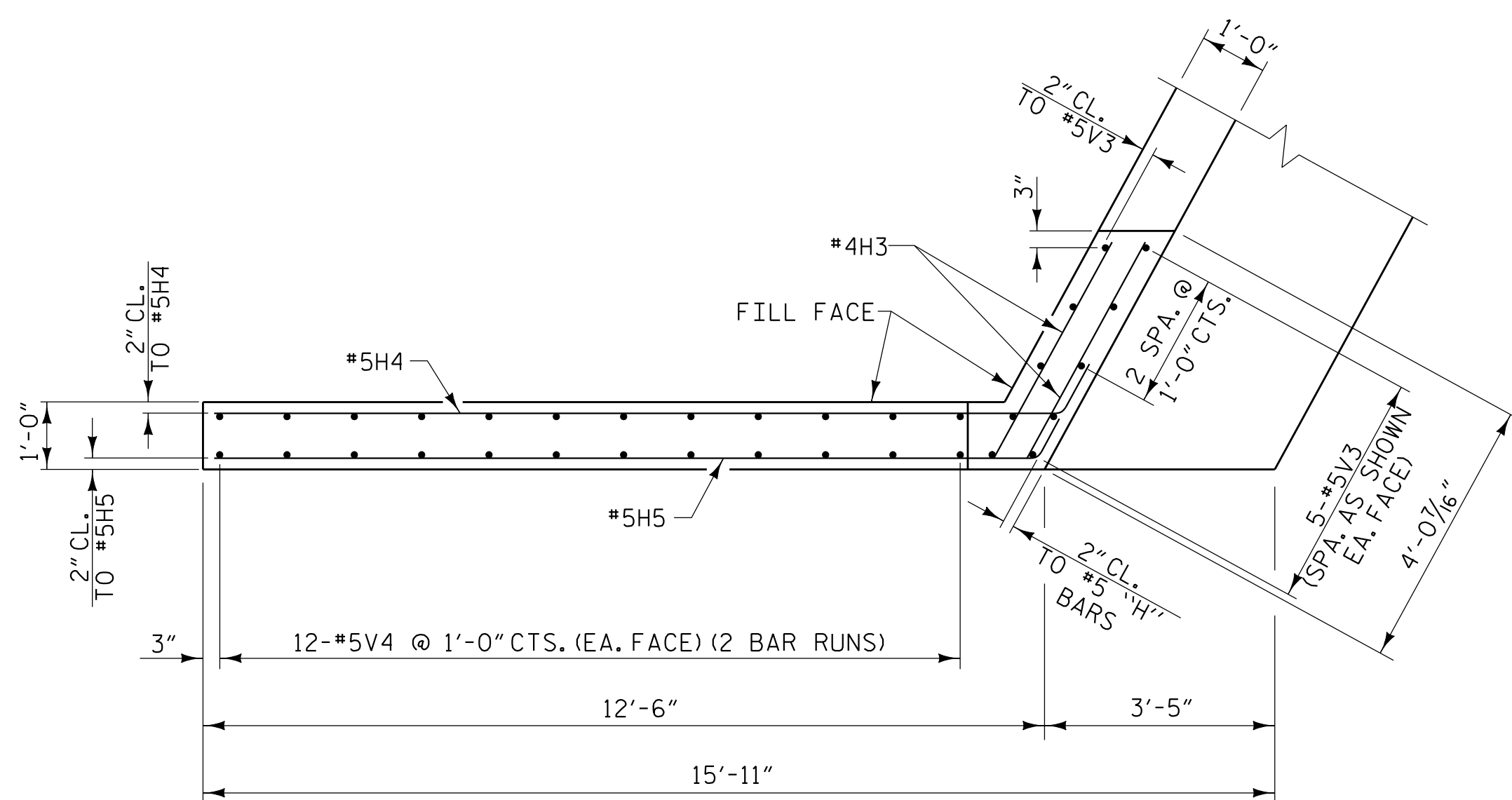
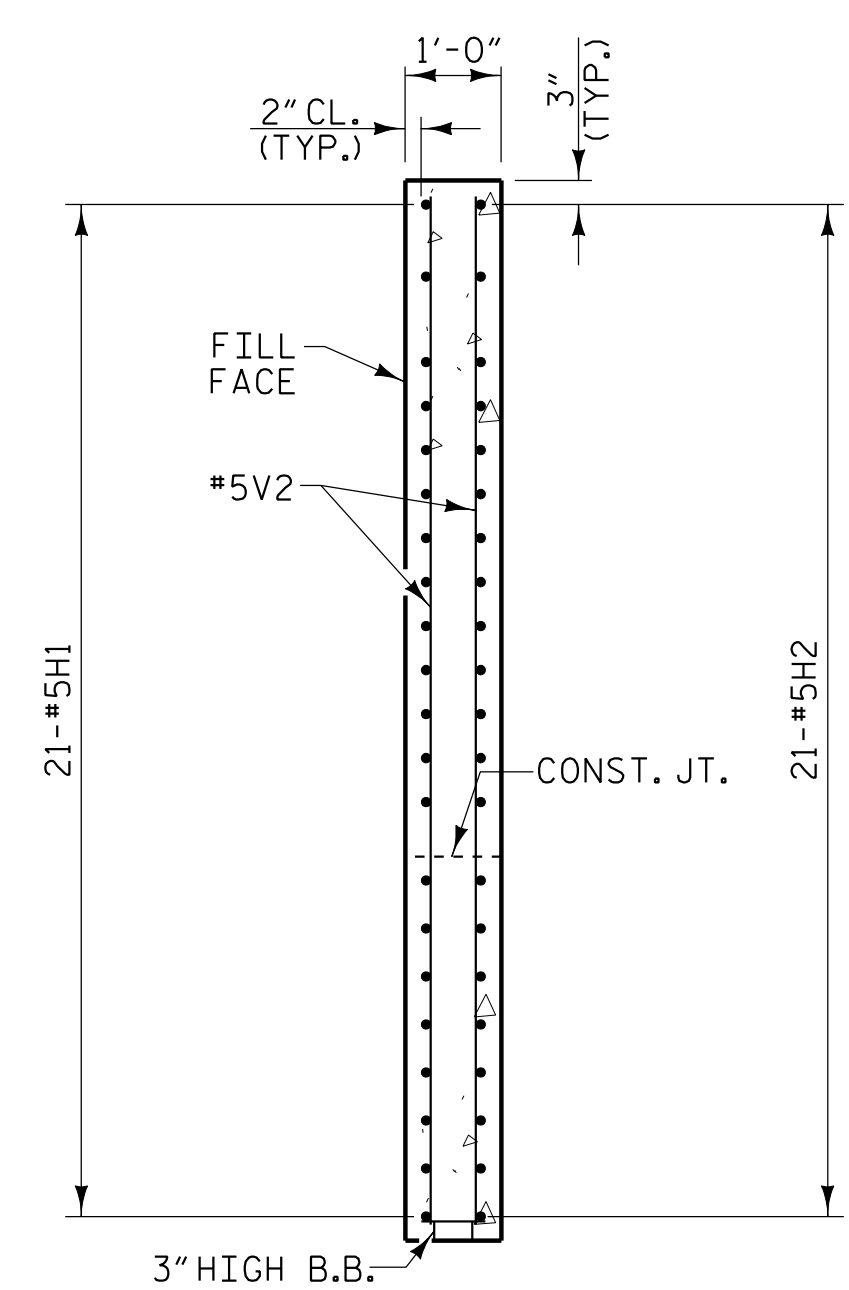


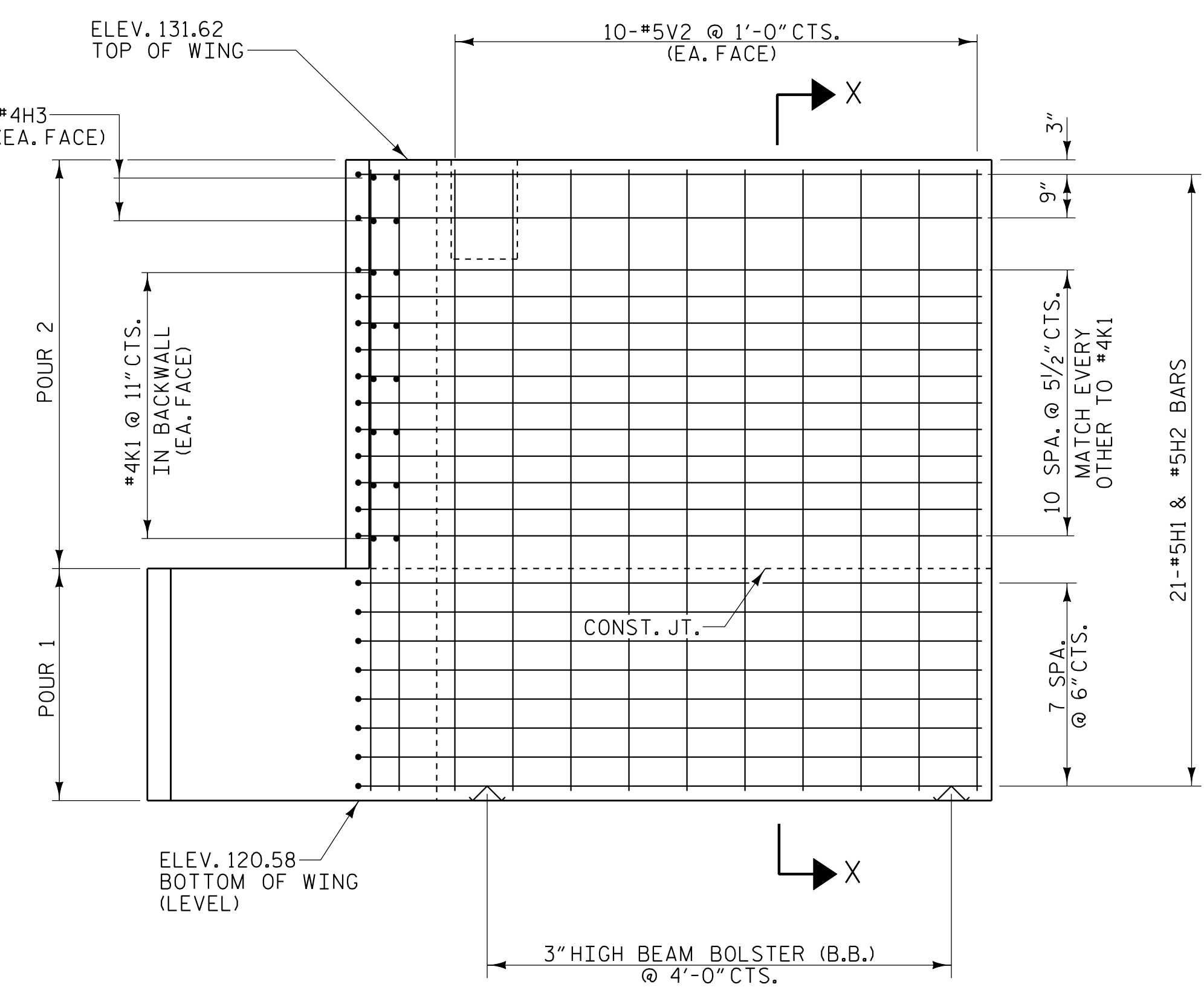
PLAN OF LEFT WING - W1



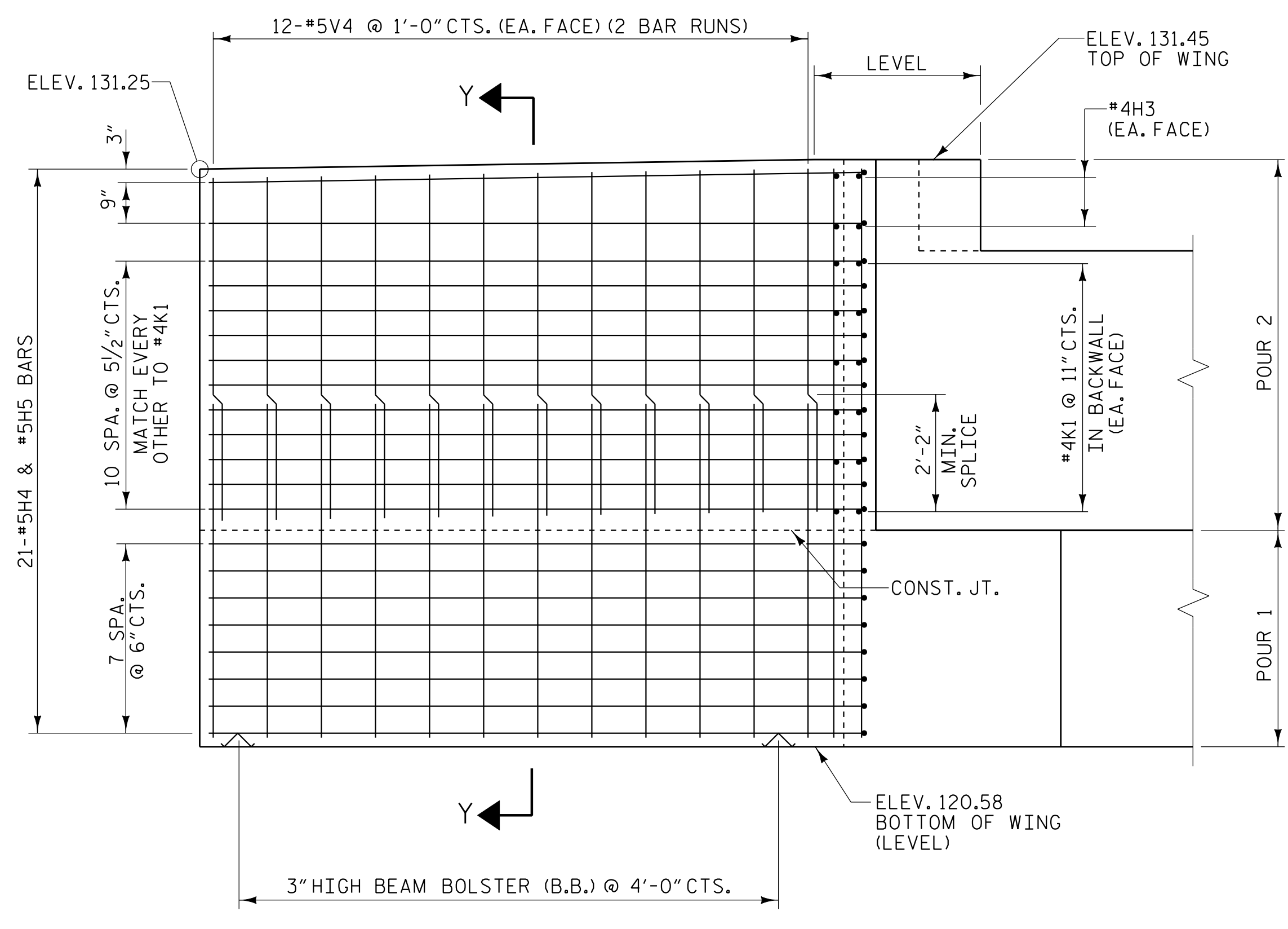
PLAN OF RIGHT WING - W2



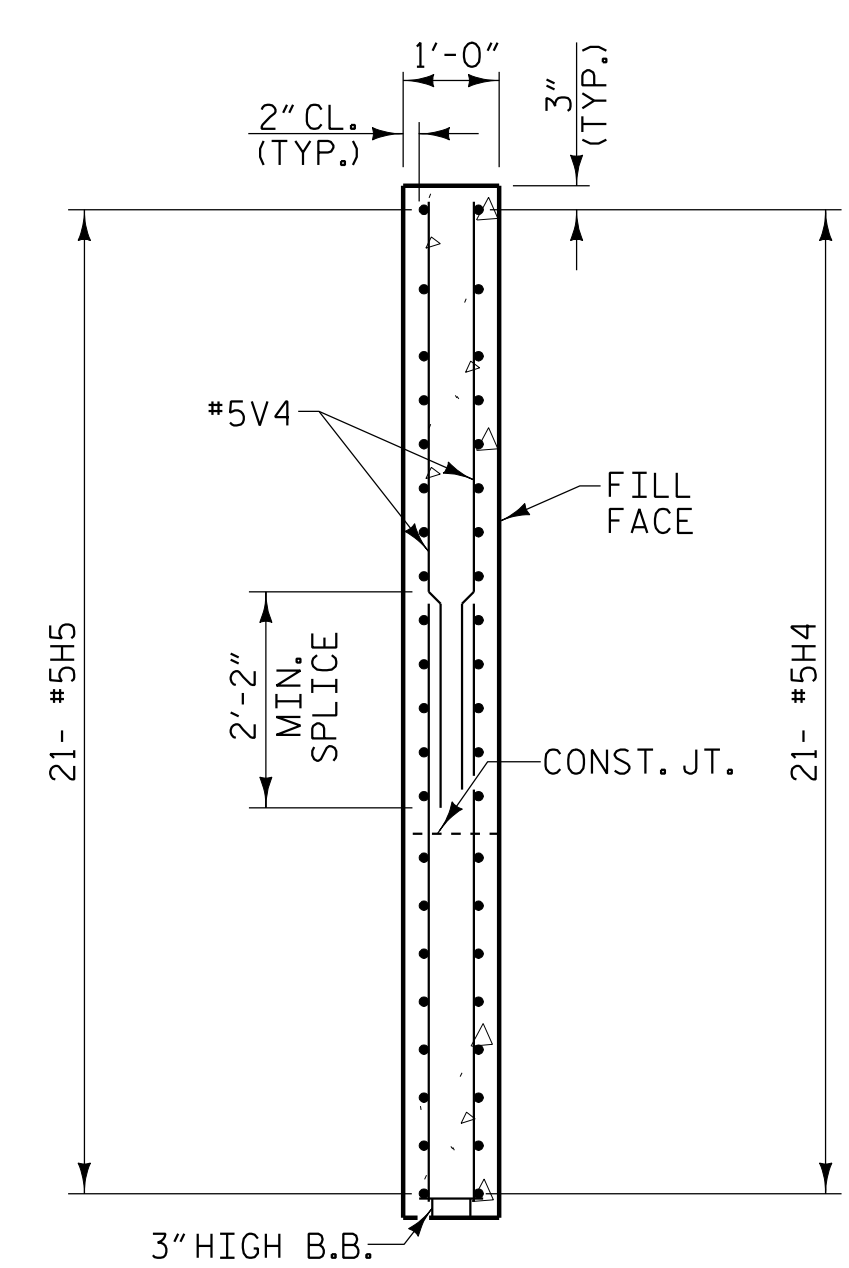
SECTION X-X



ELEVATION OF LEFT WING - W1



ELEVATION OF RIGHT WING - W2

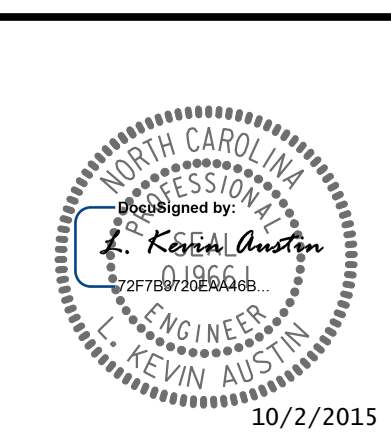


SECTION Y-Y

PROJECT NO. W-5518
 COLUMBUS COUNTY
 STATION: 24+06.36 -L- POT

SHEET 2 OF 3
 DEPARTMENT OF TRANSPORTATION
 RALEIGH
 SUBSTRUCTURE
 END BENT 1

DRAWN BY: W. B. ALLEN DATE: 2/15
 CHECKED BY: Z. H. BROWN DATE: 3/15
 DESIGN ENGINEER OF RECORD: L. K. AUSTIN DATE: 8/15



REVISIONS						SHEET NO.	
NO.	BY:	DATE:	NO.	BY:	DATE:	S-23	
1			3			TOTAL SHEETS	
2			4			33	

10/2/2015 1:43:25 PM RA:\Structures\W5518-SMU-EL-02.dgn